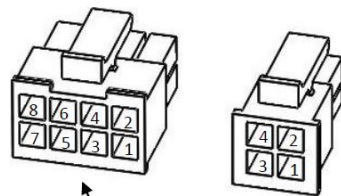
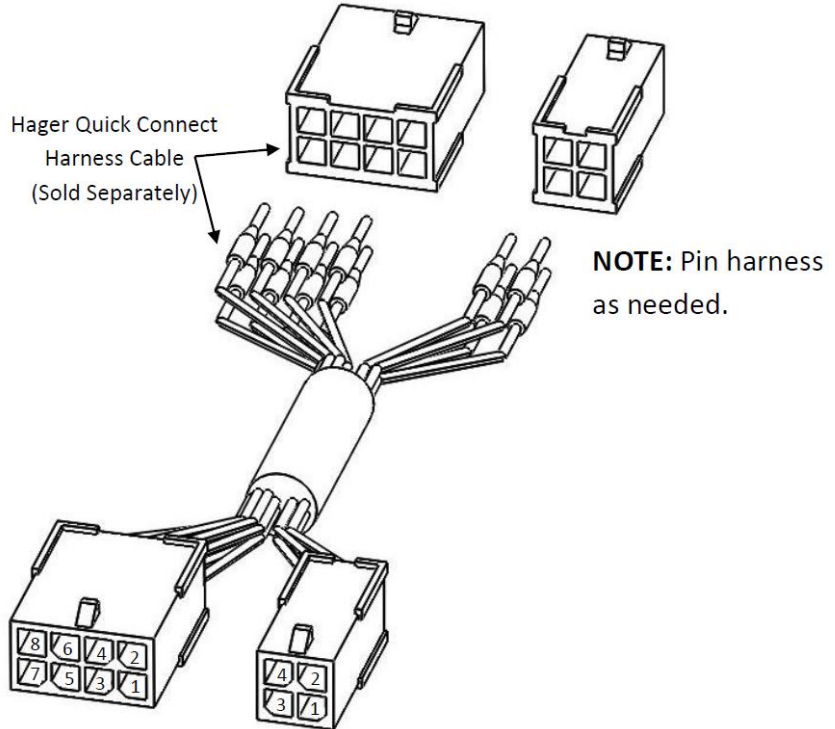


QUICK CONNECTS

- Quick connects are installed on the wires from the mortise lock electrification options. These quick connects are compatible with Hager Quick Connect Harness Cable which can be used to plug into Hager hinges with quick connects to provide quick and accurate wiring of the door.

Quick Connect Harness Cable Pinning	
8 Pin	Wire Color
Pin #1	Black
Pin #2	Red
Pin #3	White
Pin #4	Green
Pin #5	Orange
Pin #6	Blue
Pin #7	Brown
Pin #8	Yellow
4 Pin	Color
Pin #1	Violet
Pin #2	Gray
Pin #3	Pink
Pin #4	Tan



Hager 3800 Mortise Lock Quick Connect Terminals

3800 Quick Connect Pinning		
8 Pin	Function	Wire Color
Pin #1	Power*	Blue
Pin #2	Power*	Blue
Pin #3	RX (Com)	Yellow
Pin #4	RX (N/O)	Red
Pin #5	RX (N/C)	Gray
Pin #6	DPM (Com)	White
Pin #7	DPM (N/O)	Red
Pin #8	DPM (N/C)	Green
4 Pin	Function	Color
Pin #1	Blank	Blank
Pin #2	LM (Com)	Black
Pin #3	LM (N/O)	White
Pin #4	LM (N/C)	Red