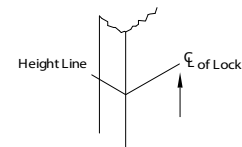


Function	Installation Steps
3830	1, 2, 3, 4, 7
3831	1, 2, 4, 7
3832	1, 2, 3, 5, 7
3833	1, 2, 3, 6, 7
3834	1, 2, 3, 7

1. PREPARE DOOR AND JAMB

A. Mark lockset centerline.

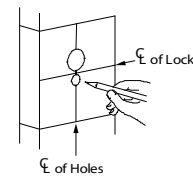
1. Measure desired height from finished floor.
2. Mark centerline on both faces and edge of door.



CAUTION: The outside and inside of the door may require different preparation. Use proper template for outside (exterior or corridor) and inside of door.

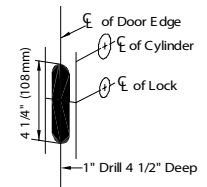
B. Mark trim drill points.

1. Align centerline of door template with centerline mark on door edge.
2. Based on the function of the lock, mark position of drill points.



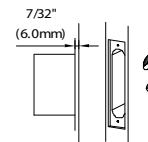
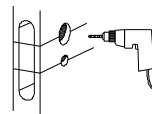
C. Mortise door edge for wood doors.

1. Align template with centerline of door edge.
2. Mark and drill two (2) 1" diameter holes, 4-1/2" deep.
3. Remove remaining wood until the mortise is 1" wide by 4-1/4" high by 4-1/2" deep.



D. Drill trim holes.

Note: To prevent splintering or damaging of doors, drill through holes halfway from each side of the door.

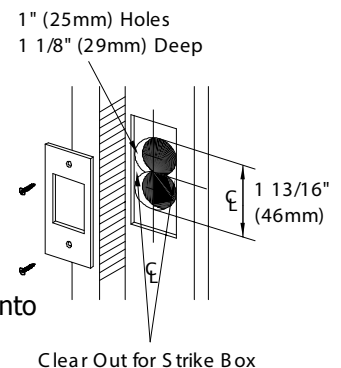


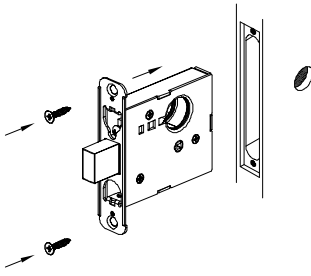
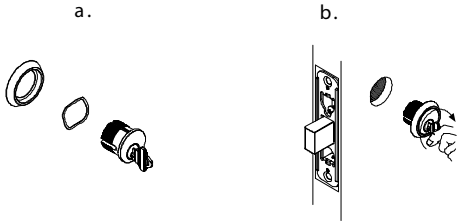
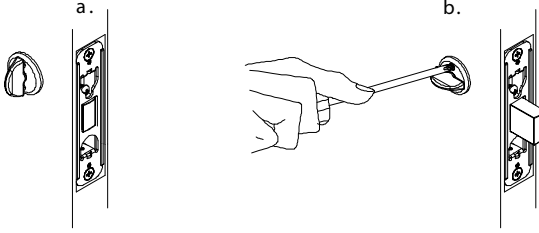
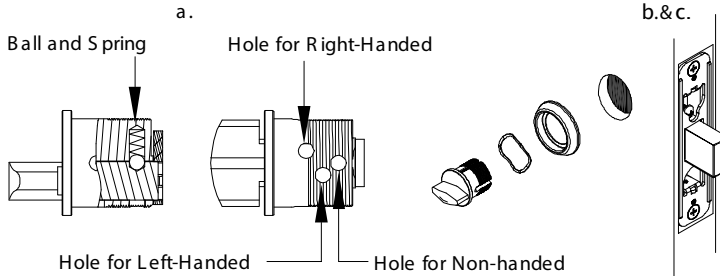
E. Create a recess for the lock face.

The standard recess is 1-1/4" x 5-19/32" x 7/32".

F. Install strike.

1. Align centerline of strike template with the centerline marked on doorjamb.
2. Bore 1" diameter holes into doorjamb, 1-1/8" deep.
3. Recess 5/32" for a flush fit of the strike box.
(Additional recess is required when using strike reinforcement).
4. Using a Philips screwdriver and two (2) strike mounting screws, install strike into doorjamb.



<p>2. INSTALL LOCK CASE</p> 	<p>3. INSTALL OUTSIDE FULL FACE CYLINDER</p> <p>A. Assemble cylinder. B. Using a partially inserted key, screw the cylinder into the lock case.</p> 
<p>4. INSTALL THUMBTURN</p> <p>A. Insert the thumbturn in the vertical position. B. Throw deadbolt, install two (2) thumbturn mounting screws.</p> 	<p>5. INSTALL INSIDE FULL FACE CYLINDER</p> <p>Follow Step 3.</p>
<p>6. INSTALL CYLINDER TURN</p>	<p>7. INSTALL ARMOR FRONT</p>
<p>A. Change cylinder turn handing (if needed) and move ball and spring to appropriate hole. B. Assemble cylinder turn. C. Screw cylinder turn into lock case.</p>  <p>Ball and Spring Hole for Right-Handed Hole for Left-Handed Hole for Non-handed</p>	<p>A. If needed, tighten the cylinder anchor screw until hand-tight. B. Tighten the two (2) lock case mounting screws. C. Place armor front in position and install two (2) armor front screws.</p> 