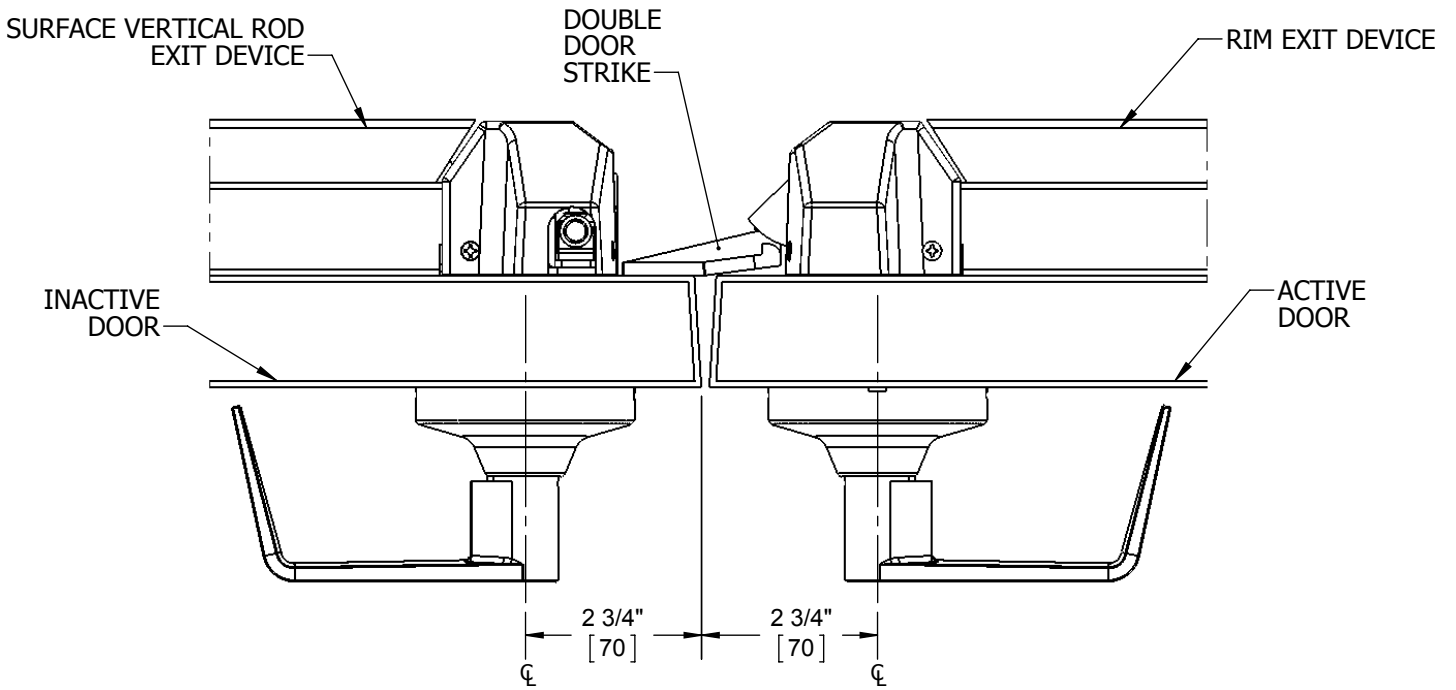
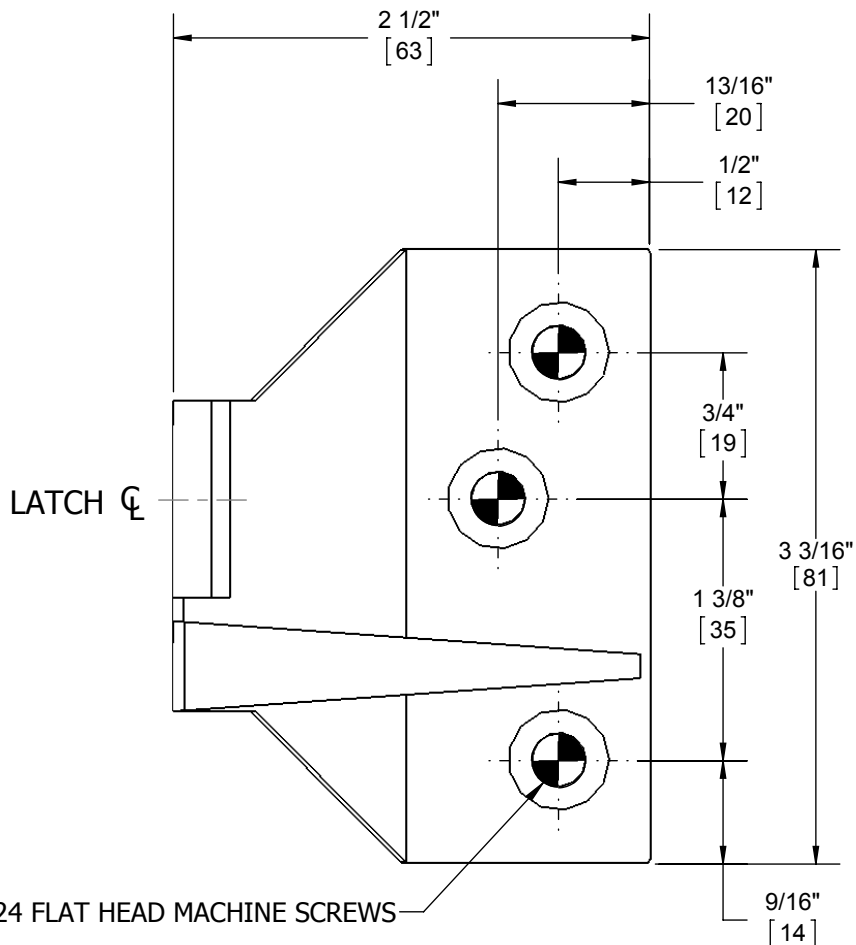


4911 INSTALLATION INSTRUCTIONS

DOUBLE DOOR STRIKE WITHOUT MULLION



THE 4911 DOUBLE DOOR STRIKE IS FOR A PAIR OF DOORS WITHOUT A MULLION AND WITH A RIM EXIT DEVICE AND A VERTICAL ROD EXIT DEVICE. THESE DEVICES ARE MOUNTED WITH A 2-3/4" BACKSET. THE STRIKE IS TO BE MOUNTED ON THE INACTIVE DOOR, AND TO WORK IN CONJUNCTION WITH THE ACTIVE DOOR.



NOTE: DRILL HOLES FOR #10 X 1" WOOD SCREWS ON WOOD OR NON-REINFORCED HOLLOW METAL DOORS.

DRAWING NO: I-ED01819

REV: -

SHEET 1 OF 1

HAGER COMPANIES 139 Victor Street, St. Louis, MO 63104 - (800) 325-9995 - Fax (800) 782-0149

