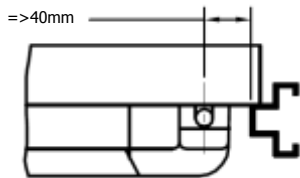
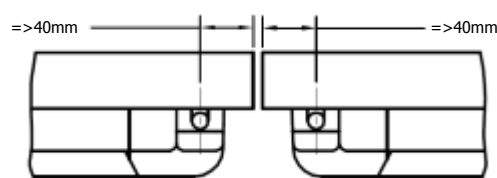


Vertical Centerline

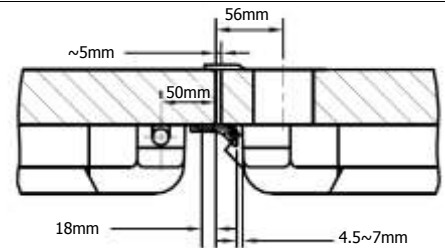
Single Device



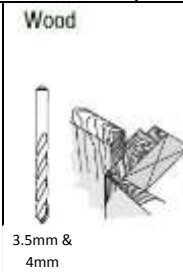
Two Vertical Rod Devices



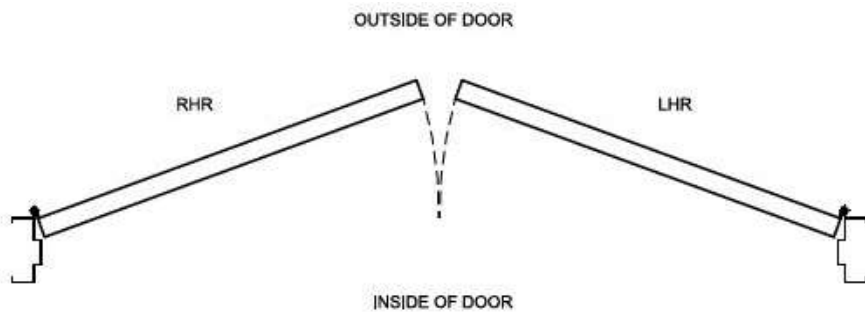
Vertical Rod and Rim Device



Tools and Hardware Required



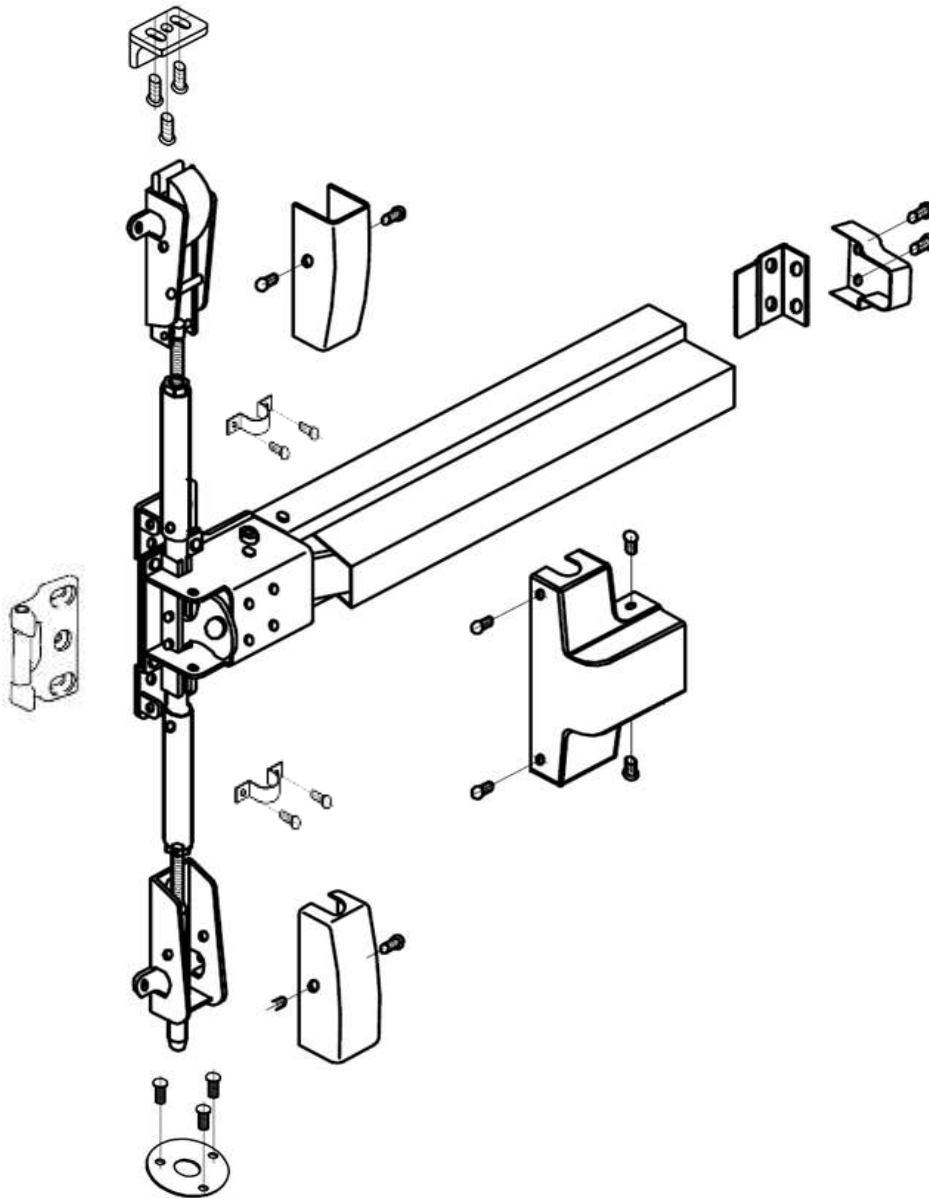
Door Handing



Horizontal Centerline



Box Contents

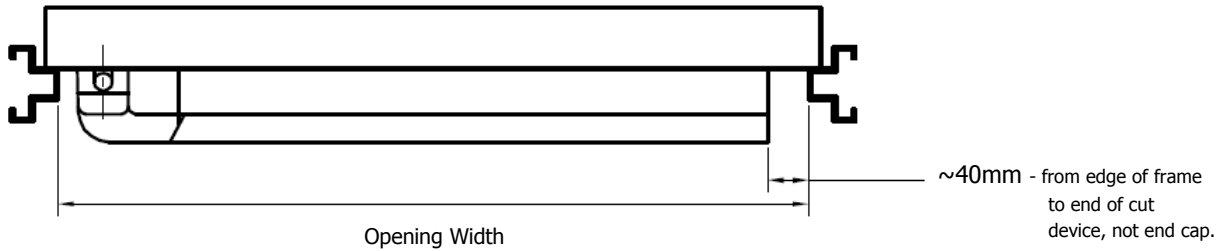


Fasteners and Other Parts Included	Qty.	Purpose
M5 - 0.8 x 25mm Round Head Machine Screws	6	Mount the Device Head and End Cap to a wood or metal frame.
M5 - 0.8 x 35mm Sex Nut (7.5mm Sleeve Dia)	6	Mount the Device Head and End Cap to a wood or metal frame.
M5x25mm Round Head Wood Screw	6	Mount the Device Head and End Cap to a wood frame.
M5 - 0.8 x 12mm Flat Head Machine Screws	3	Mount Strike for Double Door With Rim and SVR Exit Devices on Metal Door
M5x25mm Flat Head Wood Screw	3	Mount Strike for Double Door With Rim and SVR Exit Devices on Wood Door
M5 - 0.8 x 10mm Round Head Machine Screws	9	Mounting Both Latches and Top Strike on Metal Door and Frame
M5x25mm Round Head Wood Screw	9	Mounting Both Latches and Top Strike on Wood Door and Frame
M4x21mm Flat Head Wood Screw	3	Mounting Bottom Strike
M3.5 x 10mm Round Head Wood Screw	4	Used to Mount Vertical Rod Mounts to Wood or Metal Door.
Vertical Rod Mounts	2	Used to Hold Vertical Rods Vertically
M3.2 x 20mm Cotter Pins	2	For Fastening Vertical Rods to Head Unit Slide Bar

1. Prep Exit Device For Door Size

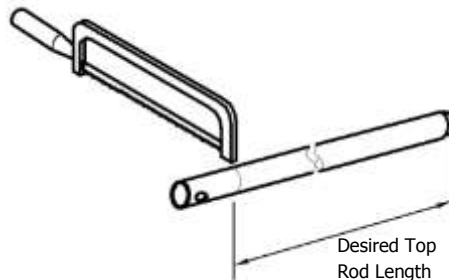
1) Prep for door width.

- a. The 4' exit device will work for openings from widths of 650mm to 1828mm. However, for openings narrower than 1100mm, the device must be cut.
- b. The 3' exit device will work for openings from widths of 650mm to 1524mm. However, for openings narrower than 890mm, the device must be cut.
- c. The recommended overall length of the exit device, for a standard single door, is equal to the opening width minus 80mm. Cut with a hack saw or metal cutting saw blade and deburr edges (do not grind cut as this may damage the finish).

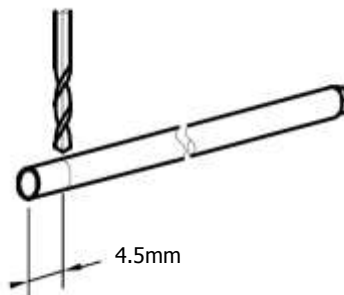


2) Prep for door height.

- a. The 4'x8' exit device comes out of the box prepped for a door height of 2439mm. For doors shorter than 2439mm in height, the top rod must be cut down.
 - i. To determine the top rod length for a 4'x8' exit device, first measure the door height and subtract it from 2439mm. Then subtract the answer from 1245mm, this answer is the desired top rod length. Example for 2000mm tall door; $2439-2000=439$, $1245-439=806$, desired top rod length would be 806mm.
- b. The 3'x7' exit device comes out of the box prepped for a door height of 2134mm. For doors shorter than 2134mm in height, the top rod must be cut down.
 - i. To determine the top rod length for a 3'x7' exit device, first measure the door height and subtract it from 2134mm. Then subtract the answer from 940mm, this answer is the desired top rod length. Example for 2000mm tall door; $2134-2000=134$, $940-134=806$, desired top rod length would be 806mm.
- c. Mark the rod to required length and cut at marked spot. Keep in mind that the rod must be measured from the threaded portions (DO NOT CUT THE ROD AT THE END WITH INTERNAL THREADS).

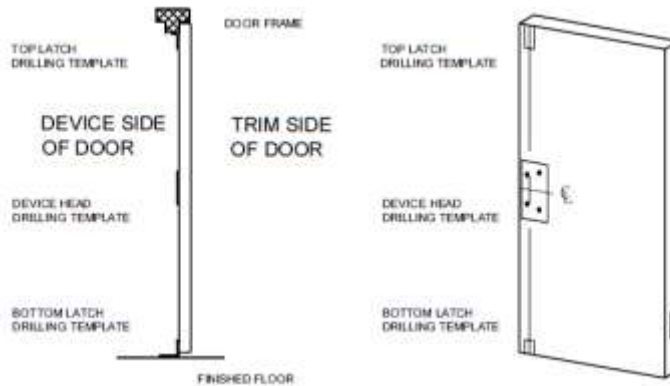


- d. Drill cotter key connection hole with a 4.0mm Dia. Drill bit 4.5mm from the end of the rod that was just cut.



2. PREPARE DOOR

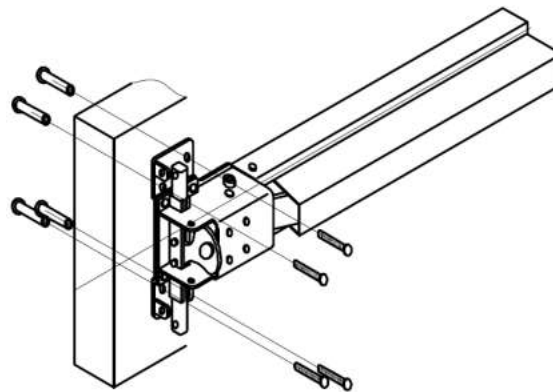
- 1) Mark vertical and horizontal centerline (Ⓢ) for desired setup using the dimensions on page 1 of this instruction set.
- 2) Tape drilling templates #T-ED01672 on the door, using the vertical and horizontal centerlines.



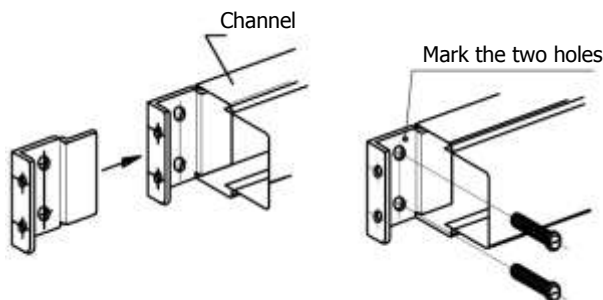
- 3) Drill holes to sizes required for desired mount hardware for device, strikes, and latches.
- 4) If using outside trim, prepare door using separate trim direction sheet provided with trim.

3. Hardware Installation

- 1) If using outside trim, mount trim per directions in trim box.
- 2) Fix device with provided Sex Bolts and Through Bolts or Mounting Screws.

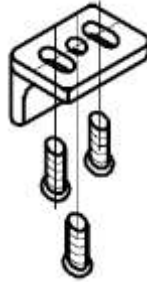


- 3) Install end cap mounting bracket with provided Sex Bolts and Through Bolts or Mounting Screws.
 - Slide mounting bracket into push bar channel.
 - Level the device.
 - Mark mounting holes, and prepare the holes by drilling the appropriate sized holes based on mounting hardware used.
 - Install mounting bracket with hardware that was prepped for.

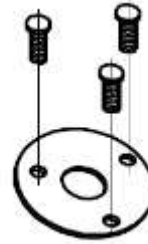


- 4) Install the top and bottom strike in the locations previously prepared with mounting screws.
- Install the top strike with just the outer screws at first.

Top Strike

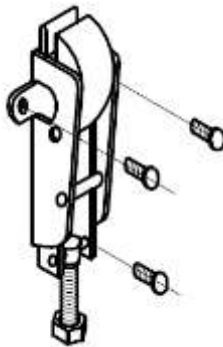


Bottom Strike

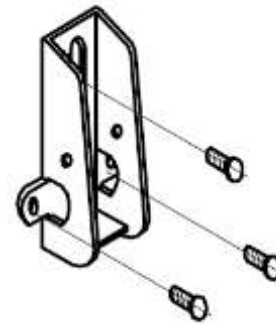


- 5) Install top and bottom latches in the locations previously prepared with mounting screws.

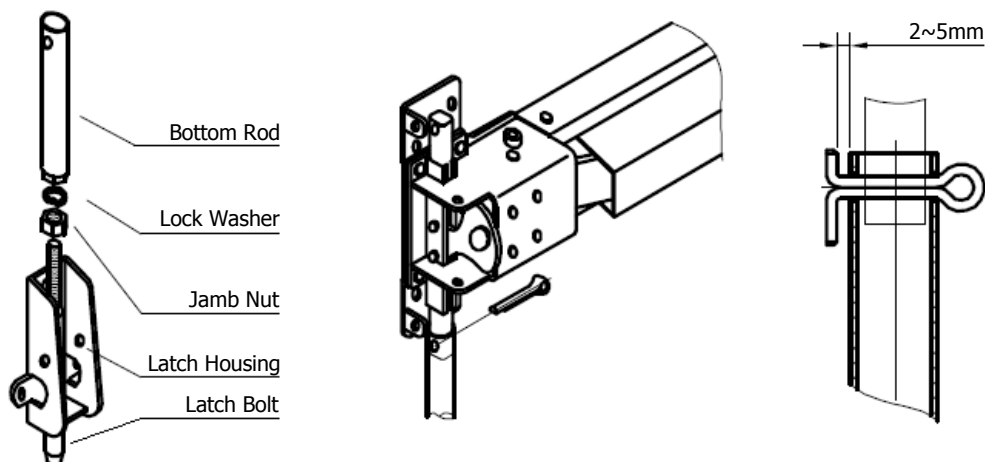
Top Latch



Bottom Latch

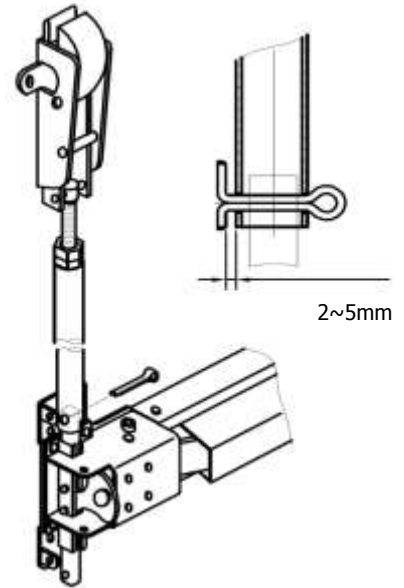


- 6) Install Bottom Rod
- Screw the bottom latch bolt fully into the bottom rod with a jamb nut and lock washer on the strike.
 - Insert the bottom latch bolt into the bottom latch housing.
 - Press in the push bar to raise the slide bar in the housing and slide the rod over the slide bar.
 - Align the hole in the bottom rod with the hole in the slide bar and insert and tighten the cotter key.
 - Adjust the latch bolt so that when the push bar is pressed that there is a gap of 2mm between the bottom of the latch bolt and the top of the strike as shown in template T-ED01672.



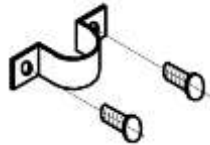
7) Install Top Rod

- Screw the top rod onto the top latch bolt until the lower part of the rod can clear the housing slide bar.
- Unscrew the top rod from the top latch bolt while guiding the lower part of the rod over the housing slide bar until the hole in the rod lines up with the hole in the slide bar.
- Insert the cotter key, but do NOT tighten the cotter key.
- Test device to make sure the top rod locks and unlocks smoothly. Also test the device to make sure the door opens and closes smoothly with the top latch fully engaging.
- If the device operates as desired, tighten the cotter key and drill and install the top strike middle screw.
- If the device does NOT operate as desired, remove the cotter key and adjust the rod by screwing it to raise or lower it as needed or adjust the top strike depending on what is causing the improper operation. Repeat steps C&D until it operates as desired.



8) Install Rod Guides

- Attached the rod guides to the rod, equidistant between the latches and device head. Drill the holes with ___mm bit, and mount with provided screws. The rod guide should not block movement of the rod.



9) Apply Covers

- Attach Head Assembly, End Cap, and Latch Covers with provided M4x8 screws.