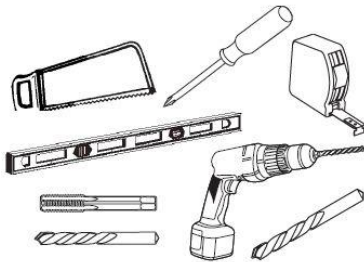


DEVICES COVERED IN THIS DOCUMENT:

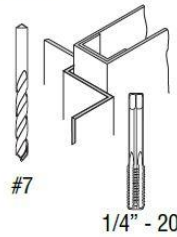
4500 MORTISE LOCK EXIT DEVICE



**TOOLS REQUIRED**



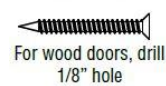
**Metal**



**Wood**



**Wood and Metal  
Screws**



**Machine Screws**



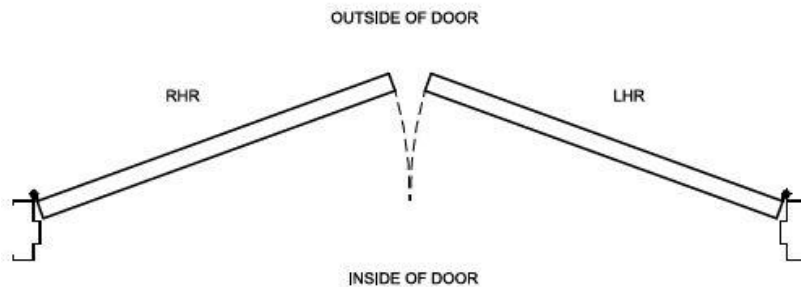
**Sex Bolts**

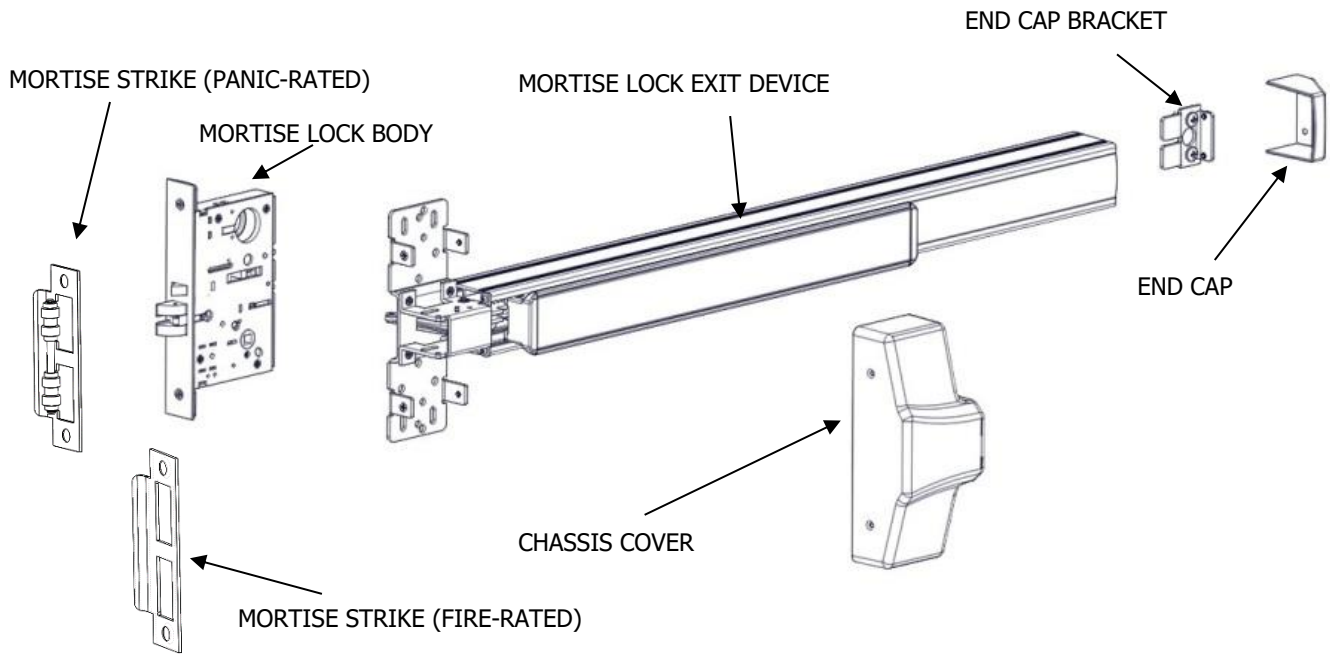


Drill 5/16\" data-bbox="789 586 923 619"/>

Check building and fire codes to see if your application requires the use of sleeve nuts and bolts.

**DOOR HANDING**

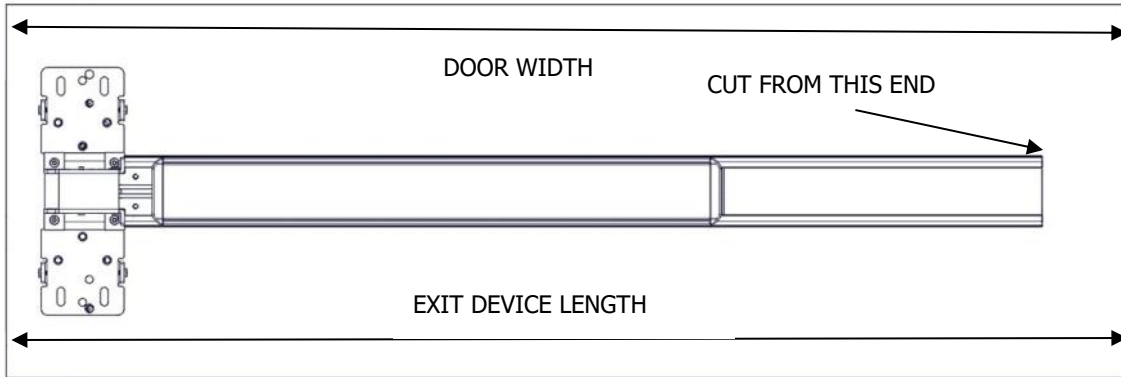




Fasteners and Other Parts Included	Qty.	Purpose
1/4"-20 x 3/4" Pan Head Machine Screws	4	Through-bolting to wood or metal doors or surface mounting to metal doors
#12 x 1.25" Wood Screws	4	Surface mounting to wood doors
Hex Dogging Wrench	1	Used to dog the device
Mortise Lock Armor Plate	1	Protects mortise lock body
M4 x 0.7 x 6 Flat Head Machine Screw	2	Fastening the armor plate to the mortise lock
#12 Combination Wood/Metal Screw	4	Fastening the strike to the frame and the mortise lock body to the door

**1. CUT EXIT DEVICE TO LENGTH**

The exit device comes in two models, one sized for a 36" door width and one sized for a 48" door width. For other door widths, cut the exit device to the appropriate length. Recommended overall length of the exit device is equal to the door width minus 4 inches. Cut with a hack saw or metal cutting saw blade. Deburr edges.



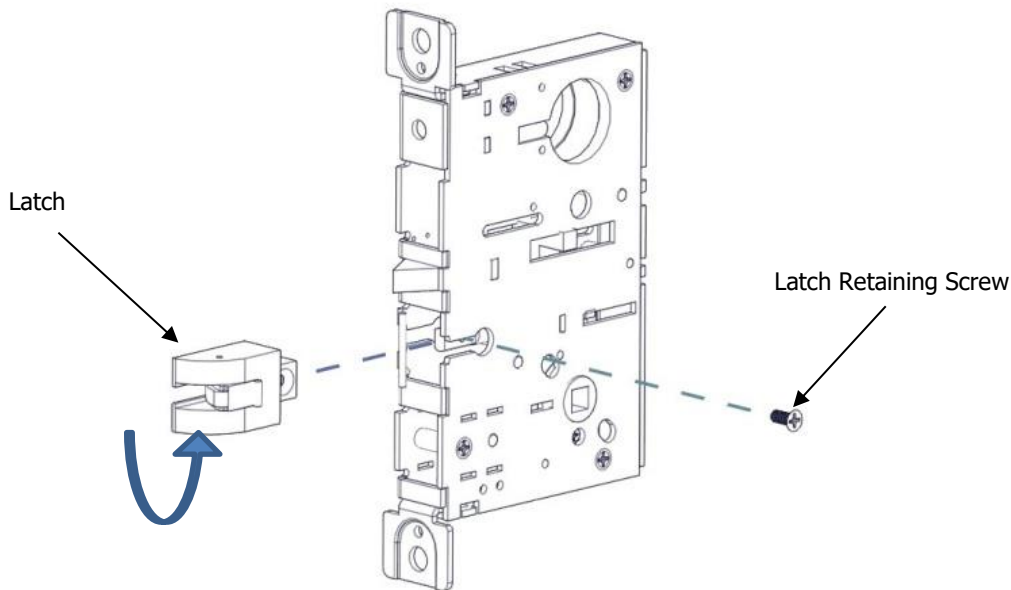
DOOR WIDTH RANGE FOR EXIT DEVICES	
36" MODEL	30"-36" DOOR WIDTH
48" MODEL	36"-48" DOOR WIDTH

**2. PREPARE DOOR**

The Hager Exit device is designed to fit a door and frame prepared for a Mortise Lock per ANSI/BHMA A156.115-2016. The holes and cutouts specifically for the Hager Mortise Lock Exit Device are shown in the template T-ED01545 and in the Door Preparation Drawing S-ED01546. See [www.hagerco.com](http://www.hagerco.com) for additional information.

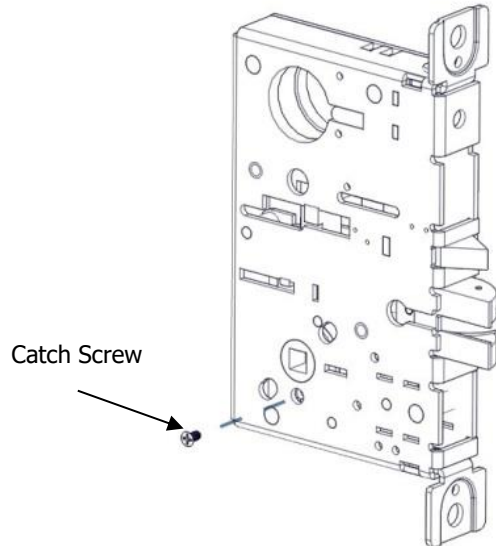
**3. SET LOCK HANDING**

Lock supplied as Left Hand Reverse from factory. To change handing of the lock body, remove the latch retaining screw. Slide the latch out of the lock, rotate the latch 180 degrees and slide it back into the lock. Reinstall latch retaining screw.



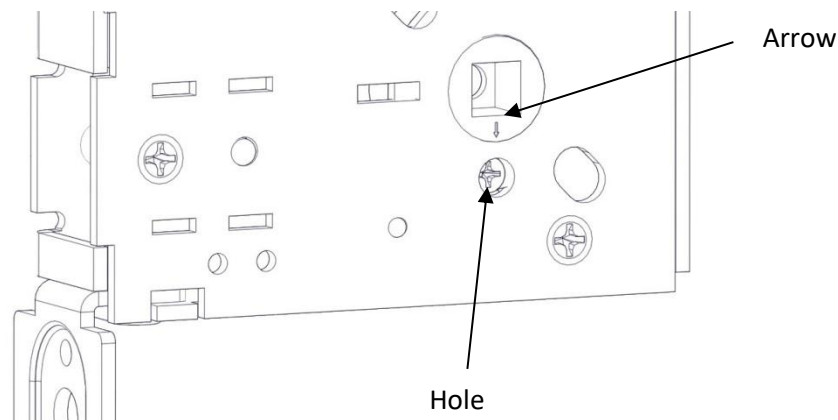
**4. SET OUTSIDE HANDING OF LOCK CASE (MB AND MC TRIM ONLY)**

Skip this step for MN and MD trim. There is a catch screw on each side of the lock body. For MB and MC trim a catch screw must be removed on the **PULL** side of the lock body. The catch screw must stay in the **PUSH** side of the lock body.



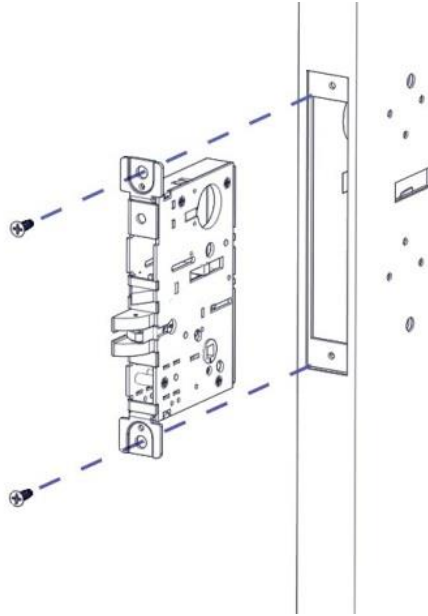
**5. SET HUB (MB AND MC FUNCTIONS ONLY)**

Check the hub of the lock case to make sure the arrow is pointing downwards toward the hole underneath it. If it is not in this position adjust it by rotating the hub until the arrow points down. This can be done by inserting the handing pin in the hub and turning it with a pair of pliers.



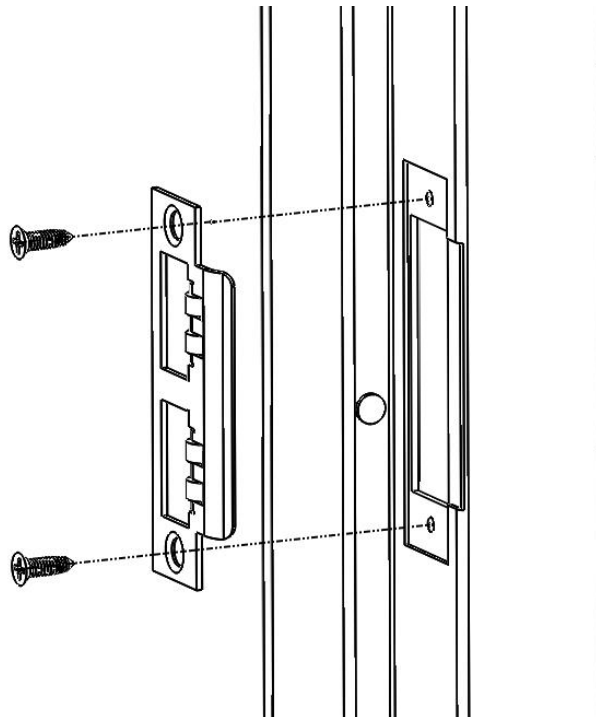
**6. INSTALL LOCK TO DOOR**

Install the lock in the door using the two supplied Wood/Metal combo screw.



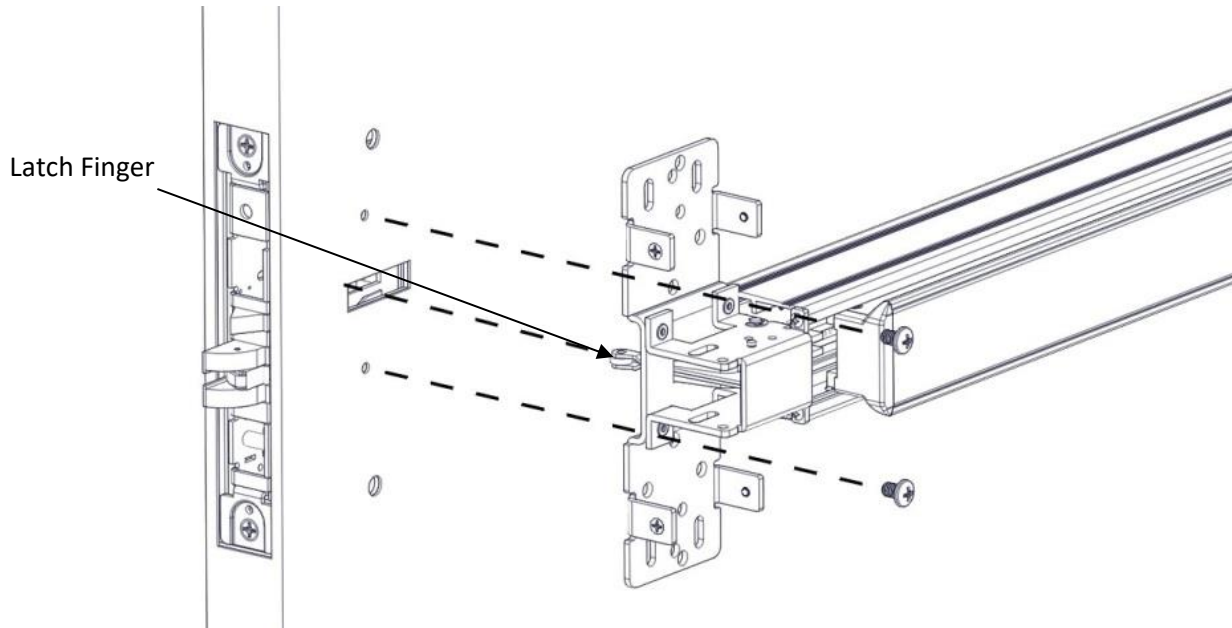
**7. INSTALL THE STRIKE IN THE FRAME**

Install the strike in the frame using the supplied #12 Wood/Metal Combination Screws.



**8. INSTALL EXIT DEVICE (METAL DOORS ONLY)**

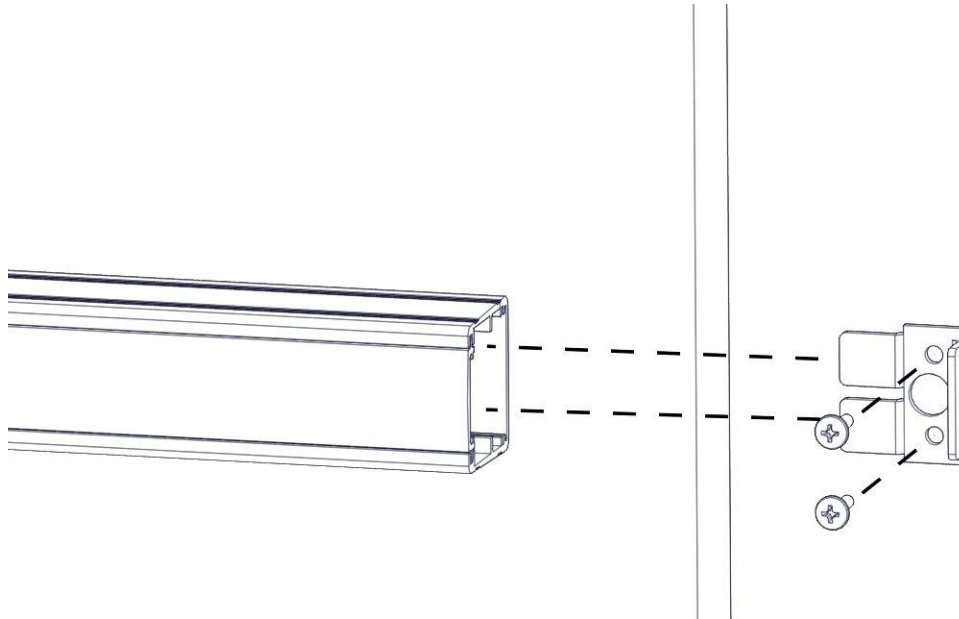
Remove the chassis cover from the exit device. Put the exit device up against the door. Make sure the Latch Finger on the exit device is inserted into the slot on the door and the mortise lock body and does not rub on the edges of the cutouts. Attach the exit device to the door with the supplied  $\frac{1}{4}$ -20 x  $\frac{3}{8}$ " Screws. Note: this is an optional step for convenience only and is not possible with wood doors.



### 9. INSTALL END CAP

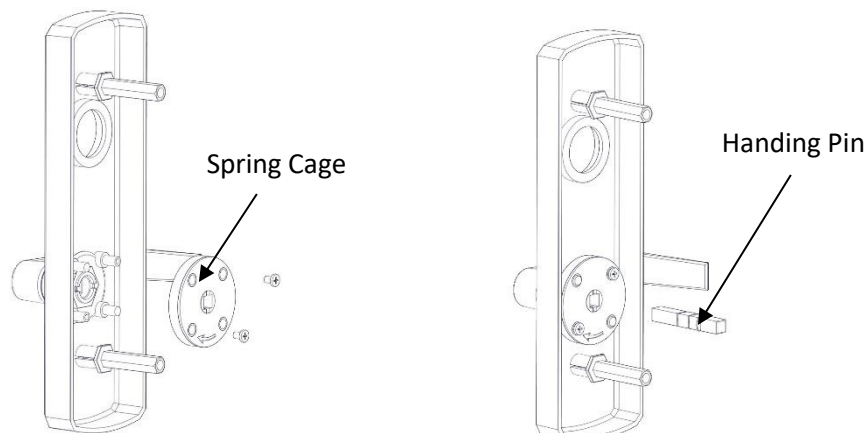
Remove end cap from end cap bracket. Mark the hole locations by holding the end cap bracket against the door. Make sure the exit device is level before inserting the end cap bracket into the end of the exit device body. Mark and drill/tap holes. Install end cap bracket and end cap using supplied screws.

- For metal doors, drill and tap for 1/4-20 machine screws.
- For wood doors, pre-drill 1/8" Diameter holes.
- For Through Bolting, drill 5/16" Diameter clearance holes on exit device side (push side) and 3/8" Diameter holes on pull side.



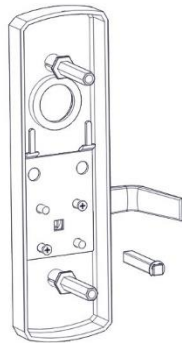
### 10. HAND TRIM (MB AND MC TRIM ONLY)

Make sure the handle is oriented to the side of the escutcheon that corresponds with the door handing. Make sure the spring cage is oriented so the arrow is pointing in the direction of the desired handle rotation. If it is not oriented properly, remove the two screws and rotate the spring cage 180 degrees and reinstall the screws. Install the handing pin.



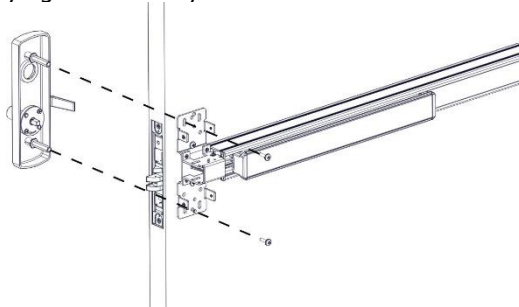
**11. HAND TRIM (MN AND MD FUNCTIONS ONLY)**

For handing the MN and MD trim there is no spring cage. Position the handle in the proper orientation and install the handing pin.



**12. INSTALL TRIM**

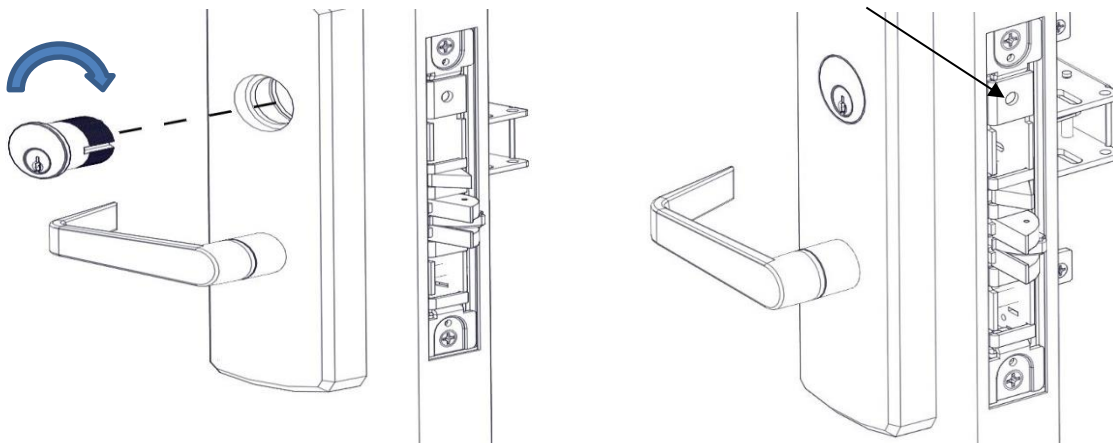
Install the trim on the pull side of the door insuring that the handing pin is properly inserted into the lock body. The handing pin only interacts with the lock body for the MC and MB functions. Use the supplied screws to bolt the trim to the door through the exit device chassis. If installing mortise cylinder do not fully tighten screws yet.



**13. INSTALL MORTISE CYLINDER (MC AND MN TRIM ONLY)**

Loosen the cylinder retaining screw to allow the cylinder to be threaded into the lock case by inserting a screw driver with a #2 tip in the hole on the mortise lock body. Install the mortise cylinder in the trim. Screw the cylinder into the lock body. The keyway must end up on the bottom of the cylinder housing. Secure the cylinder by tightening the retaining screw. **A 1-5/8" long cylinder is required for these functions.** Fully tighten mounting screws from previous step.

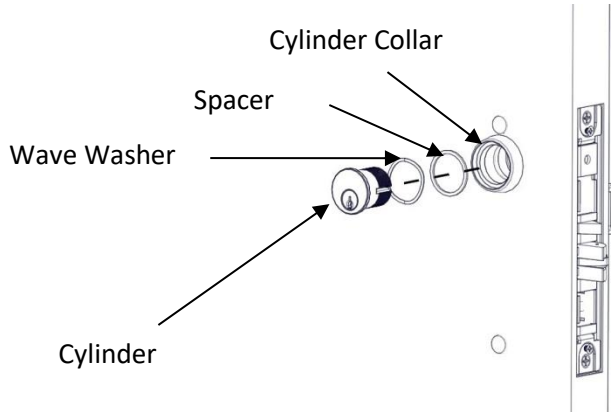
Cylinder retaining screw hole





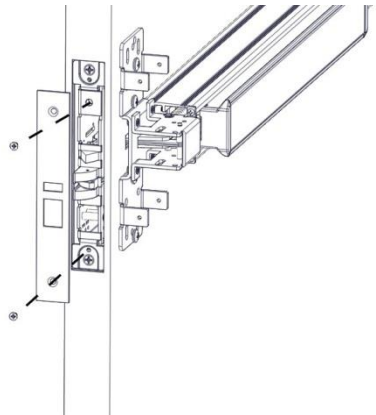
**14. INSTALL CYLINDER (NO TRIM – NL FUNCTION ONLY)**

The Night Latch function can be used with a cylinder only or cylinder by optional pull. Loosen the cylinder retaining screw to allow the cylinder to be threaded into the lock case. This is done by inserting a screw driver with a #2 tip in the hole on the mortise lock body. Insert the wave washer, spacer and cylinder collar (7/16") over the cylinder. Screw the cylinder into the lock body. The keyway must end up on the bottom of the cylinder housing. Secure the cylinder by tightening the retaining screw.

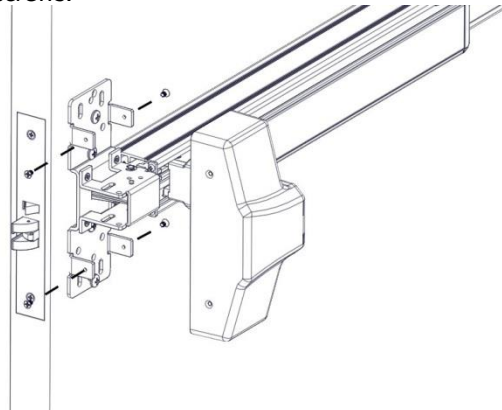


**15. INSTALL COVERS**

Install the armor front with the supplied screws.



Install the Exit Device Head Cover using the supplied screws.

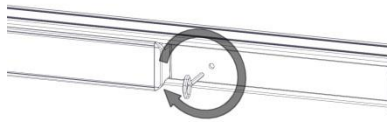


**16. DOGGING DEVICE**

For increased life of the device, dog the push bar down during high traffic periods of the day. Dogging is not available on fire-rated models.

Hex Wrench Dogging

To dog the device, press the push bar, insert the hex dogging wrench and turn clockwise 35 degrees. The push bar will remain depressed and the latch will stay retracted. To release the dogging, hold the push bar down, insert the hex dogging wrench, and turn counter-clockwise 35 degrees. The push bar will return to the up position and the latch will extend to lock the door.



Cylinder Dogging

Required hardware for cylinder dogging includes one (1) mortise cylinder, lengths 1-1/8", 1-1/4" or 1-3/8" with a standard cam (0.723" [18mm] screw center to tip of cam); and one (1) Hager cylinder dogging kit (4926) which includes one (1) 11/32" [8.7mm] solid cylinder collar and cashbox nut. Remove and discard the hex wrench extension. The cylinder should be oriented so the cam is pointing away from the exit device push bar. Install the dogging cover plate with the cylinder and test the dogging. Depress the push bar, insert the key and turn the key clockwise to dog the device. Turn the key counter-clockwise to release the dogging.

