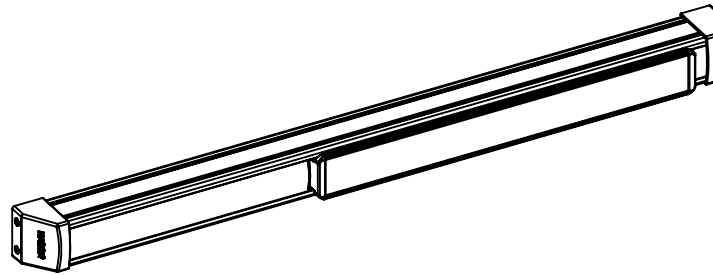


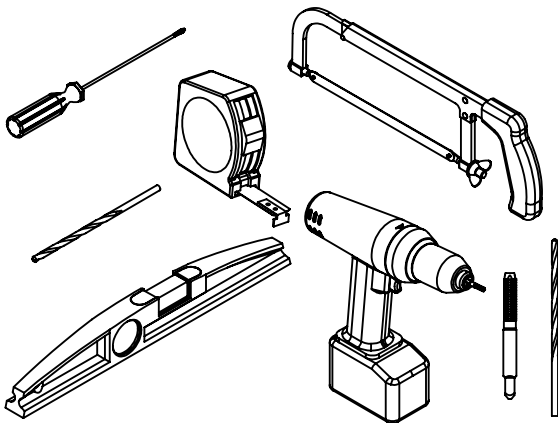
**DEVICES COVERED IN THESE INSTRUCTIONS**

4500D Dummy Push Pad Exit Device

OVERVIEW

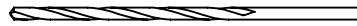


TOOLS REQUIRED



**Wood Surface Mounting**

For Wood doors, drill 1/8" pilot hole.



**Metal Surface Mounting**

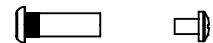
For Metal doors, tap drill with a #7 bit. Tap 1/4"-20.



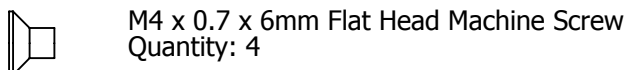
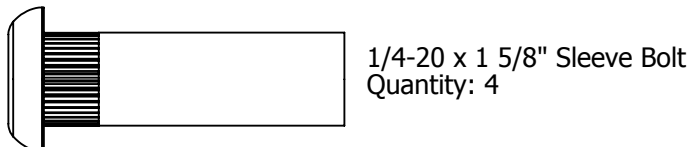
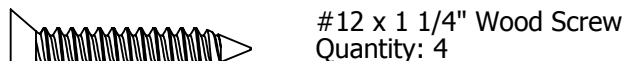
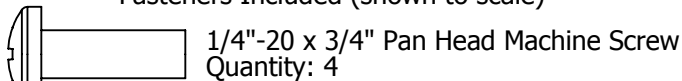
**Through Bolting**

Drill 5/16" thru from device side. Drill 3/8" from other side (pull side).

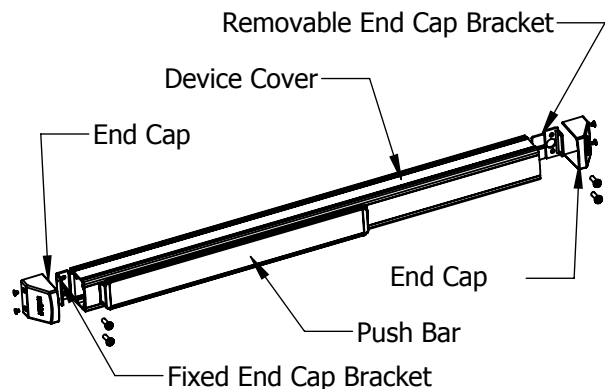
Check building and fire codes to see if your application requires the use of sleeve nuts and bolts.



**Fasteners Included (shown to scale)**

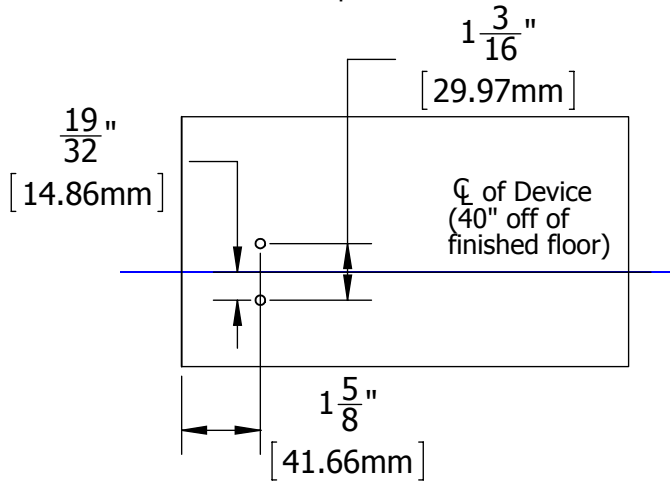


**Component Parts**



**1. MARK DOOR AND DRILL MOUNTING HOLES**

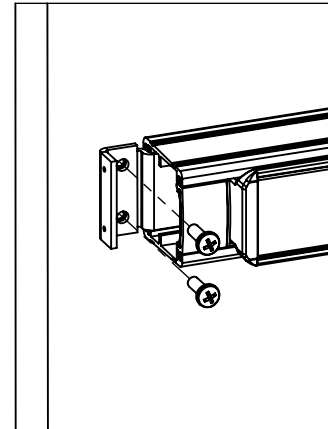
Mark centerline of exit device, typically 40" from finished floor. Mark and drill holes as shown below. These holes are the mounting holes for the fixed end cap bracket.



- For metal doors drill and tap for 1/4"-20 machine screws.
- For wood doors pre-drill 1/8" pilot holes.
- If using sex bolts, drill 5/16" clearance holes on push side of door and 3/8" holes on pull side.

**2. INSTALL DEVICE ON DOOR**

Mount the device using the two supplied screws



**3. INSTALL SCREWS ON OPPOSITE SIDE**

Mark the hole locations by holding the removable end cap bracket up against the door. Make sure the exit device is level before inserting the end cap bracket lip into the exit device body. Mark and drill/tap holes. Install the end cap bracket and both end caps.

