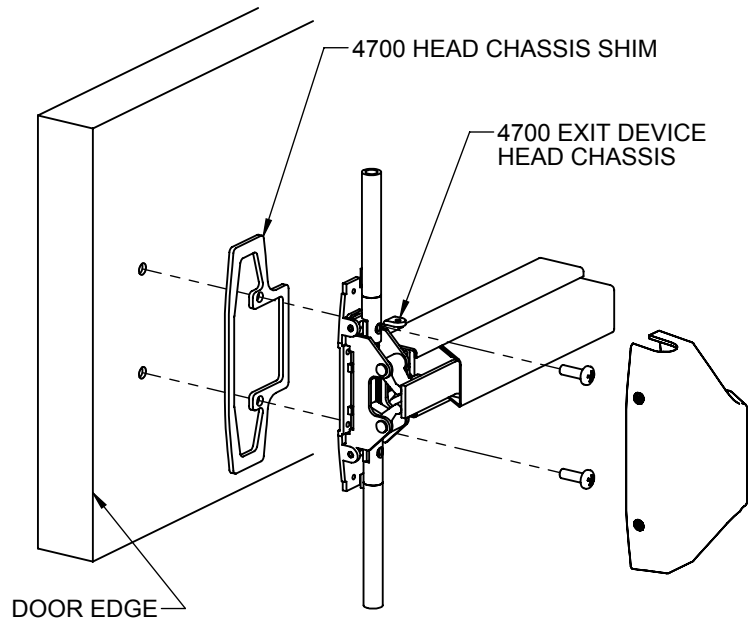
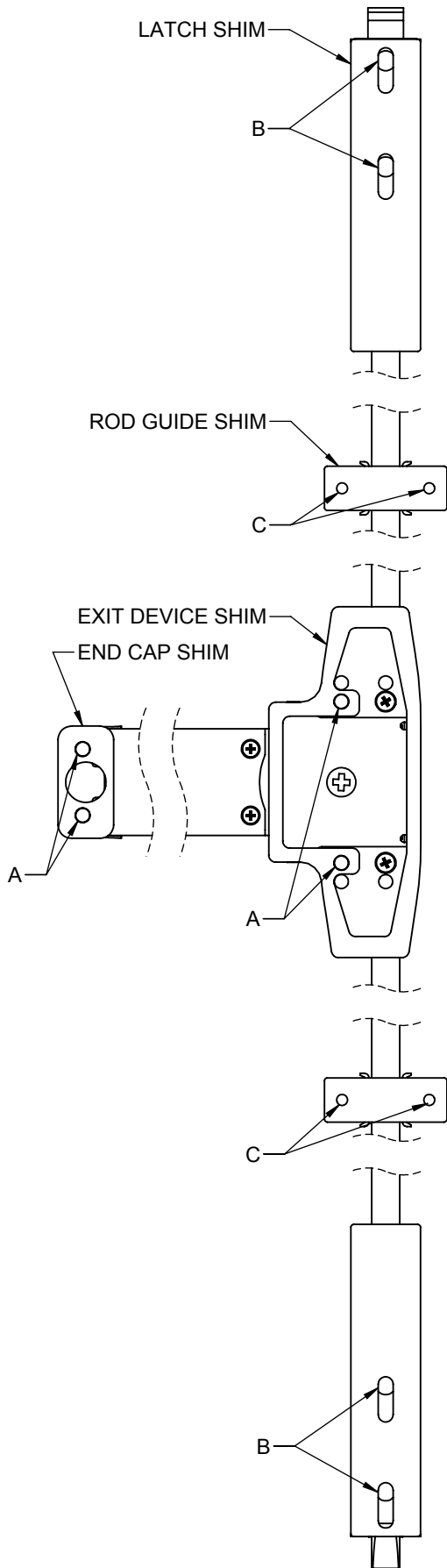


# 4931 GLASS BEAD SHIM INSTRUCTIONS FOR USE WITH THE 4700 EXIT DEVICE

## INSTALLATION INSTRUCTIONS:

1. Follow exit device installation instructions to prepare door and device for mounting.
2. Insert shims between the exit device and the door.
  1. shims are non-handed and can be used for right-hand or left-hand applications.
  2. Rim exit device (not shown) will not require rod guide or latch shims.
3. Secure exit device with provided screws, see fastener list below for proper fastener locations.



**SHIM INSTALLATION DIAGRAM**  
(SURFACE VERTICAL ROD SHOWN)

## FASTENER LIST (SEE FIGURE 1):

- |    |  |
|----|--|
| A. | METAL: 1/4"-20 X 1" PAN HEAD MACHINE SCREW<br>WOOD: #12 X 1-1/2" PAN HEAD WOOD SCREW   |
| B. | METAL: 1/4"-20 X 1" FLAT HEAD MACHINE SCREW<br>WOOD: #12 X 1-1/2" FLAT HEAD WOOD SCREW |
| C. | METAL: #10-24 X 1" PAN HEAD MACHINE SCREW<br>WOOD: #10 X 1-1/4" PAN HEAD WOOD SCREW    |
| D. |  |

**FIGURE 1**

