

4930 GLASS BEAD SHIM INSTALLATION INSTRUCTIONS

FOR USE WITH 4500 SERIES EXIT DEVICES

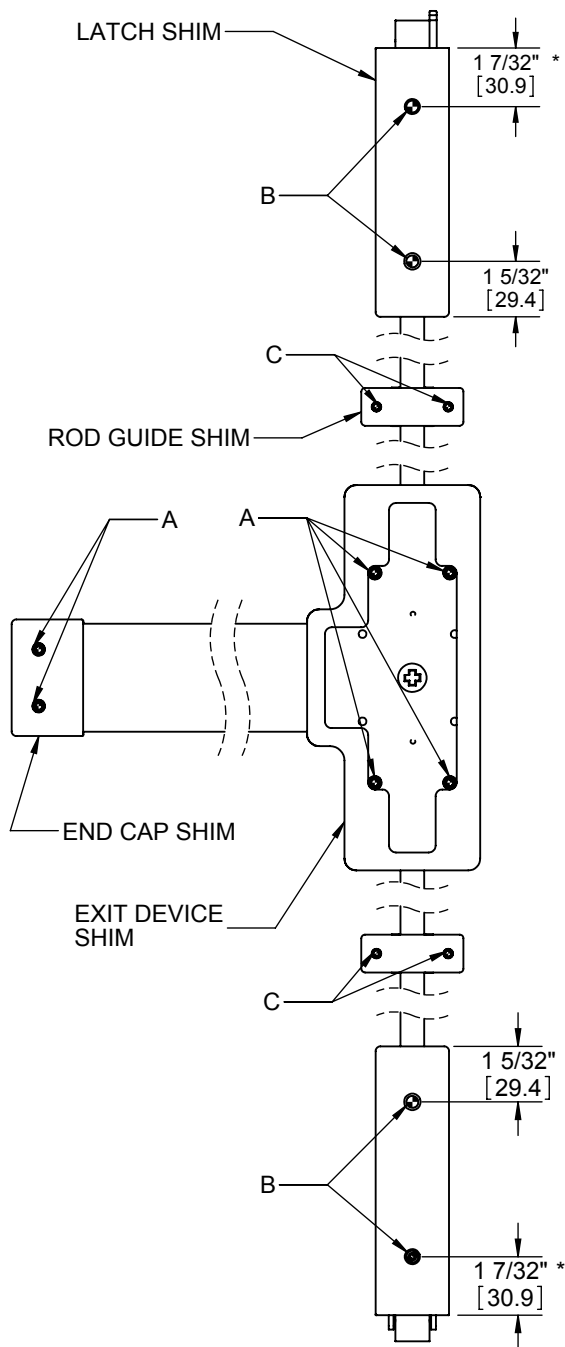
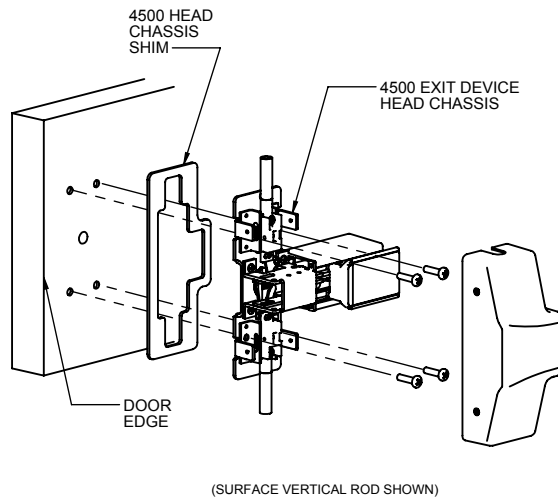


FIGURE 1

* ORIENT THE LATCH SHIMS SO THE LONGER END IS NEAR THE LATCH BOLT.

INSTALLATION INSTRUCTIONS:

1. FOLLOW EXIT DEVICE INSTALLATION INSTRUCTIONS TO PREPARE DOOR AND DEVICE FOR MOUNTING.
2. INSERT SHIMS BETWEEN THE EXIT DEVICE AND THE DOOR.
 1. SHIMS ARE NON-HANDED AND CAN BE USED FOR RH OR LH APPLICATIONS.
 2. SURFACE VERTICAL ROD LATCH SHIMS HAVE ONE END THAT IS LONGER, ORIENTATION IS CRITICAL FOR PROPER INSTALLATION (SEE ILLUSTRATION).
 3. RIM EXIT DEVICE (NOT SHOWN) WILL NOT REQUIRE ROD GUIDE OR LATCH SHIMS.
3. SECURE EXIT DEVICE WITH PROVIDED SCREWS, SEE FASTENER LIST BELOW FOR PROPER FASTENER LOCATION.



FASNTENER LIST (SEE FIGURE 1):

- A. METAL: 1/4"-20 X 1" BUTTON HEAD MACHINE SCREW.
WOOD: #12 X 1-1/2" BUTTON HEAD WOOD SCREW.
- B. METAL: 1/4"-20 X 1" FLAT HEAD MACHINE SCREW.
WOOD: #12 X 1-1/2" FLAT HEAD WOOD SCREW.
- C. METAL: #10-24 X 1" BUTTON HEAD MACHINE SCREW.
WOOD: #10 X 1-1/4" BUTTON HEAD WOOD SCREW.

