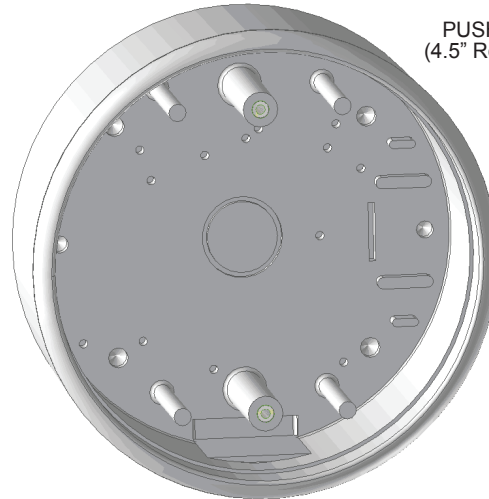
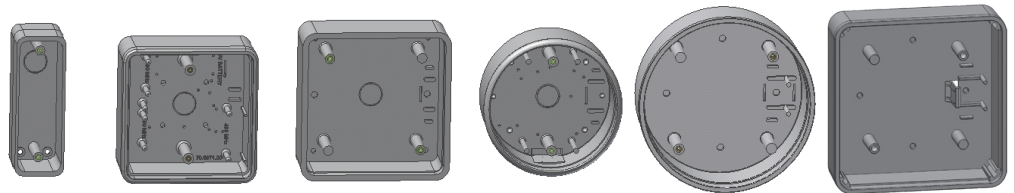


1 Description

Hager Companies' line of push plate hardware is expanded by its line of surface and flush mount pushplate boxes. These boxes are made of durable ABS plastic and are made to securely mount a push plate and a variety of optional transmitters to activate an automatic door. Many of the boxes have an optional weather ring to give even more weather protection to the switch. They are also designed to attractively recess the push plate in the housing and to minimize vandalism from prying up the push plate.



PUSH PLATE MOUNTING BOX
(4.5" Round Surface Mount Shown)



PART NUMBERS	4" JAMB	4.5" SQ.	4.75" SQ.	4.5" ROUND	6" ROUND	6" SQ.
PUSH PLATE SERIES	2-659-0175 / 0176	2-659-0173	2-659-0242	2-659-0165 / 0166	2-659-0161 / 0162	2-659-0169 / 0170
TRANSMITTER COMPATABILITY	3V ONLY	3V & 9V	3V & 9V	3V & 9V	3V & 9V	3V & 9V
SURFACE	2-659-0177	2-659-0174	2-659-0243	2-659-0167	2-659-0163	2-659-0171
WEATHER RING 1	N/A	N/A	N/A	2-659-0168	2-659-0164	N/A

1 - Optional

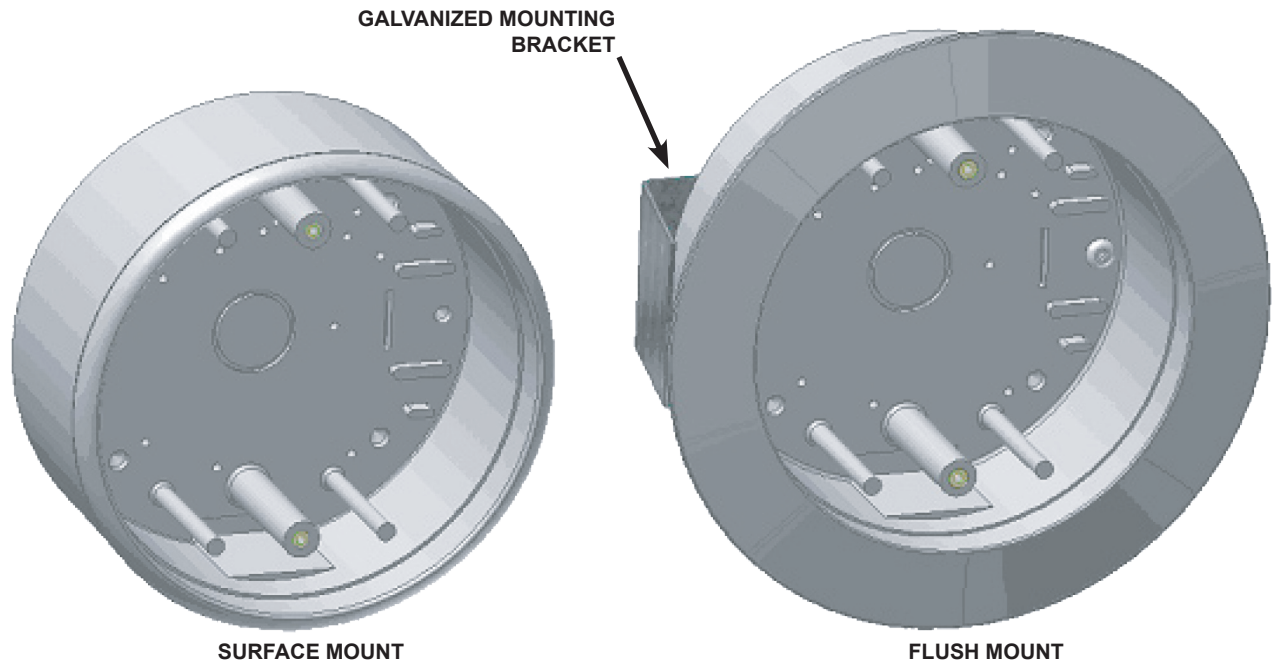
3 Precautions



- Shut off all power before attempting any wiring procedures.
- Maintain a clean & safe environment when working in public areas.
- Constantly be aware of pedestrian traffic around the area.
- Always stop pedestrian traffic through the doorway when performing tests that may result in unexpected reactions by the door.
- ESD electrostatic discharge: Circuit boards are vulnerable to damage by electrostatic discharge. Before handling any board ensure you dissipate your body's charge.
- Always check placement of all wiring before powering up to insure that moving parts will not catch any wires and cause damage to equipment.
- Ensure compliance with all applicable safety standards (i.e. ANSI A156.10 / 19) upon completion of installation.
- DO NOT attempt any internal repair of the sensor. All repairs and/or component replacements must be performed Hager Companies. Unauthorized disassembly or repair:
 1. May jeopardize personal safety and may expose one to the risk of electrical shock.
 2. May adversely affect the safe and reliable performance of the product will result in a voided product warranty.

3 Installation

1. Prepare the box for installation. If the pushplate is to be hard-wired to the operator, remove either the knockout on the back or bottom of the box. Then route the appropriate wire to the box.
2. Attach the box to the mounting surface. For surface mounted boxes, securely attach the box to the surface using the corner holes. For flush mounted boxes, cut a hole in the mounting surface large enough that the galvanized steel bracket will pass through the hole. Then use a Phillips head screwdriver to tighten the two screws that tighten the bracket to the inside of the wall surface.



3. For wireless applications, install a radio frequency transmitter to the inside of the box as shown below.

