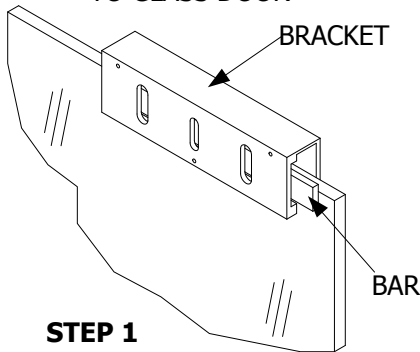


DEVICES COVERED IN THIS DOCUMENT:

2-679-0160 - ALM Glass Door Kit for use with 2951 and 2953 (order 2 for use with 2952 and 2954)

2-679-0161 - DBZ Glass Door Kit for use with 2951 and 2953 (order 2 for use with 2952 and 2954)

**INSTALL BRACKET AND BAR
TO GLASS DOOR**



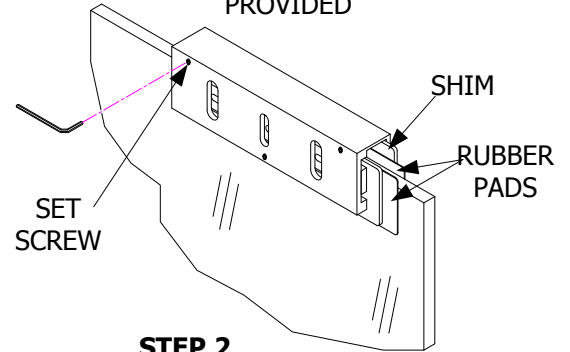
STEP 1

FOR 1/2" GLASS DOORS:
PLACE RUBBER PAD &
10GA. SHIM BOTH SIDES.

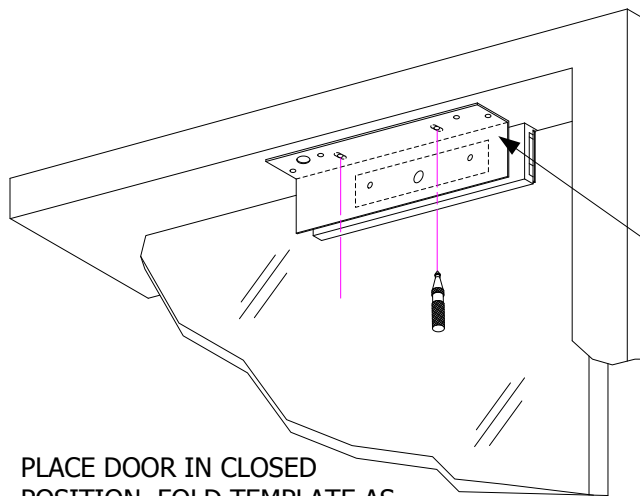
FOR 5/8" GLASS DOORS:
PLACE RUBBER PAD BOTH
SIDES & 10 GA. SHIM
ONE SIDE ONLY.

FOR 3/8" GLASS DOORS:
PLACE RUBBER PAD BOTH
SIDES & 18 GA. SHIM
ONE SIDE ONLY.

**SECURE SET SCREWS
WITH ALLEN WRENCH
PROVIDED**

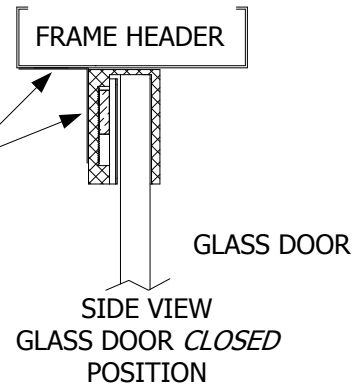


STEP 2

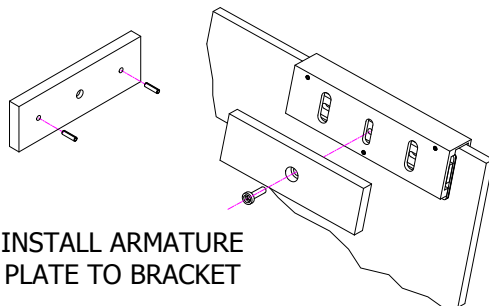


PLACE DOOR IN CLOSED
POSITION, FOLD TEMPLATE AS
INDICATED BY DOTTED LINE AND PLACE
TEMPLATE AGAINST FRAME HEADER AND
BRACKET THEN MARK AND DRILL AS
INDICATED.

TEMPLATE



STEP 3



STEP 4

USING BAR (SEE STEP 1)
ADJUST ARMATURE PLATE
AS NEEDED FOR PROPER
ALIGNMENT BETWEEN
ARMATURE PLATE AND
EMLOCK SURFACE.

