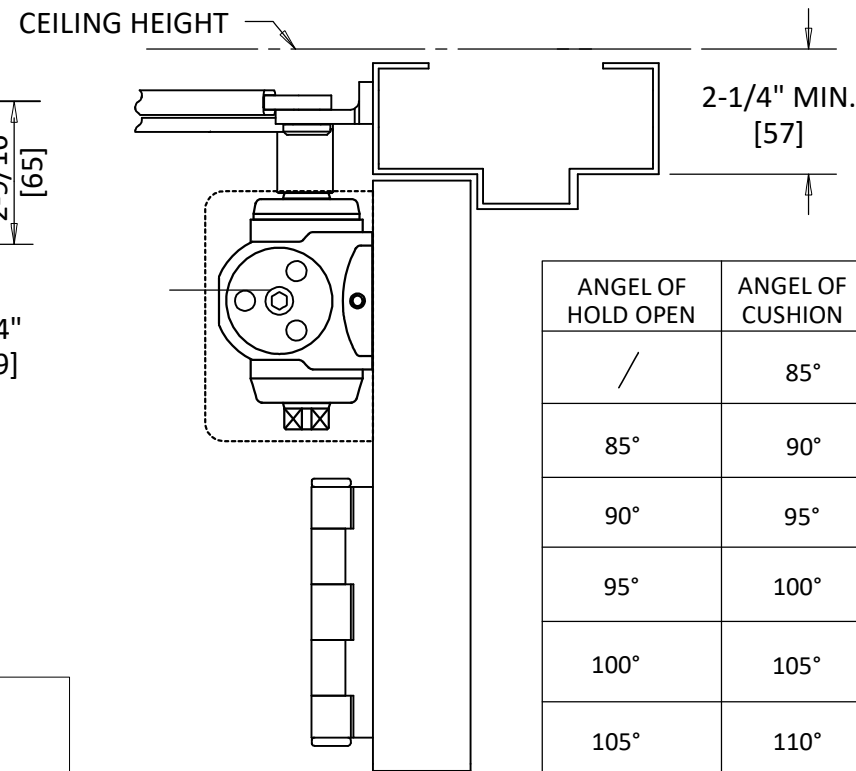
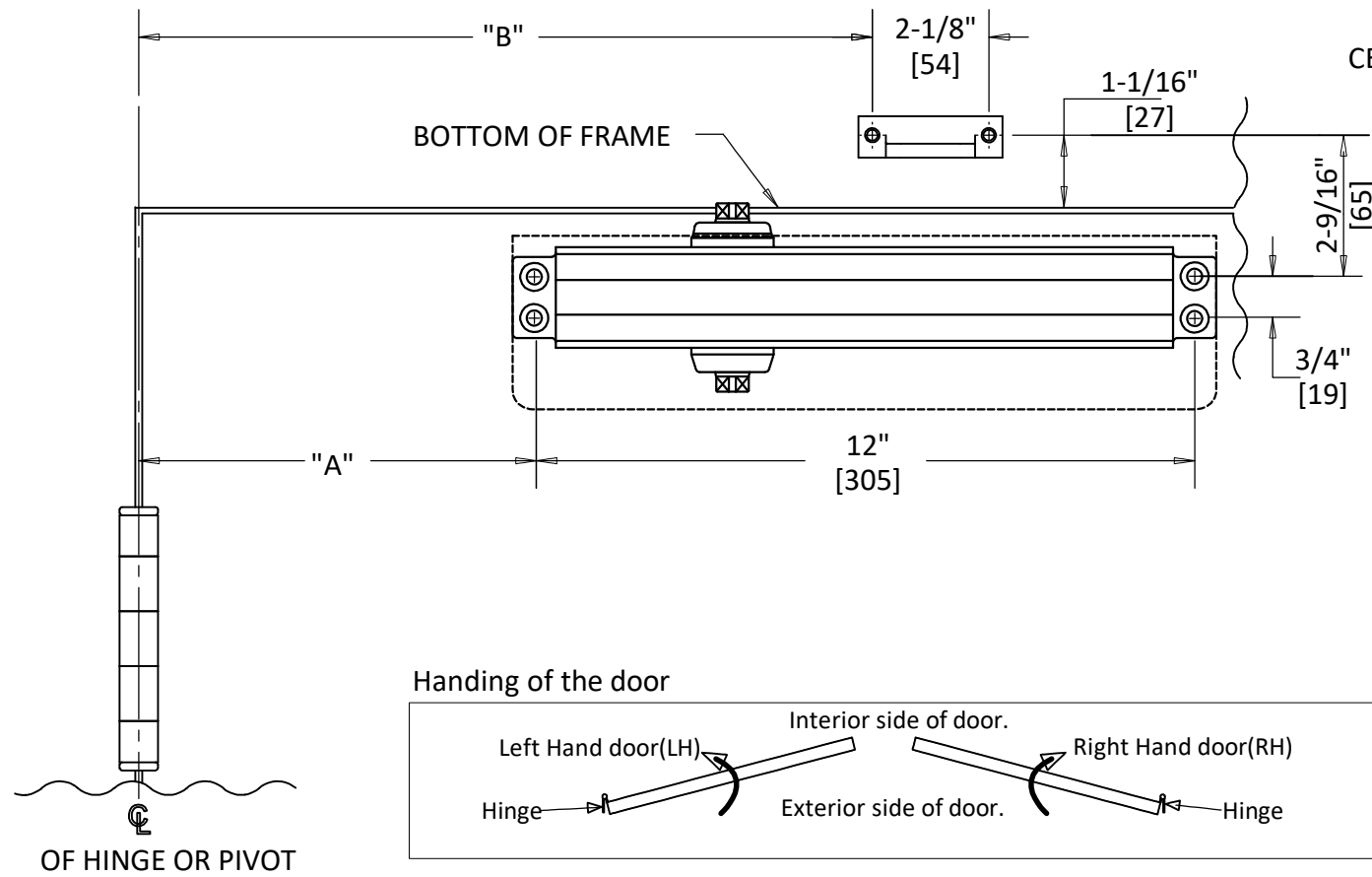
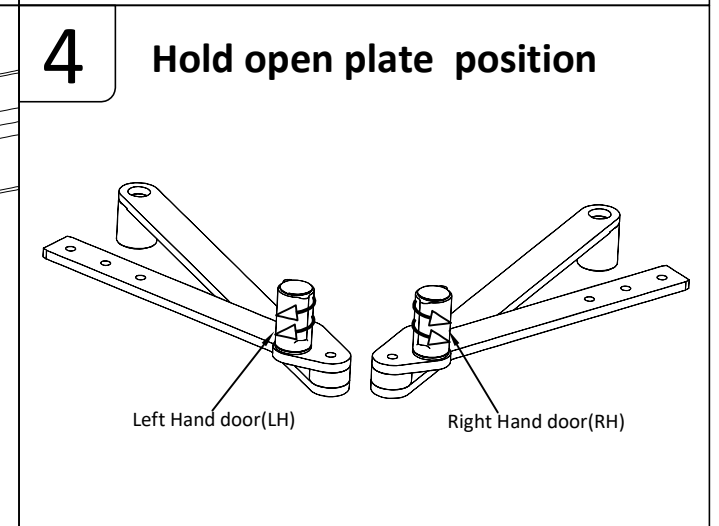
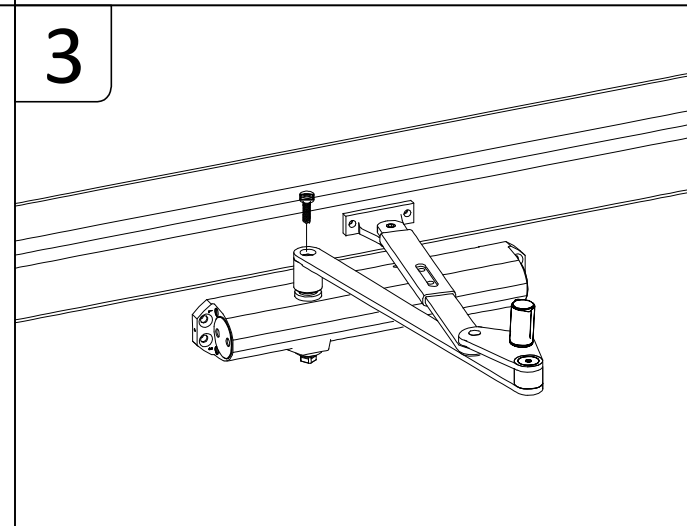
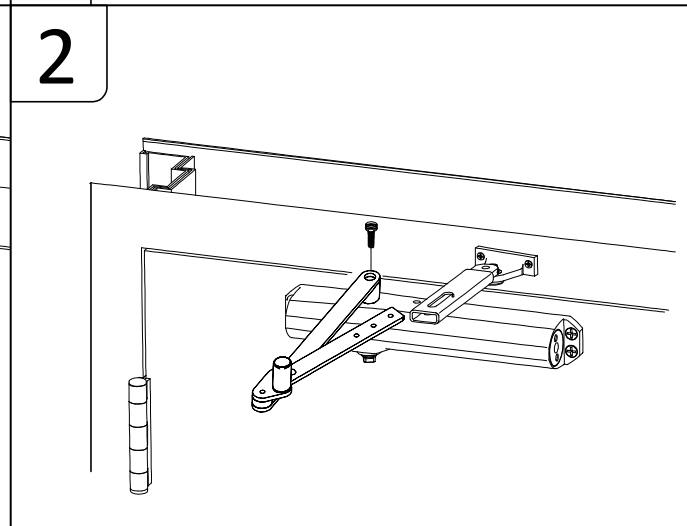
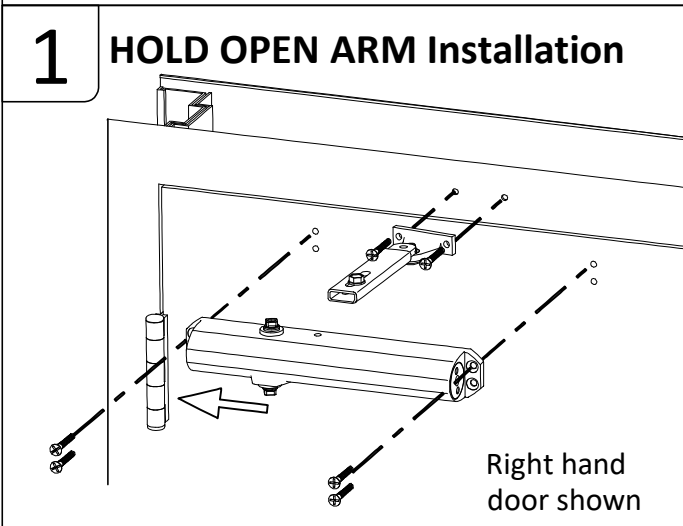
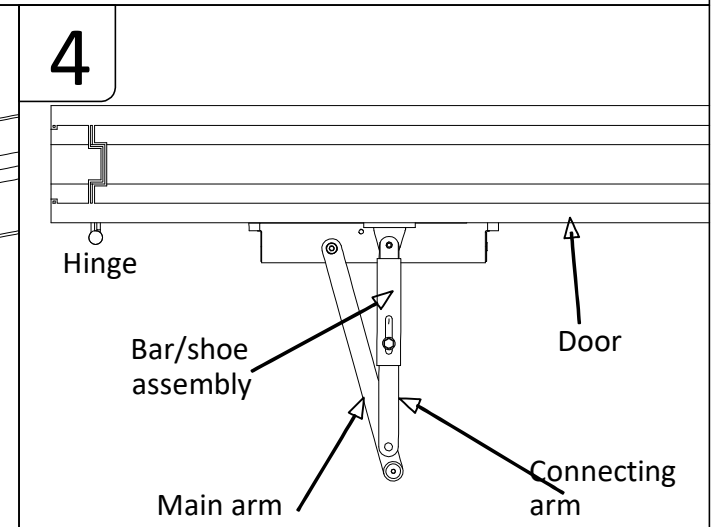
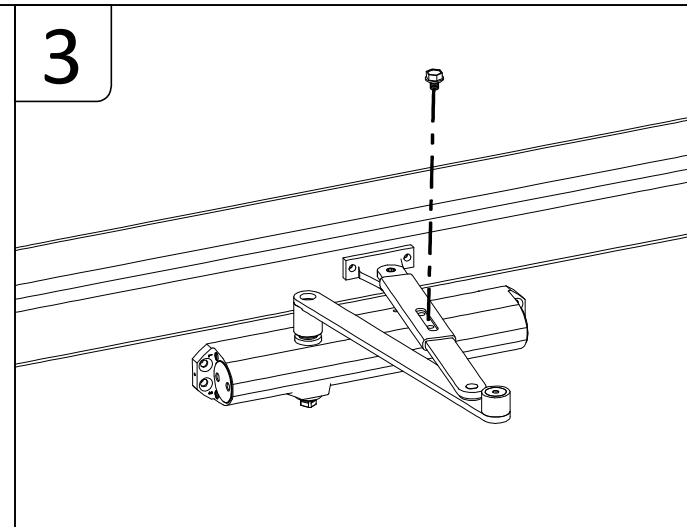
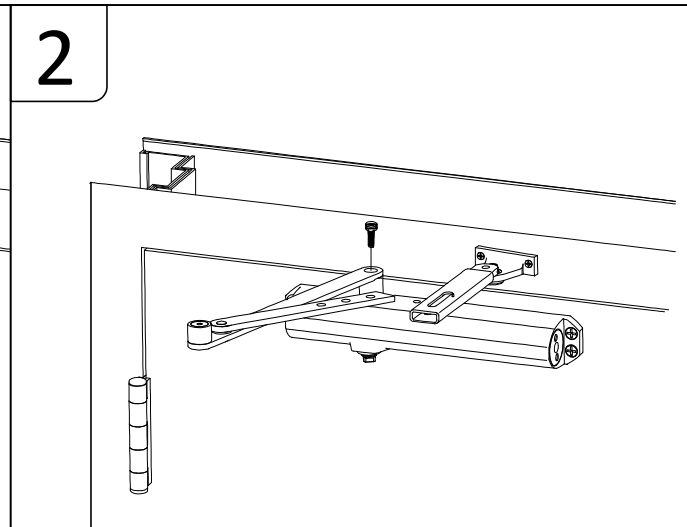
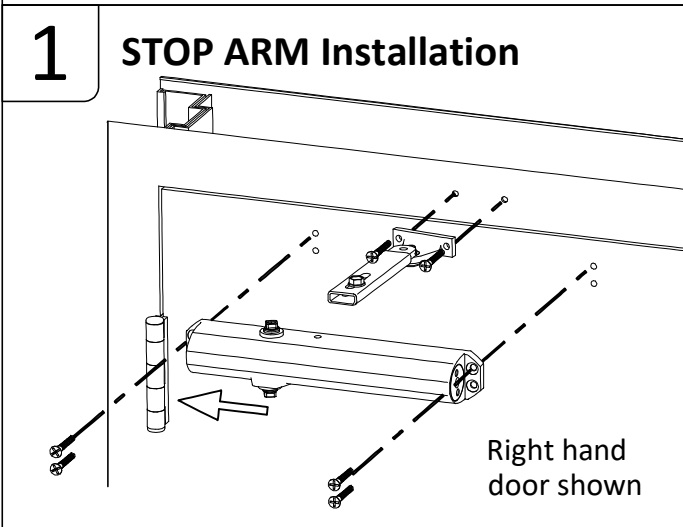


HAGER COMPANIES 5200 SERIES Pull side Stop /Hold Open Arm Door Closer Installation Instructions

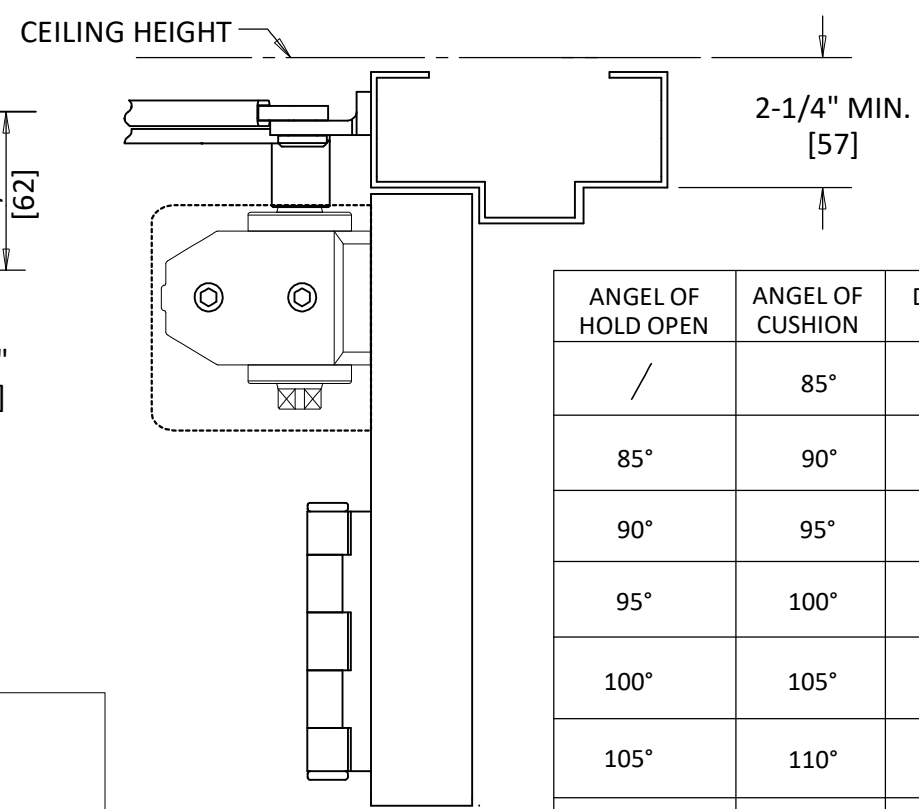
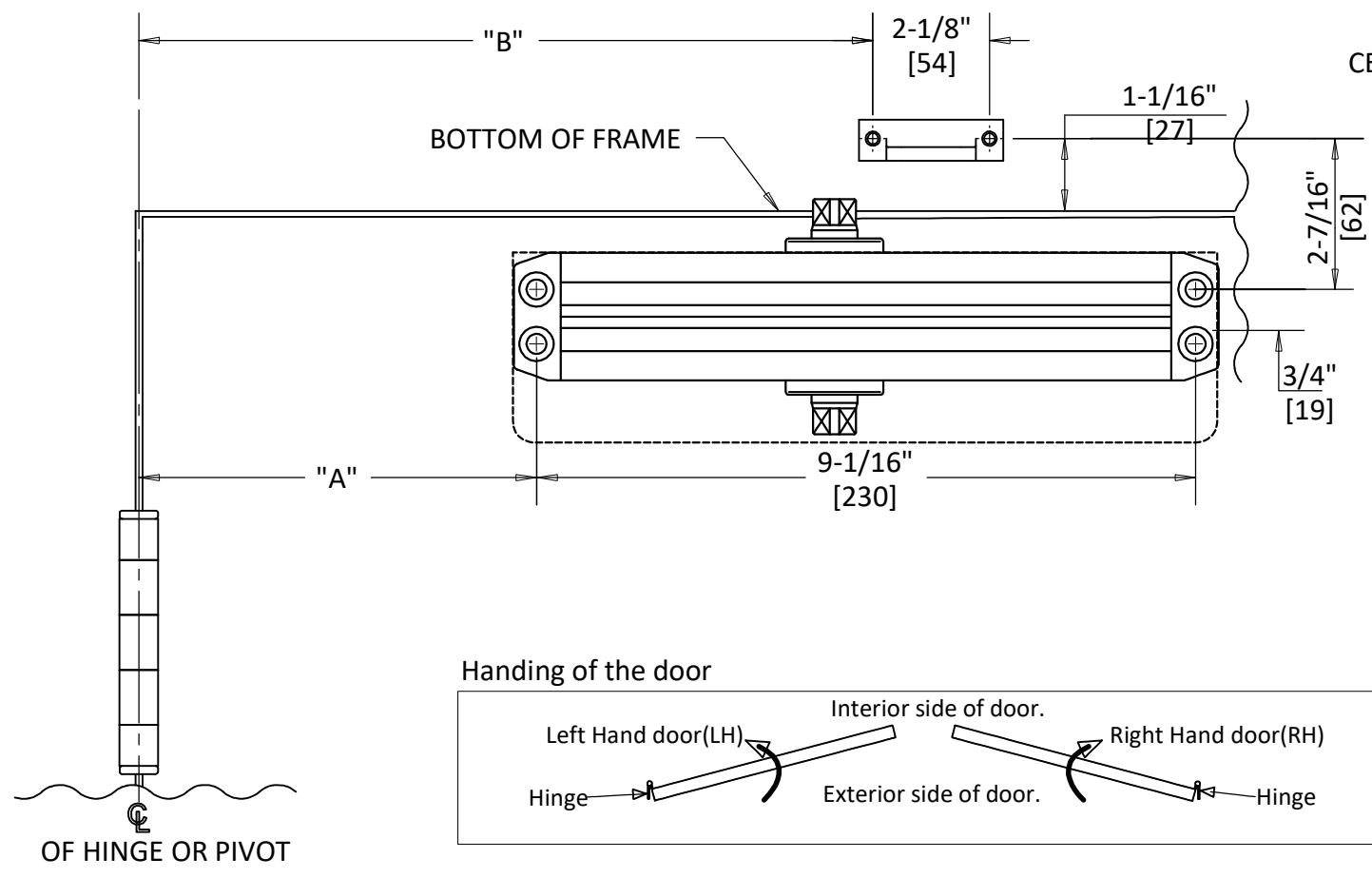


Right hand door illustrated. Same dimensions apply to left hand door. Measured from hinge Center. Dimensions are in inches (mm) Not To Scale

ANGEL OF HOLD OPEN	ANGEL OF CUSHION	DIMENSION "A" (CLOSER)	DIMENSION "B" (ARM SHOE)
/	85°	$\frac{7 \frac{1}{16}''}{[180]}$	$\frac{13 \frac{1}{8}''}{[333]}$
85°	90°	$\frac{6 \frac{1}{2}''}{[165]}$	$\frac{12 \frac{1}{2}''}{[318]}$
90°	95°	$\frac{5 \frac{7}{8}''}{[150]}$	$\frac{12''}{[305]}$
95°	100°	$\frac{5 \frac{1}{2}''}{[139]}$	$\frac{11 \frac{5}{8}''}{[296]}$
100°	105°	$\frac{5 \frac{1}{8}''}{[130]}$	$\frac{11 \frac{1}{4}''}{[286]}$
105°	110°	$\frac{4 \frac{11}{16}''}{[119]}$	$\frac{10 \frac{7}{8}''}{[277]}$
110°	/	$\frac{4 \frac{5}{16}''}{[109]}$	$\frac{10 \frac{11}{16}''}{[271]}$



HAGER COMPANIES 5300 SERIES Pull side Stop /Hold Open Arm Door Closer Installation Instructions



Right hand door illustrated. Same dimensions apply to left hand door. Measured from hinge Center. Dimensions are in inches (mm) Not To Scale

ANGEL OF HOLD OPEN	ANGEL OF CUSHION	DIMENSION "A" (CLOSER)	DIMENSION "B" (ARM SHOE)
/	85°	$\frac{6\ 7}{8}$ " [174]	13" [330]
85°	90°	$\frac{6\ 1}{8}$ " [156]	$\frac{12\ 5}{8}$ " [320]
90°	95°	$\frac{5\ 29}{32}$ " [150]	12" [305]
95°	100°	$\frac{5\ 5}{16}$ " [135]	$\frac{11\ 5}{8}$ " [295]
100°	105°	$\frac{4\ 15}{16}$ " [126]	11" [280]
105°	110°	$\frac{4\ 17}{32}$ " [115]	$\frac{10\ 13}{16}$ " [275]
110°	/	$\frac{4\ 11}{32}$ " [110]	$\frac{10\ 7}{16}$ " [265]

