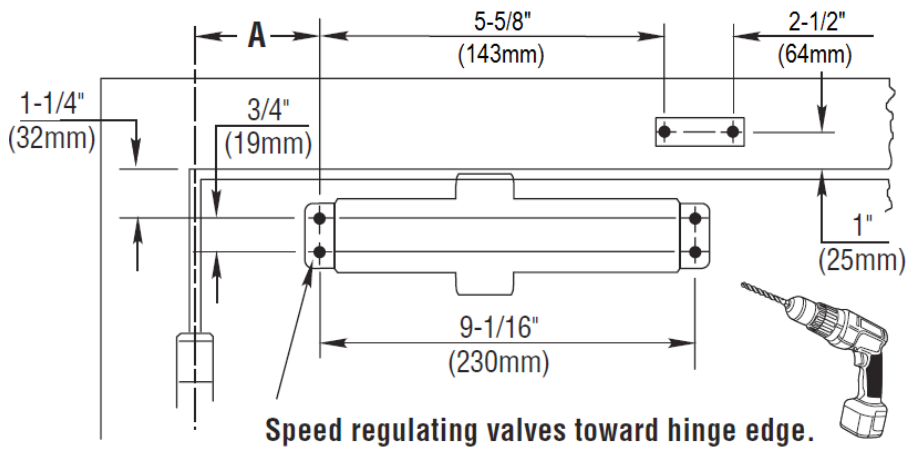


DEVICES COVERED IN THIS DOCUMENT: Depicted steps of how to properly install a 5910 HO Arm.

Regular Arm Mount

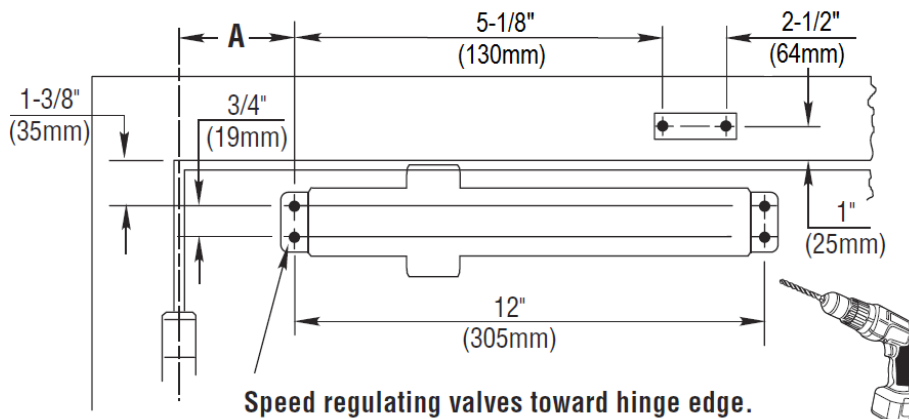
5300



Door Opening	Dimension "A"
To 100	$\frac{7"}{(178\text{mm})}$
101 to 120	$\frac{6"}{(152\text{mm})}$
121 to *180	$\frac{3-1/2"}{(89\text{mm})}$

*Door/Wall/Hardware/Jamb conditions permitting

5200

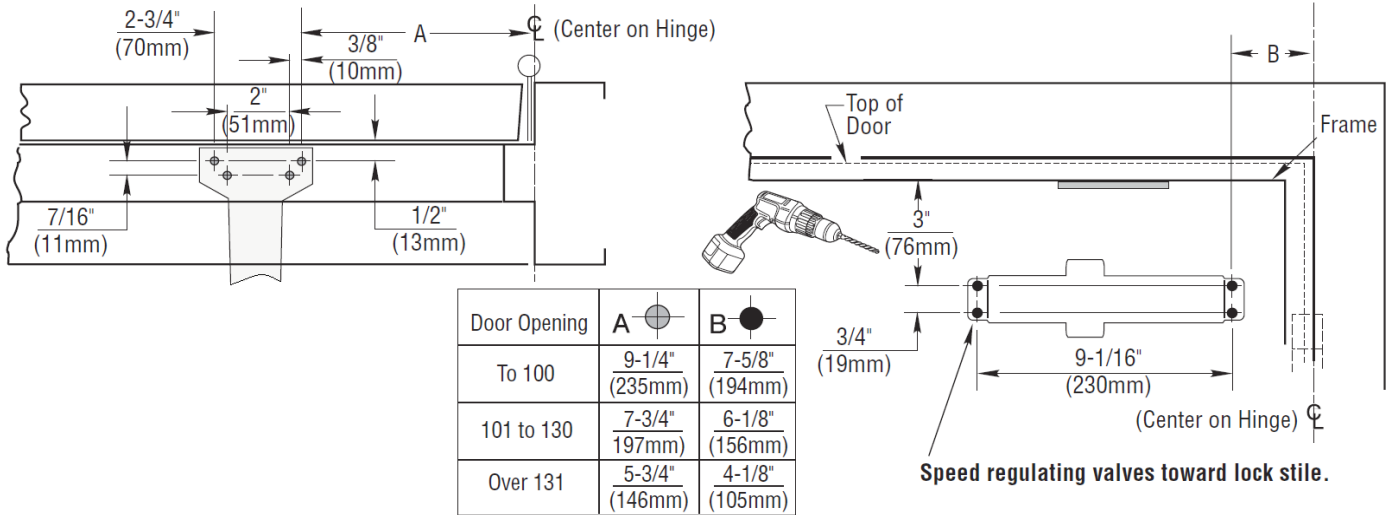


Door Opening	Dimension "A"
To 100	$\frac{7-1/2"}{(191\text{mm})}$
101 to 130	$\frac{6"}{(152\text{mm})}$
131 to *180	$\frac{4-1/2"}{(114\text{mm})}$

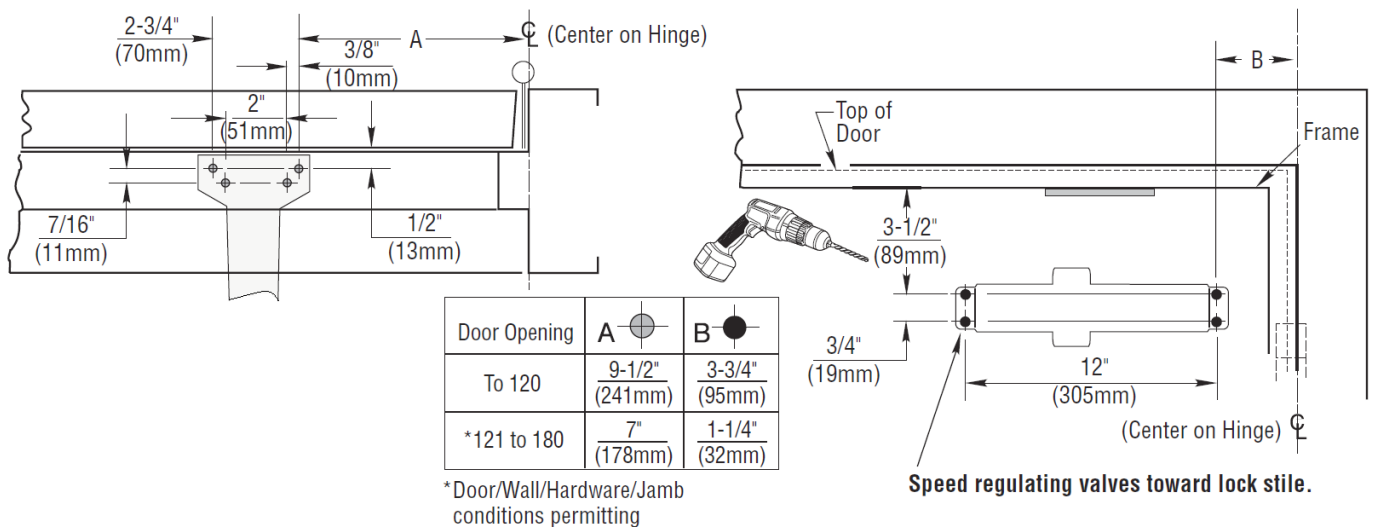
*Door/Wall/Hardware/Jamb conditions permitting

Parallel Arm Mount

5300

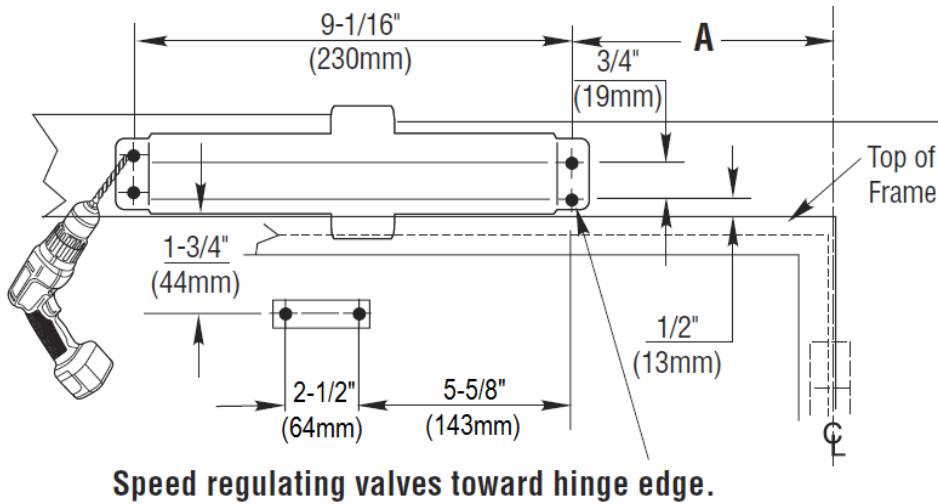


5200



Top Jamb Mount

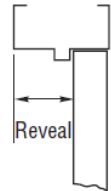
5300



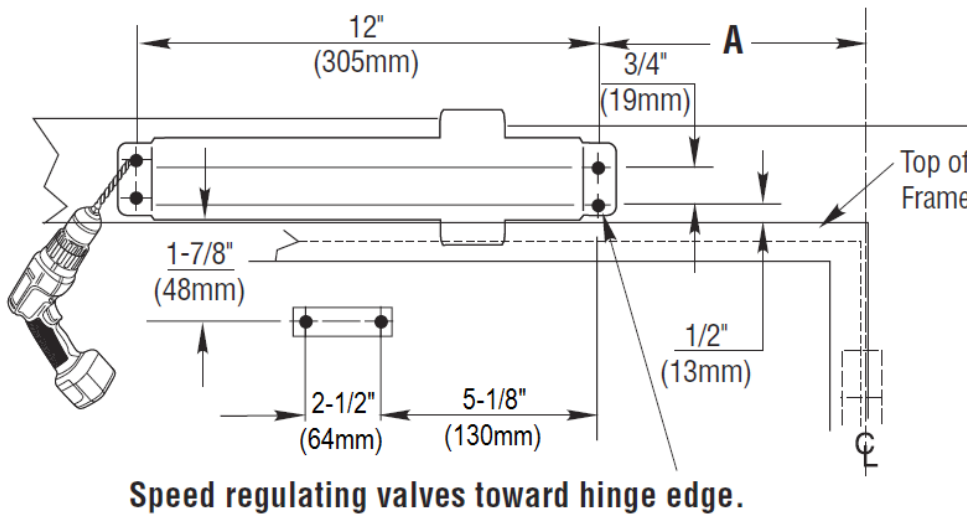
Door Opening	Dimension "A"
To 100	$\frac{7-1/2"}{(191\text{mm})}$
101 to 120	$\frac{6"}{(152\text{mm})}$
121 to *180	$\frac{3-1/2"}{(89\text{mm})}$

*Door/Wall/Hardware/Jamb conditions permitting

A longer connecting rod is required for reveals greater than 4" (102mm)



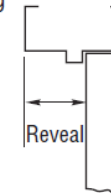
5200



Door Opening	Dimension "A"
To 100	$\frac{7-1/2"}{(191\text{mm})}$
101 to 130	$\frac{6"}{(152\text{mm})}$
131 to *180	$\frac{4-1/2"}{(114\text{mm})}$

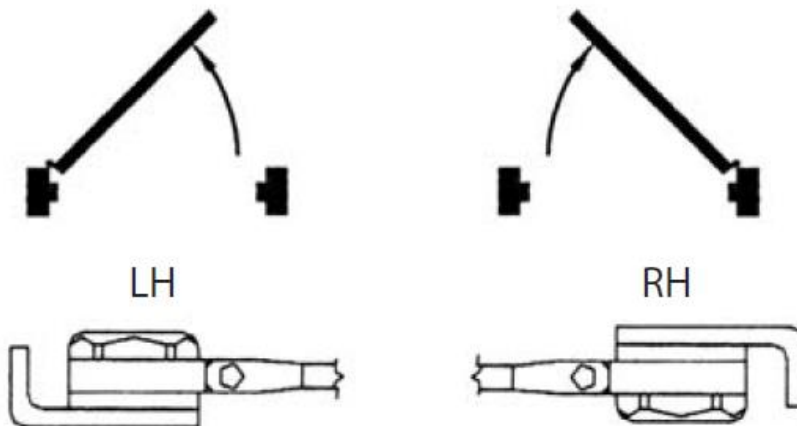
*Door/Wall/Hardware/Jamb conditions permitting

A longer connecting rod is required for reveals greater than 4" (102mm)



How to Adjust

Identify direction of hold-open nut according to hand of door and mount arm.



Adjust by loosening hold-open nut, then open door to desired position and tighten hold-open nut securely.