

Description Of Operation: Activation of Auto Operator releases electric strike and opens door.

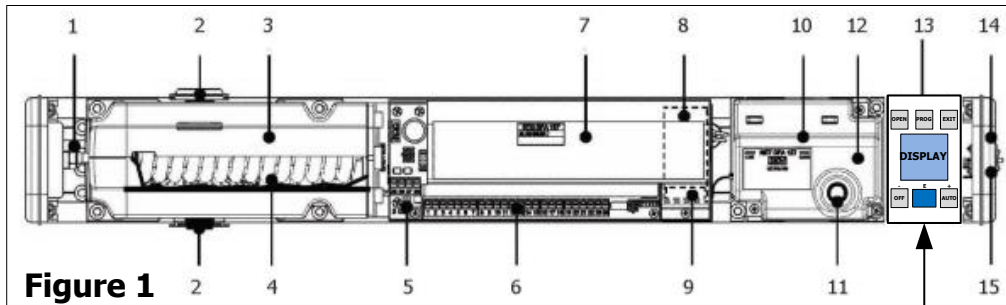
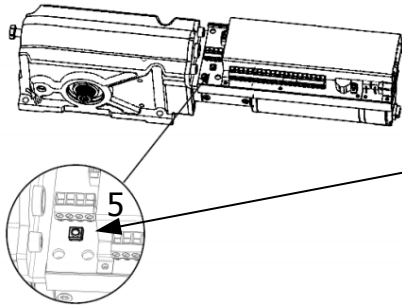


Figure 1

Programmer



Enter Programming mode

Press and hold **multifunction push button/control** until LED flashes red 4 times. After the 4th red flash release the multifunction push button/control.

Programming (Refer to Figure 2)

(PROGRAMMER REFER TO FIGURE 2)

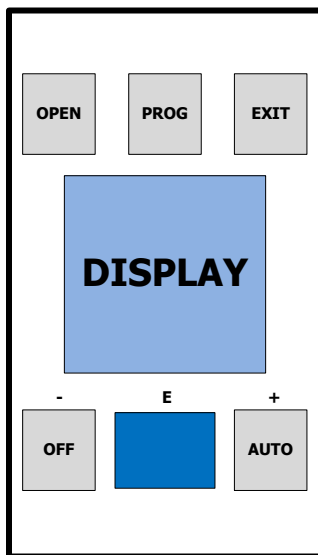


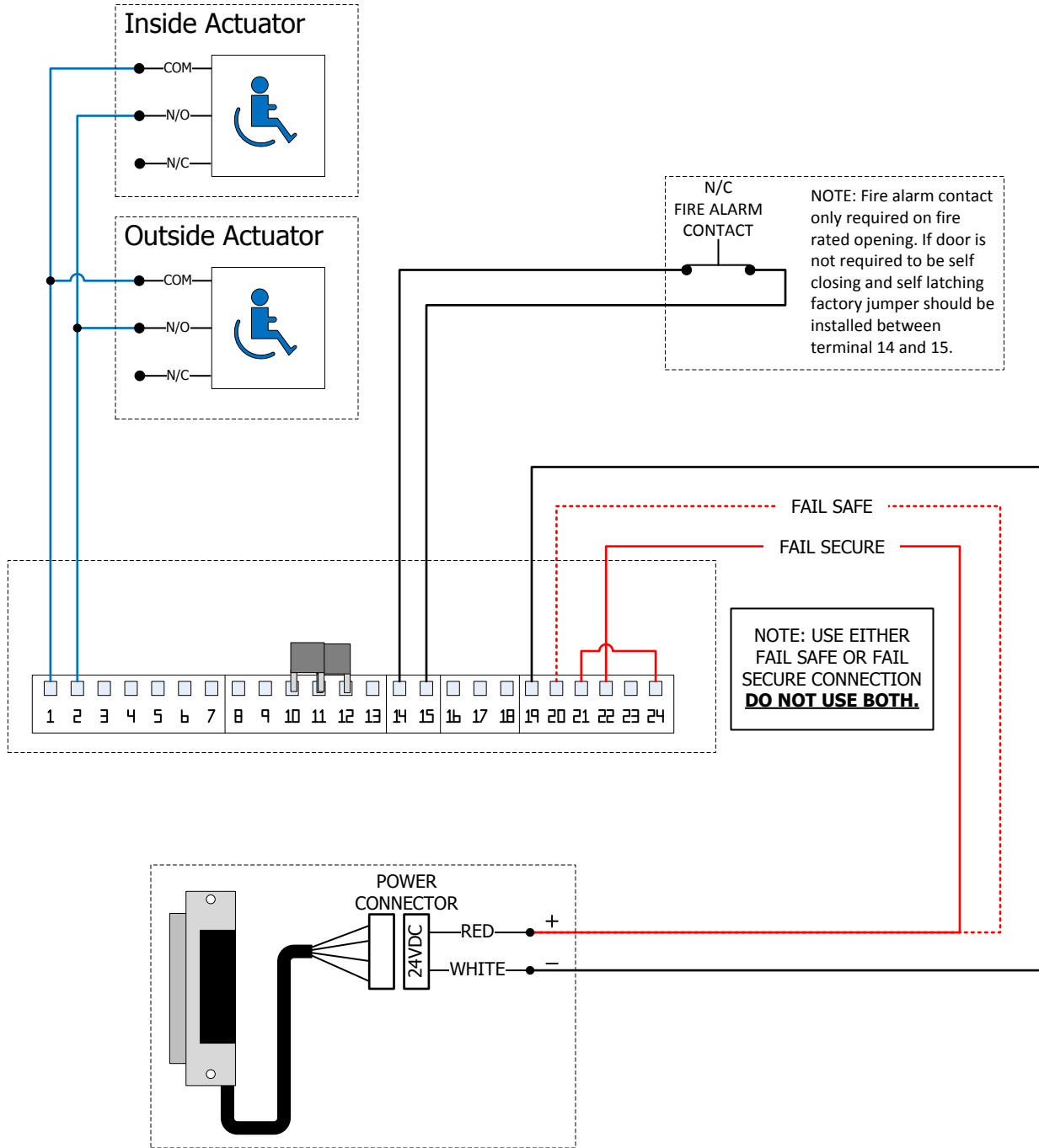
FIGURE 2

- 1) Press and release **+** (**AUTO**) to navigate to '*Param STG*'.
- 2) Press **E (BLUE BUTTON)** to enter parameter settings.
- 3) Press and release **+** (**AUTO**) to navigate to '*Locking*'.
- 4) Press **E (BLUE BUTTON)** to enter '*Locking*'.
- 5) Press **E (BLUE BUTTON)** to enter '*Lock Function*'.
- 6) Press and release **+** (**AUTO**) to navigate to '*Always Locked*'.
- 7) Press **E (BLUE BUTTON)** to select '*Always Locked*'.
- 8) Press and release **PROG** button until display reads '*Quit menu item*'.
- 9) Press **E (BLUE BUTTON)** to exit programming.

Description Of Operation: Activation of Auto Operator releases electric strike and opens door.
 Electrical Output: .5A at 24VDC

Products:

Hager 8418 Low Energy Operator
 24VDC Electric Strike
 Hardwired Actuators



Description Of Operation: Activation of Auto Operator releases electric strike and opens door.
 Electrical Output: .5A at 24VDC

Products:

- 1ea Hager 8418 Low Energy Operator
- 1ea 24VDC Electric Strike
- 2ea 2-659-0172 or 2-659-0173 Hardwired Actuators
- 1ea 2-659-0183 Wireless Receiver
- 2ea 2-659-0184 or 2-659-0185 Wireless Transmitters

