

DESCRIPTION: Adjusting door hold open times. Hold open time shall be a minimum of 5 seconds but can be adjusted up to 40 seconds.

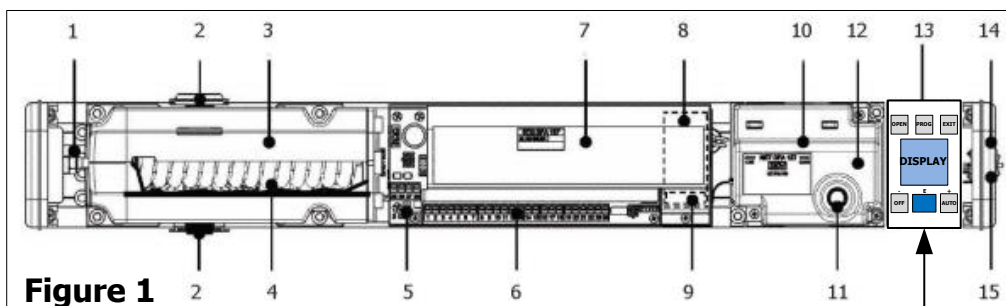
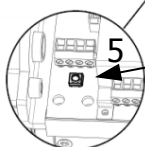
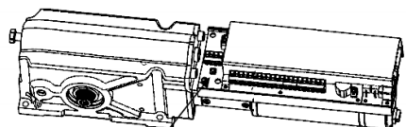


Figure 1

Programmer



Enter Programming mode

Press and hold **multifunction push button/control** until LED flashes red 4 times. After the 4th red flash release the multifunction push button/control.

Programming (Refer to Figure 2)

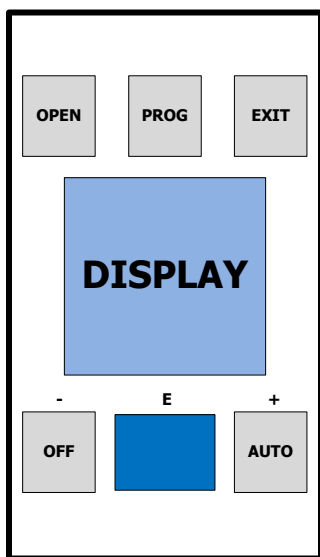


FIGURE 2

- 1) Press and release **+** (**AUTO**) to navigate to '*Param STG*'.
- 2) Press **E (BLUE BUTTON)** to enter parameter settings.
- 3) Press and release **+** (**AUTO**) to navigate to '*Time Delay Open*'.
- 4) Press **E (BLUE BUTTON)** to enter '*Time Delay Open*'.
- 5) Press **E (BLUE BUTTON)** AGAIN to select '*Time Delay Open*'.
- 6) Press and release **+** (**AUTO**) to adjust hold open to desired time (5 – 40 seconds).
- 7) Press **E (BLUE BUTTON)** to select save.
- 8) Press and release **PROG** button until display reads '*Quit Menu Item*'.
- 9) Press **E (BLUE BUTTON)** to exit programming.