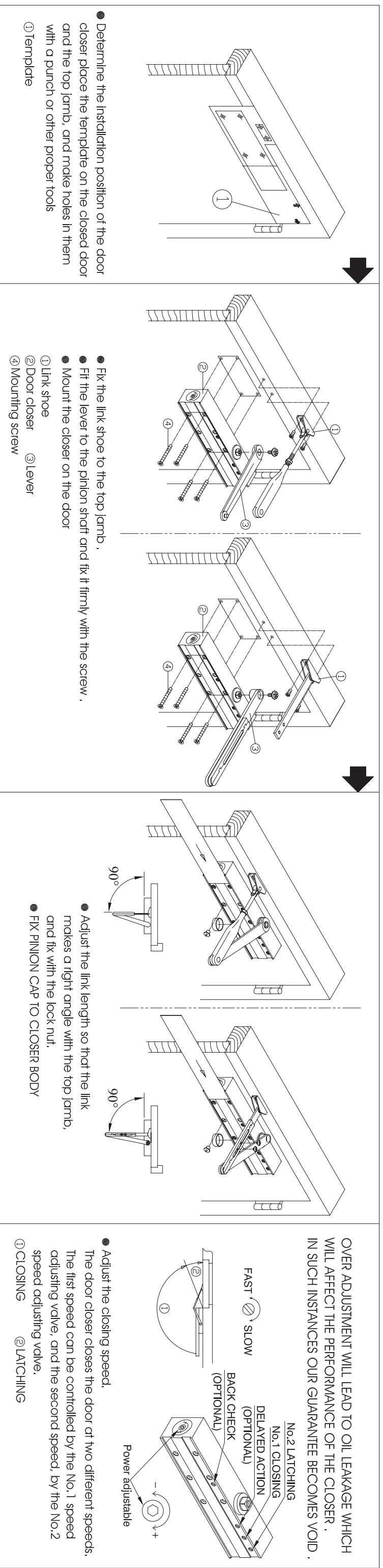
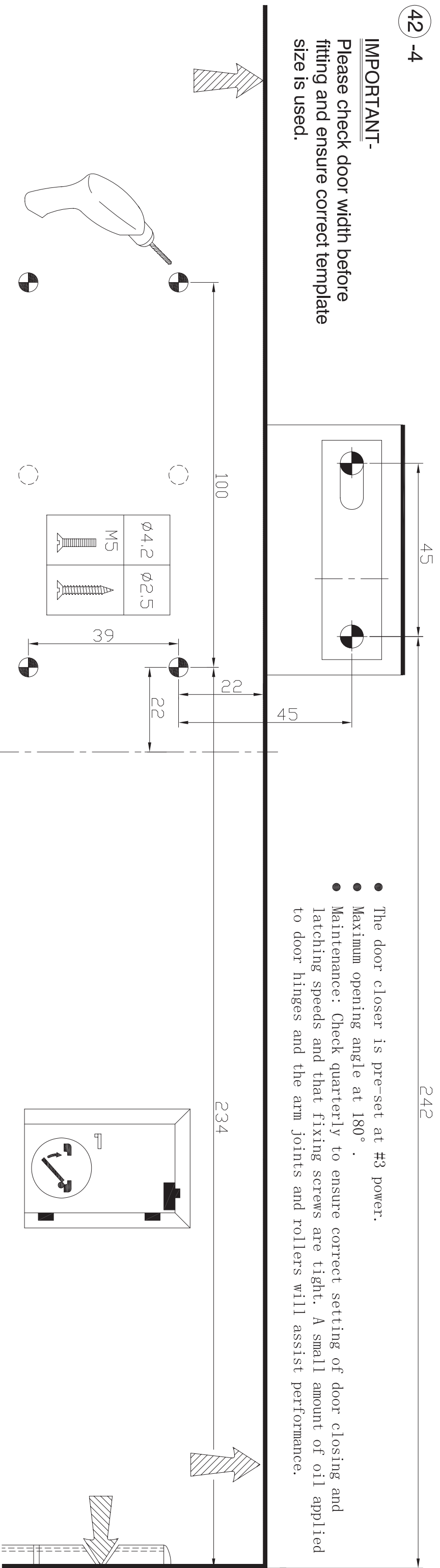


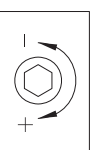
42 -4

IMPORTANT-

Please check door width before fitting and ensure correct template size is used.



Size Force



| Size Force | Size Force | Max. door width |
|------------|------------|-----------------|
| -5 turns | 2 | 850mm |
| 0 turn | 3 | 950mm |
| +5 turns | 4 | 1100mm |
| +9 turns | 5 | 1250mm |

Delayed Action Back Check

- / + - / +

