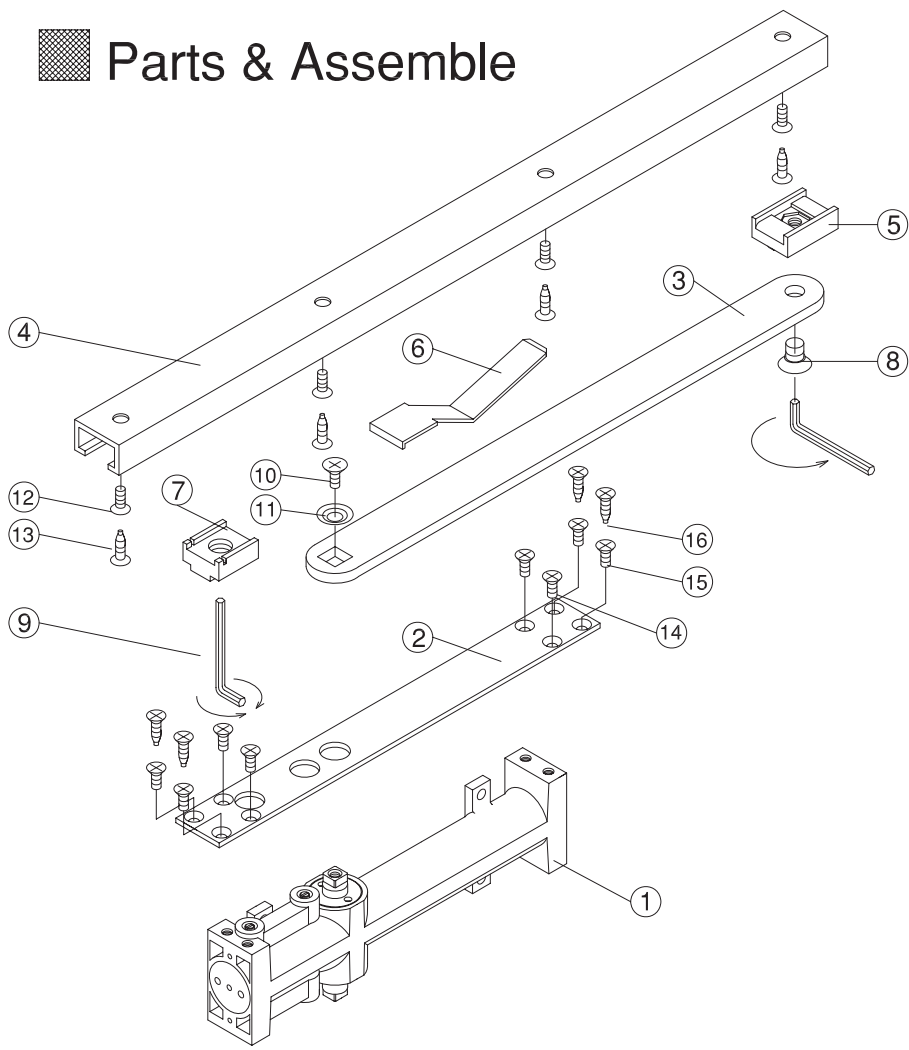
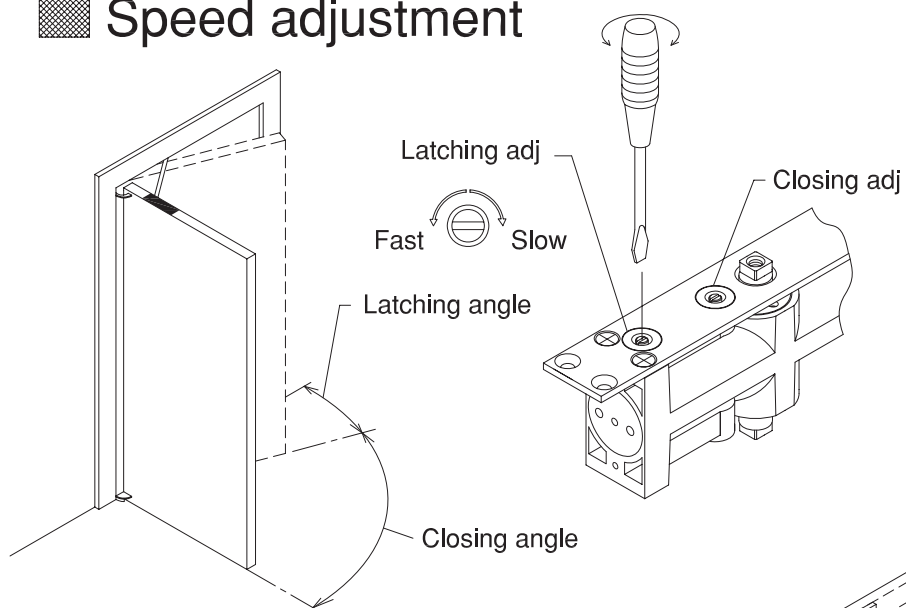


Parts & Assemble

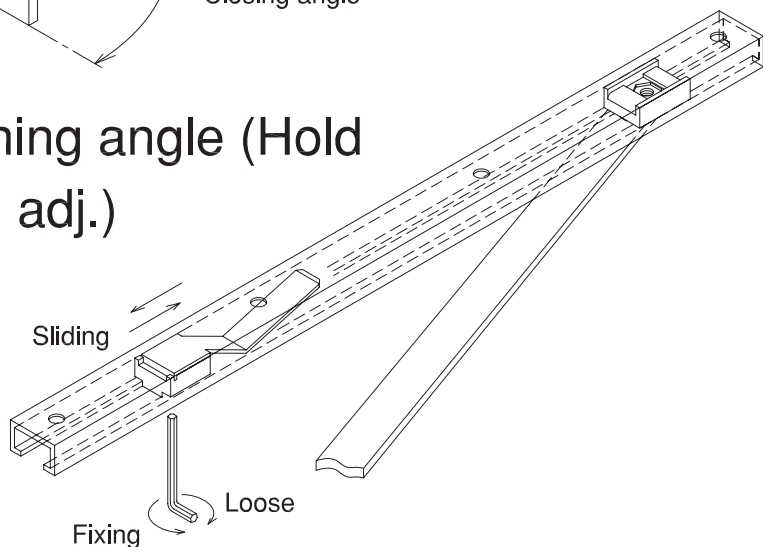


| NO | Parts | QTY |
|----|--------------------------|-----|
| ① | Body | 1 |
| ② | Fixing plate | 1 |
| ③ | Main arm | 1 |
| ④ | Track | 1 |
| ⑤ | Stopper | 1 |
| ⑥ | Spring plate | 1 |
| ⑦ | Fixing part | 1 |
| ⑧ | Fixing screw M8 | 1 |
| ⑨ | Wrench 5mm | 1 |
| ⑩ | M5x12L | 1 |
| ⑪ | Washer | 1 |
| ⑫ | M5x15L | 4 |
| ⑬ | 3/16"x1"L (wooden screw) | 4 |
| ⑭ | M5x12L | 4 |
| ⑮ | M5x15L | 4 |
| ⑯ | 3/16"x1"L (wooden screw) | 4 |

Speed adjustment

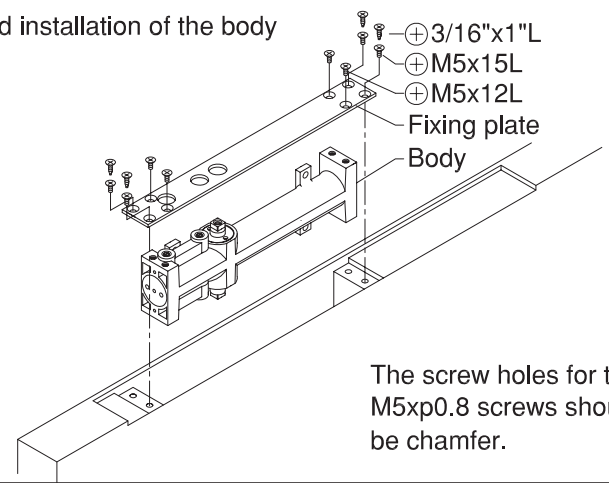


Opening angle (Hold open adj.)



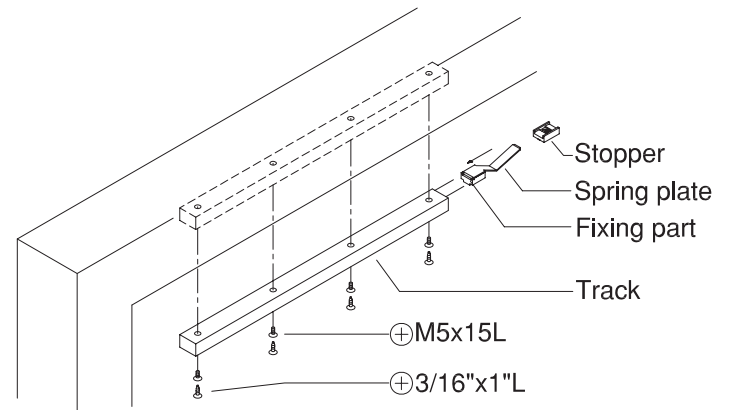
Suitable for RH/LH USE
INSTALLATION

① Fixing and installation of the body

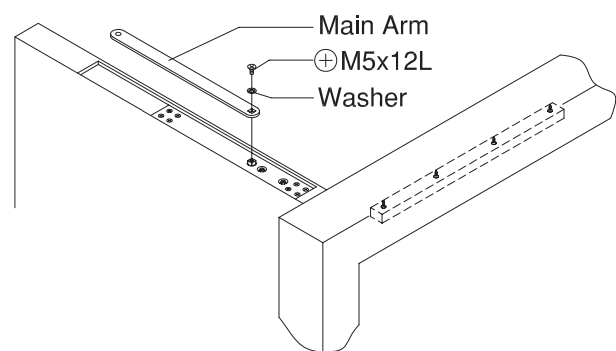


The screw holes for the M5x0.8 screws should be chamfer.

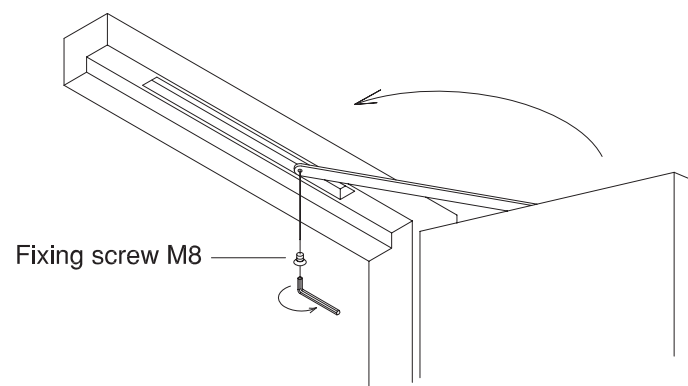
② Fixing and installation of the track arm



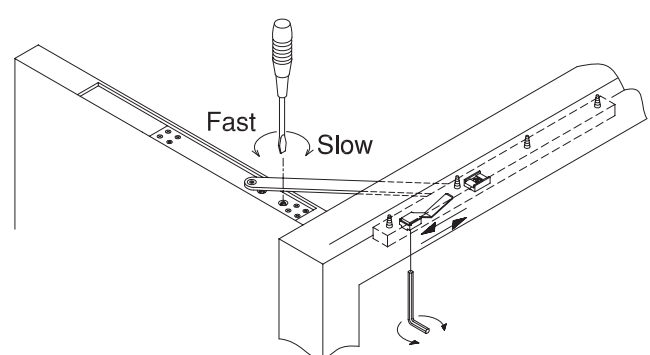
③ Combining the main arm and body



④ Combining the main arm and the sliding plastic part in the track



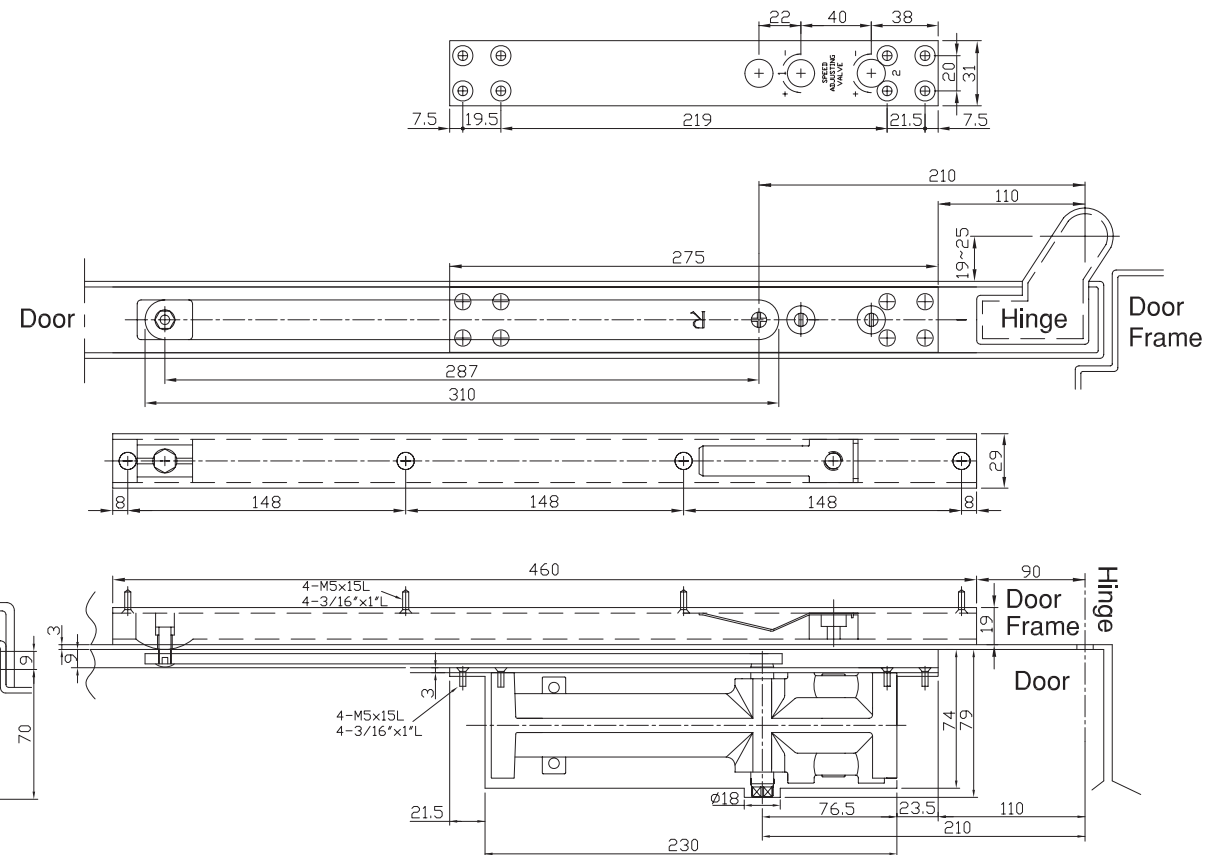
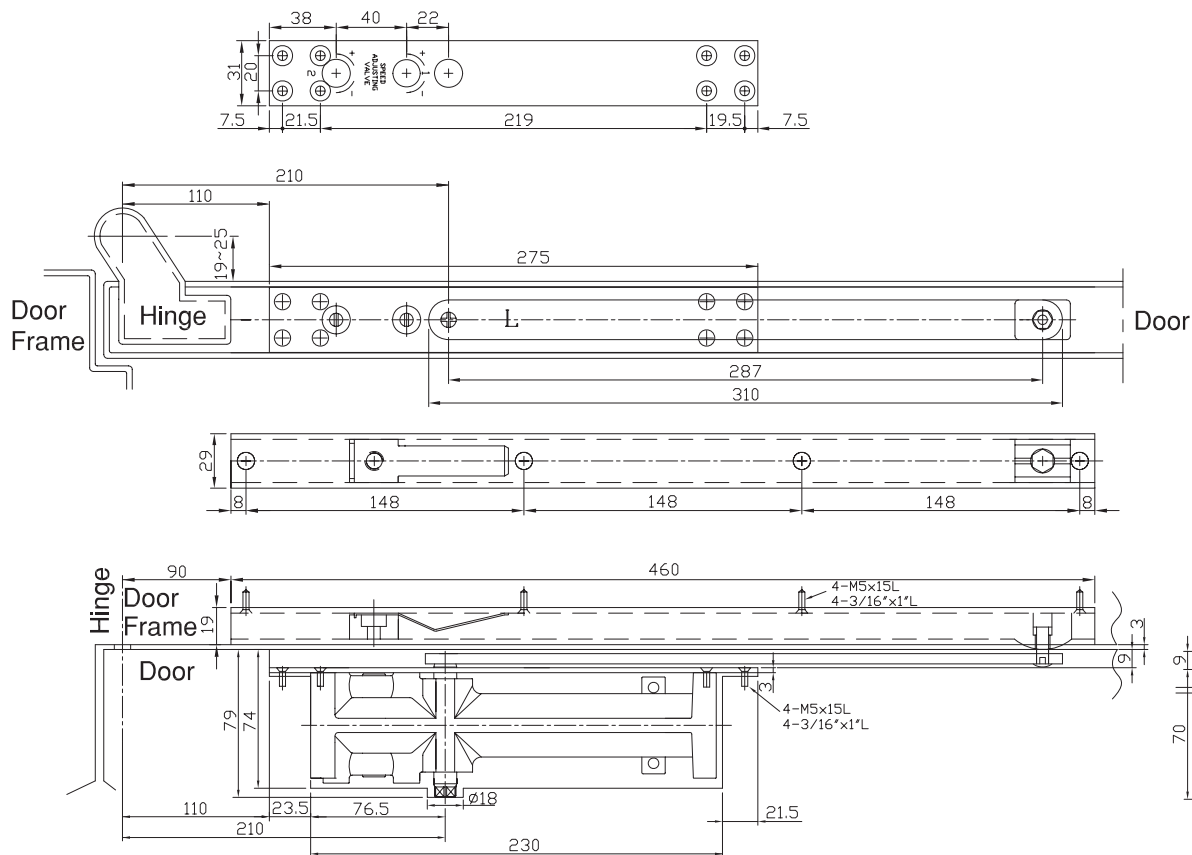
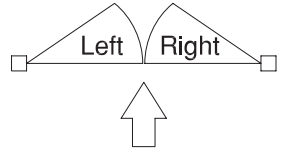
⑤ Opening angle and closing speed adjustment .



Concealed Door Closer

Left hand opening

Right hand opening



Left hand opening (Top jamb installation)

Right hand opening (Top jamb installation)

