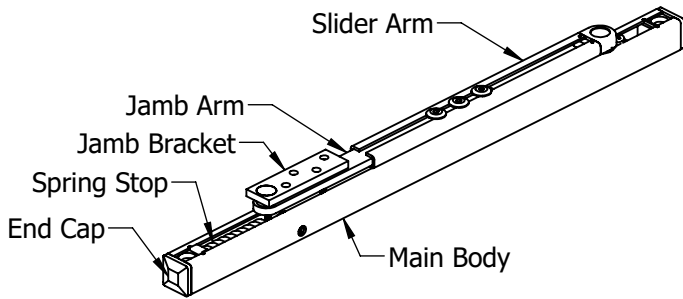


1. PARTS

Screw Chart

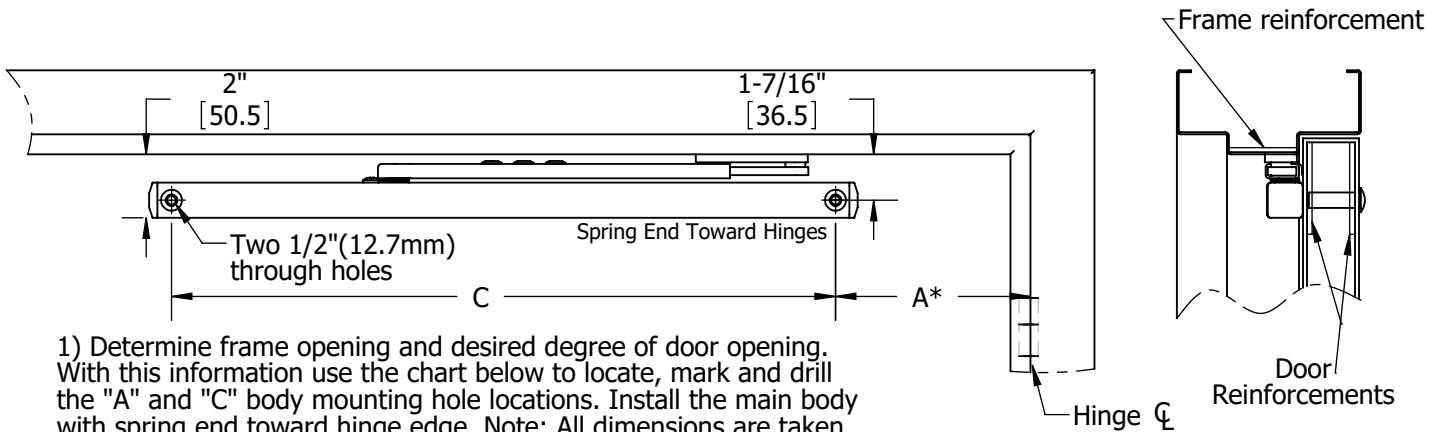


HARDWARE	QTY	Screw type
Jamb	4	#14 x 1-1/2" FPHWS
	4	1/4-20 x 5/8" FPHMS
Door	2	5/16"-18 x 1-1/2" FPHMS
	2	5/16"-18 x 1-9/16" THRU BOLTS
Arm	3	5/16"-18 x 5/16" HBHFS
	1	5/32" HEX KEY

Pre Installation Notes:

- Hollow metal frames must be properly reinforced with 3/16" [5] thick plates that are at least 12" [305] long.
- Hollow metal doors must be properly reinforced with 3/16" [5] thick plates that are at least 2-1/2" [64] wide.
- Hold open(7017) and Friction(7015) are not permitted for use on fire doors.
- Stop only(7016) is subject to job specification for fire door use.

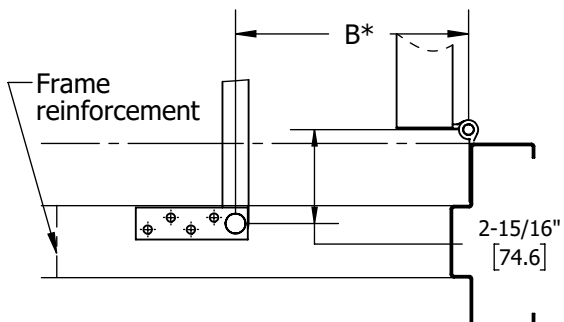
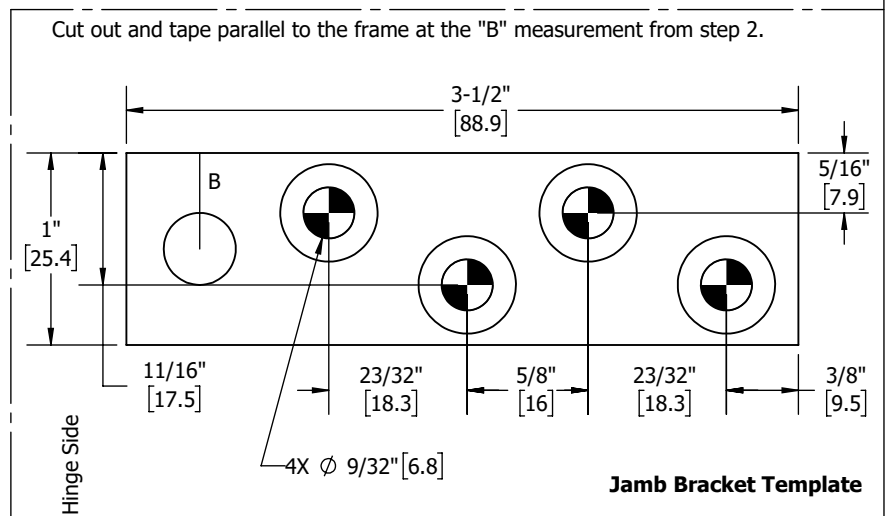
2. INSTALL OVERHEAD DOOR HOLDER/STOP (ODHS) (Right Hand Shown)



1) Determine frame opening and desired degree of door opening. With this information use the chart below to locate, mark and drill the "A" and "C" body mounting hole locations. Install the main body with spring end toward hinge edge. Note: All dimensions are taken from the hinge center line.

ODHS Size	Door Width	85-95 degree of opening		96-110 degree of opening		C
		A	B	A	B	
7000 SZ1	24"-30"	1-3/8" [34.9]	7" [177.8]	1-3/8" [34.9]	7" [177.8]	20-3/4" [527]
	31"-40"	6" [152.4]		5" [127]		
7000 SZ2	41"-45"	11-1/2" [292.1]	11" [279.4]	10" [254]	10" [254]	25-13/16" [655.6]
	46"-55"	16" [406.4]		14-1/2" [368.3]		

2) Locate and mark desired dimension "B" from the chart above. Cut out the "Jamb Bracket Template" from the bottom of the page and align on frame to locate and drill the four jamb bracket mounting holes. Install the jamb bracket. Note: All dimensions are taken from the hinge center line.



All dimensions are in inches and [mm]

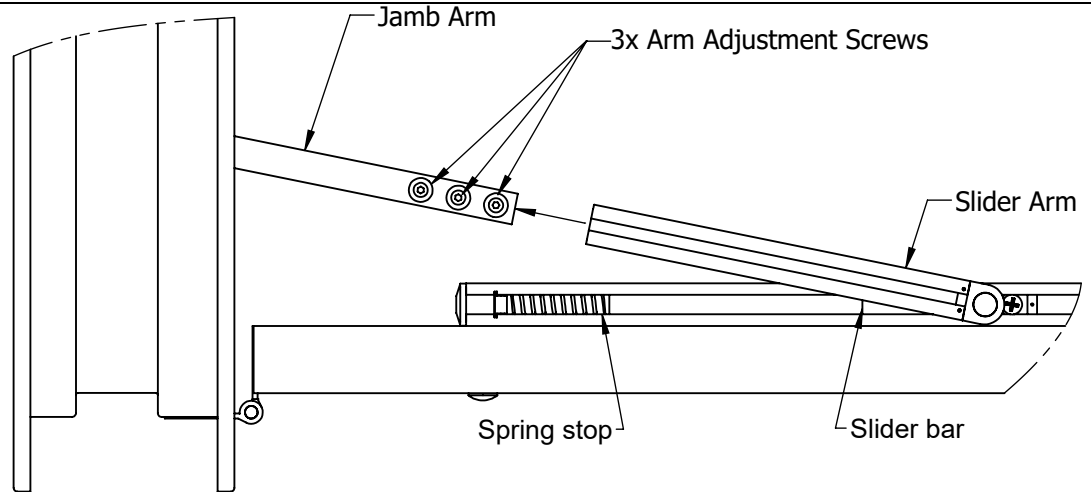
DRAWING NO: I-CL00316

REV:05

SHEET 1 OF 2

3. ARM ALIGNMENT

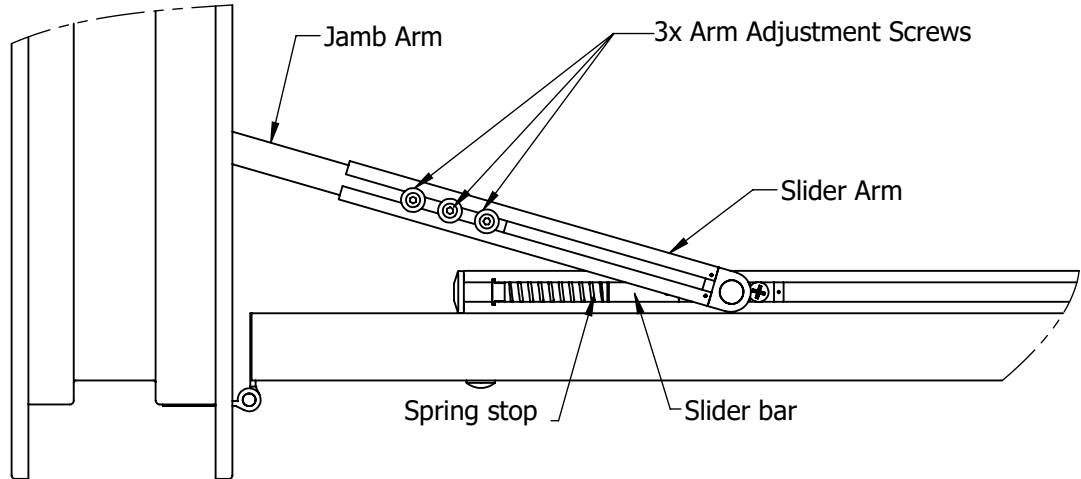
Open the door then align and insert the jamb arm into the slider arm.



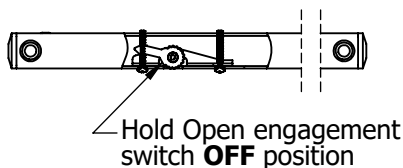
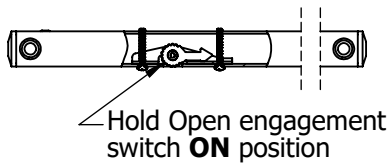
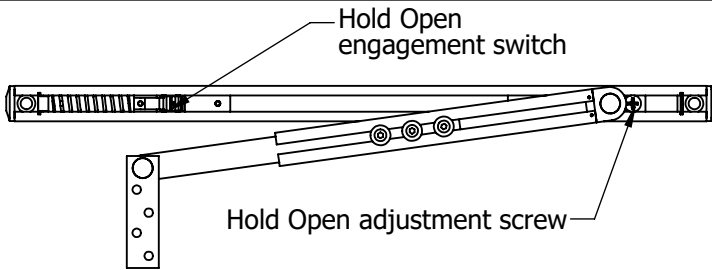
4. SETTING DESIRED DOOR OPENING

If it applies, disengage the hold open engagement switch (step 5a). With the door held at the desired maximum opening angle, position the slider bar against the stop spring. Then tighten the three friction arm screws to **12 ft-lbs [16.3 Nm]**

If dead stop is required, position the door 5-7 degrees less than the desired dead stop and tighten as instructed.

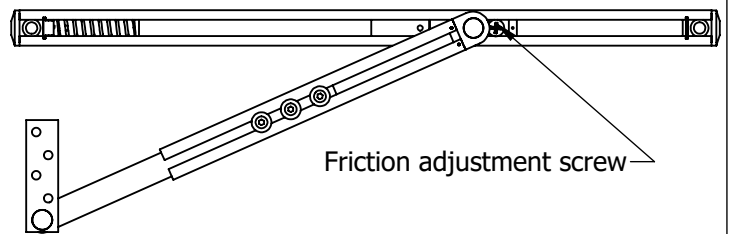


5a. OPTIONAL HOLD OPEN (7017)



Using a Philips screwdriver, turn the hold open adjustment screw clockwise to increase the hold-open tension and counter-clockwise to lower the tension.

5b. OPTIONAL FRICTION HOLD OPEN (7015)



Using a flat head screwdriver, turn the friction adjustment screw clockwise to increase the friction and counter-clockwise to lower the friction.