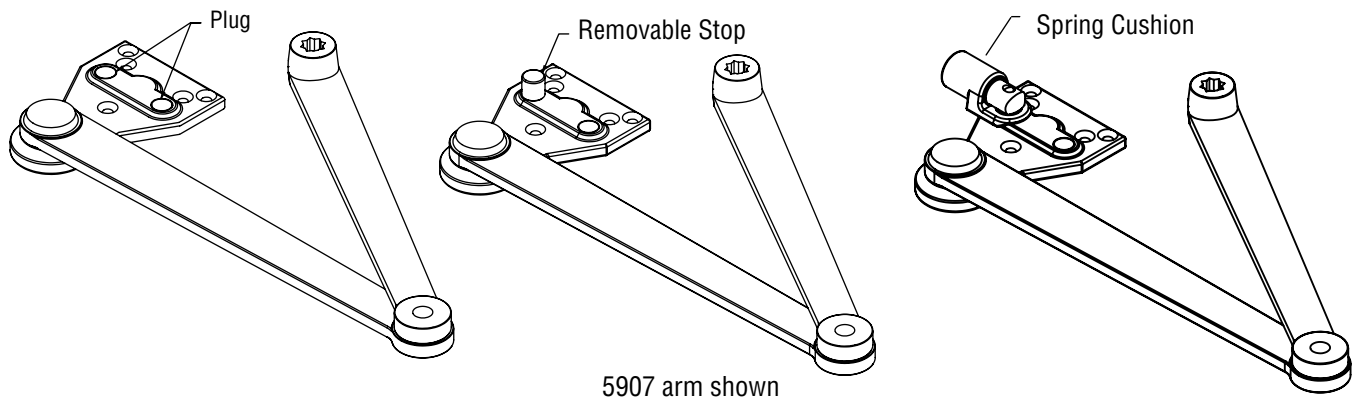


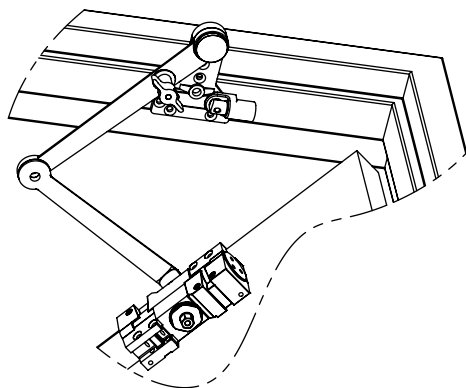
THIS KIT CAN BE USED WITH THE FOLLOWING HAGER SPRING ARM PRODUCTS:

5125 (HDS), 5906 (HDHOS), 5907 (HDS), 5961 (HDHOS), 5954 (HDHOCs), 5955 (HDCS), 5956 (HDHOCs), and 5957 (HDCS)

OVERVIEW



INSTALLATION INSTRUCTIONS



5961 arm shown (right hand)

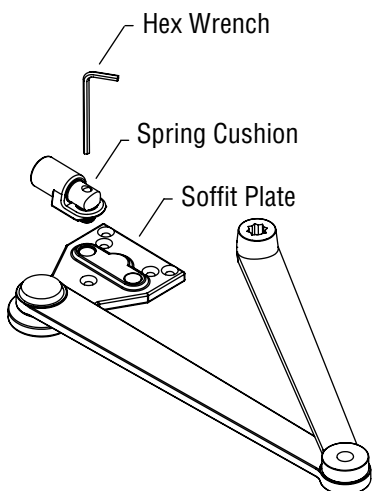
5125 and 5961 Arm Only

Determine hand of arm required and remove appropriate plug. Position spring cushion assembly on soffit plate and, using the 5/32" hex wrench provided, thread assembly to soffit plate.

Existing 5906 and 5907 Arm Only

Remove stop from existing plate. Position spring cushion assembly on soffit plate and thread assembly to soffit plate using the 5/32" hex wrench provided.

Please note that where severe or abusive conditions are expected, a separate door stop is recommended to assist in preventing damage to the door closer and closer arm as well as the door, frame, and adjacent walls.



5954	5961 + spring cushion
5955	5125 + spring cushion
5956	5906 + spring cushion
5957	5907 + spring cushion