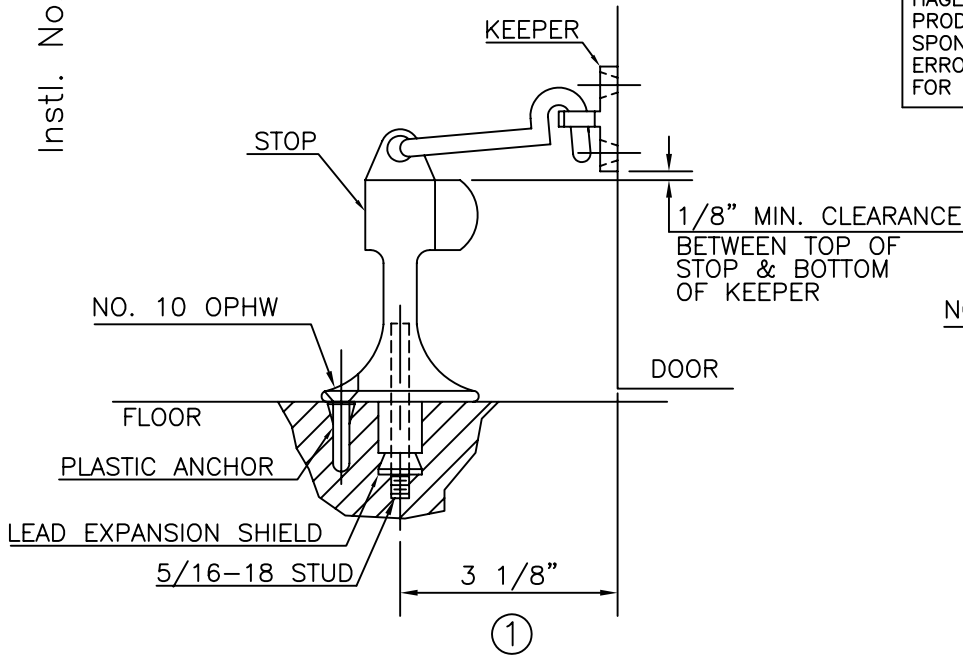


# INSTALLATION INSTRUCTIONS DOOR STOP AND KEEPER

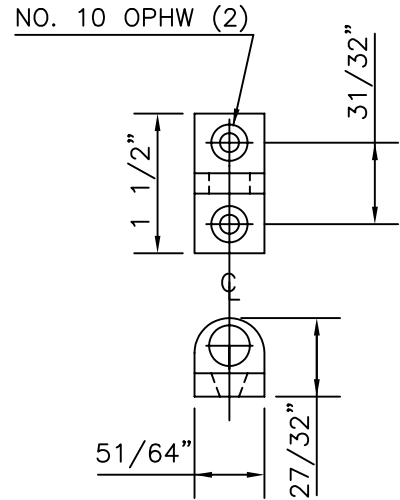
Instl. No. I-268F  
Rev. '93 (9-8-93)

Instl. No. I-268F

HAGER RESERVES THE RIGHT TO MAKE PRODUCT CHANGES AND IS NOT RESPONSIBLE FOR OBSOLETE TEMPLATE ERRORS. CALL 1-800-325-9995 FOR CURRENT INFORMATION.

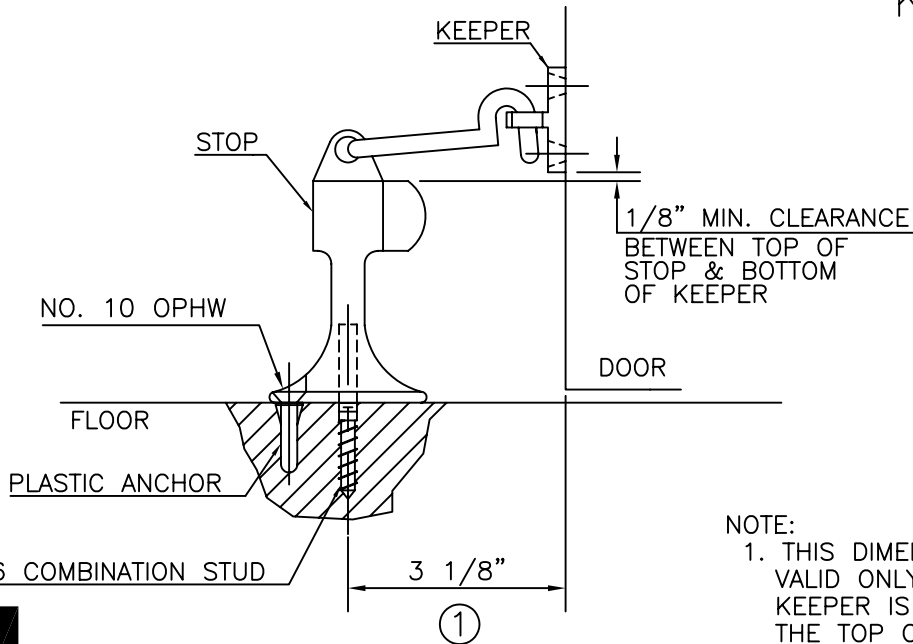


SHIELD MOUNTING  
FOR MASONRY OR CONCRETE FLOORS



KEEPER  
SCALE: 1/2

J:\INSTL\I-268F



STUD MOUNTING  
FOR WOOD FLOORS

NOTE:  
1. THIS DIMENSION IS VALID ONLY WHEN THE KEEPER IS 1/8" FROM THE TOP OF THE STOP.



HAGER HINGE CO.  
139 Victor St.  
St. Louis, MO 63104

Instl. No. I-268F