

FULL SURFACE REINFORCING PIVOT INSTALLATION INSTRUCTIONS

**TEMPLATE NO. I-250
REV. 3**

FOR PIVOT 253 (NON-HANDED)
NOTE: RIGHT HAND SHOWN

STEP NO. 1

TO LOCATE PIVOT ON FRAME, SET A COMBINATION SQUARE ON 3/4 [19.1] AND PLACE THE EDGE OF THE SQUARE AGAINST THE TOP INSIDE EDGE OF THE FRAME AND MAKE A COUPLE OF MARKS. SET THE SQUARE ON 1-1/4 [31.8] AND DO THE SAME THING. (SEE FIGURE 1)

SET THE COMBINATION SQUARE ON 1-7/32 [31.1] FOR A HINGE WITH A STANDARD .054" SWAGE. 1-3/16 FOR A ZERO SWAGE HINGE. PLACE THE SQUARE AGAINST THE FRAME IN THE VERTICAL POSITION AND MAKE A COUPLE OF MARKS. (SEE FIGURE 2)

WITH THE SQUARE INTERSECT THE 1-1/4 LINE AND 3/4 LINE. CENTER PUNCH THIS LOCATION. MEASURE 5-1/4" FROM THIS SPOT ON THE 3/4 LINE AND CENTER PUNCH THIS SPOT. (SEE FIGURE 3)

MEASURE 1-3/4 FROM THE FIRST SPOT ON THE 1-1/4 LINE AND CENTER PUNCH THAT. MEASURE ANOTHER 1.75 FROM THAT POINT AND CENTER PUNCH AGAIN. (SEE FIGURE 4)

STEP NO. 2

DRILL HOLES AS REQUIRED PER SCHEDULE

METAL FRAME -DRILL .201" (5.11 mm) DIAMETER HOLES (NO. 7 DRILL) AND TAP FOR 1/4-20 MACHINE SCREW.

NOTE: IF MATERIAL THICKNESS IS NOT SUFFICIENT OR WHEN HOLLOW METAL FRAMES ARE NOT REINFORCED, USE 1/4 x 1 1/4" TYPE A SHEET METAL SCREW.

WOOD FRAME -DRILL PILOT HOLES AND INSTALL WOOD SCREWS. INSTALL FRAME PIVOT. (SEE FIGURE 5) **NOTE: REMOVE THE BRONZE BUSHING THAT IS NOT BEING USED SO THAT IT WILL NOT INTERFERE WITH PIVOT MOVEMENT.**

STEP NO. 3

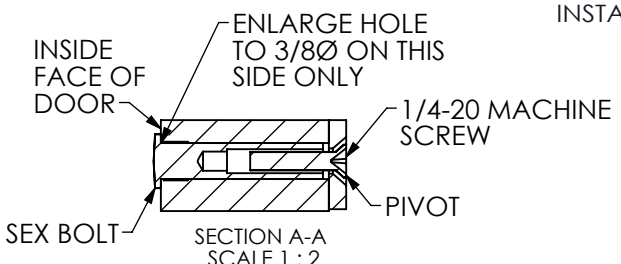
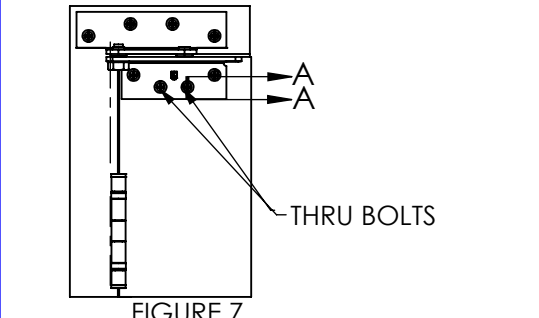
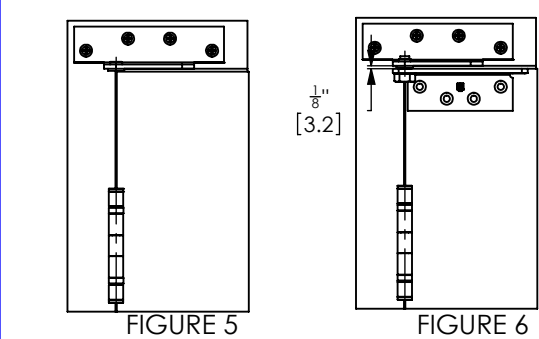
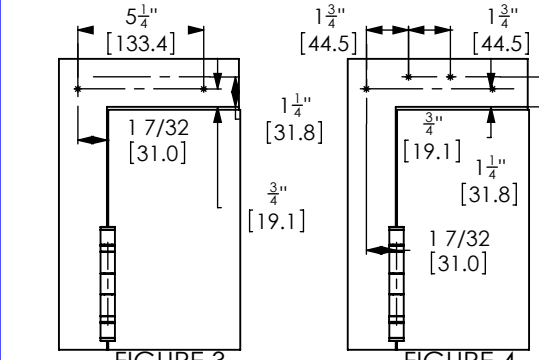
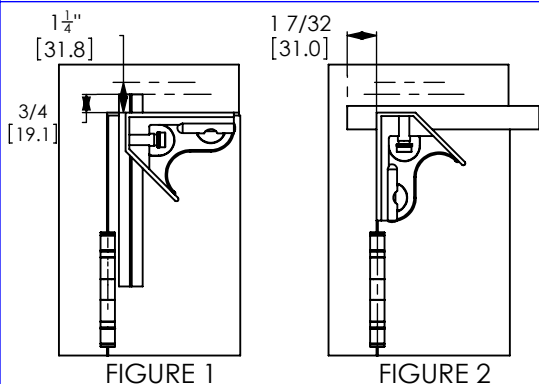
WITH DOOR IN PLACE, CHECK TO BE SURE THAT HINGES ARE FIRMLY ATTACHED AND THERE IS PROPER CLEARANCE BETWEEN DOOR AND FRAME AT ALL SIDES OF JAMB AND DOOR BOTTOM. IF DOOR TENDS TO SAG AWAY FROM HINGE JAMB AT TOP, DRIVE WEDGES BETWEEN FRAME AND DOOR AT OPPOSITE STRIKE SIDE AND REALIGN HINGES UNTIL DOOR IS PROPERLY POSITIONED TO SWING FREE.

STEP NO. 4

PLACE DOOR PORTION OF PIVOT (WITH PIN IN PLACE) ON DOOR AND MOVE INTO POSITION SO THAT PIN ENTERS THE BRONZE BUSHING. WHEN PROPERLY ALIGNED WITH LOWER PART MAKING LIGHT CONTACT WITH BEARING FLANGE, HOLD FIRMLY IN PLACE, PARALLEL WITH TOP OF DOOR, AND MARK HOLE LOCATIONS. (SEE FIGURE 6)

STEP NO. 5

REPEAT DRILLING INSTRUCTIONS NOTED IN STEP NO. 2. **NOTE:** USE TWO (2) THRU BOLTS (SEX BOLTS) FURNISHED WITH EACH PIVOT. USE AS REQUIRED FOR HOLLOW METAL, OR MINERAL CORE DOORS. DRILL 1/4" (6.35 mm) HOLE THROUGH DOOR. ENLARGE HOLE ON SIDE OPPOSITE PIVOT ONLY TO 3/8" (9.53 mm) DIAMETER FOR SEX BOLT. (SEE FIGURE 7)
INSTALL DOOR PIVOT



NOTES:
1. DIMENSIONS () ARE MILLIMETERS

REVISION			
REV	ECO NO	BY	DATE
1	ECO CT08014	KKJ	04/15/09
2	ECO CT10001	KKJ	06/22/10
3	ADDED TABLE	KKJ	12/16/10

REFERENCE PART NUMBER: 737-0011

HAGER RESERVES THE RIGHT TO MAKE DESIGN CHANGES WITHOUT NOTICE. CALL HAGER ENGINEERING AT 1-800-325-9995 FOR THE LATEST REVISION DATE OF TEMPLATE.

TEMPLATE NO. **I-250**