

KPP57xx

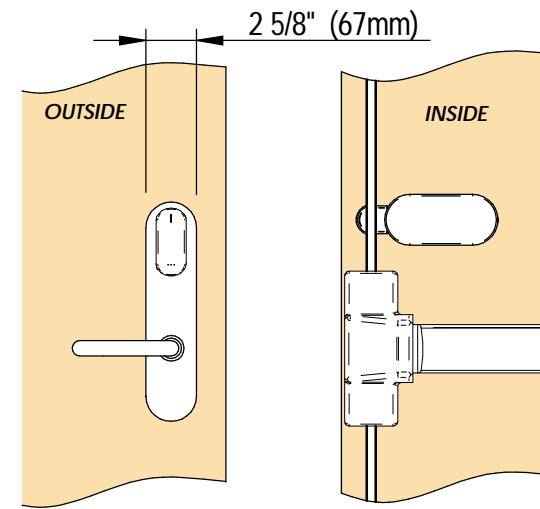
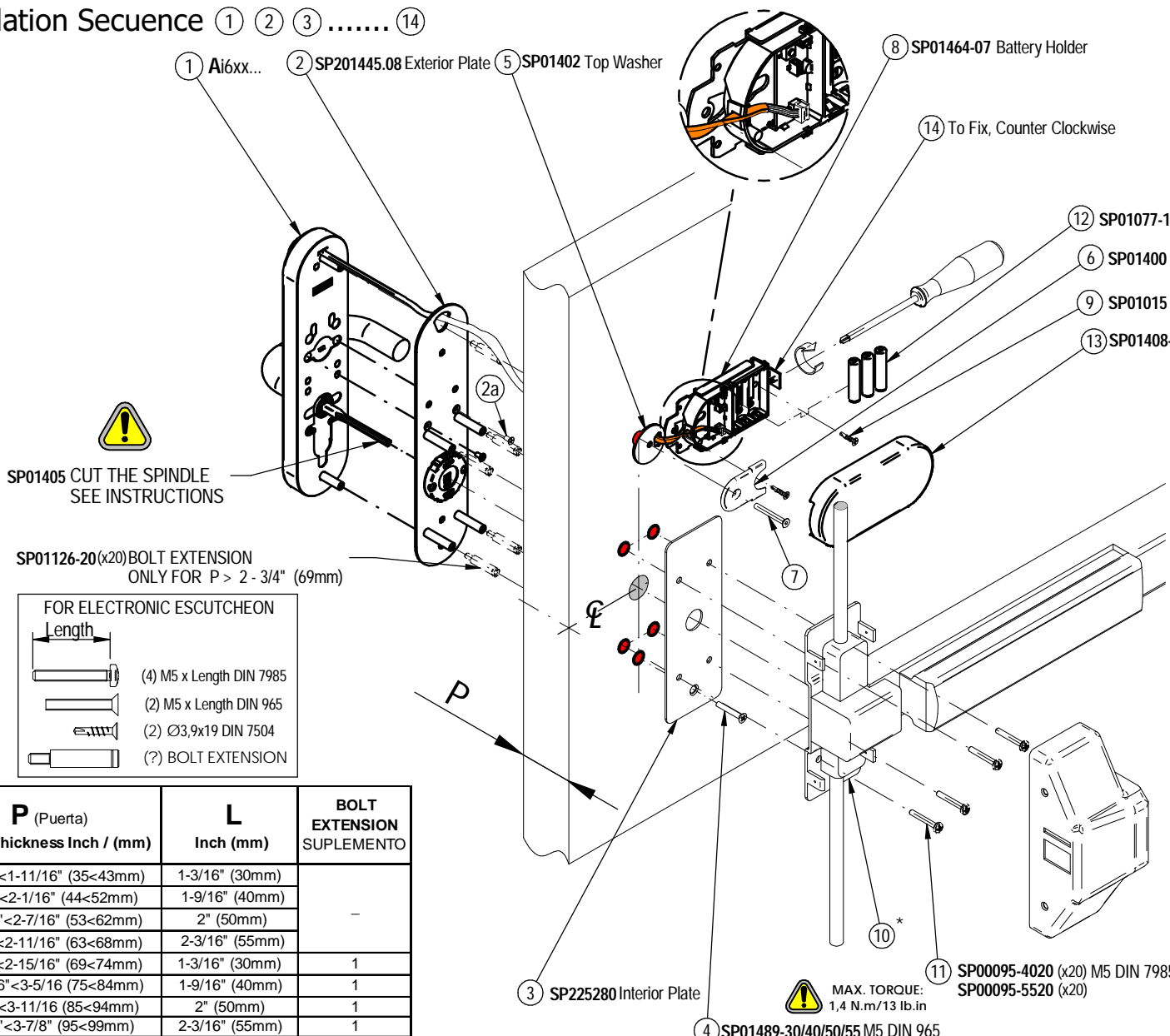
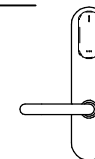
Adapter Kit For HAGER® 4501 SVR Panic Bar Two locking Points

Installation Sequence ① ② ③ ⑭

EXTERNAL ELECTRONIC ESCUTCHEONS

- Ⓔ COMPATIBLE MODELS
- Ⓔ MODELOS COMPATIBLES

Ai650m00ffcH8
Ai660m00ffcH8



⚠ AT THIS POINT DO NOT CLOSE THE DOOR TEST THE LOCK FIRST

FOR ELECTRONIC ESCUTCHEON

Length	
	(4) M5 x Length DIN 7985
	(2) M5 x Length DIN 965
	(2) Ø3,9x19 DIN 7504
	(?) BOLT EXTENSION

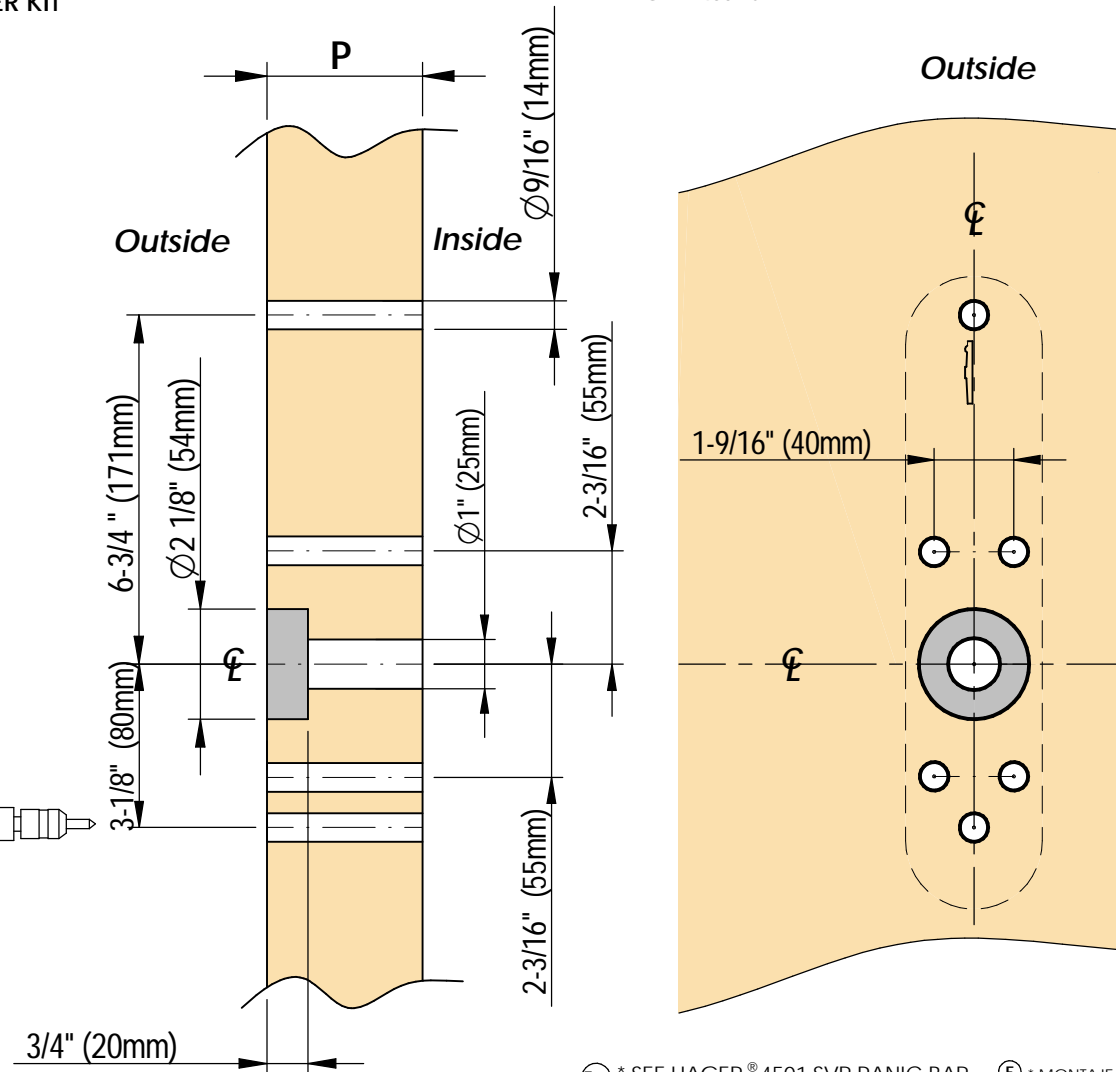
P (Puerta) Door Thickness Inch / (mm)	L Inch (mm)	BOLT EXTENSION SUPLEMENTO
1-3/8" < 1-11/16" (35 < 43mm)	1-3/16" (30mm)	-
1-3/4" < 2-1/16" (44 < 52mm)	1-9/16" (40mm)	
2-1/16" < 2-7/16" (53 < 62mm)	2" (50mm)	-
2-1/2" < 2-11/16" (63 < 68mm)	2-3/16" (55mm)	
2-3/4" < 2-15/16" (69 < 74mm)	1-3/16" (30mm)	1
2-15/16" < 3-5/16" (75 < 84mm)	1-9/16" (40mm)	1
3-3/8" < 3-11/16" (85 < 94mm)	2" (50mm)	1
3-3/4" < 3-7/8" (95 < 99mm)	2-3/16" (55mm)	1
3-15/16" < 4-1/8" (100 < 105mm)	1-3/16" (30mm)	2
4-3/16" < 4-1/2" (106 < 115mm)	1-9/16" (40mm)	2
4-9/16" < 4-3/4" (116 < 120mm)	2" (50mm)	2

⚠ MAX. TORQUE:
1,4 N.m/13 lb.in

Ⓔ * SEE HAGER® 4501 SVR PANIC BAR INSTALLATION INSTRUCTIONS
Ⓔ * MONTAJE BARRA ANTIPANICO HAGER® 4501 SVR SEGUN INSTRUCCIONES DEL FABRICANTE

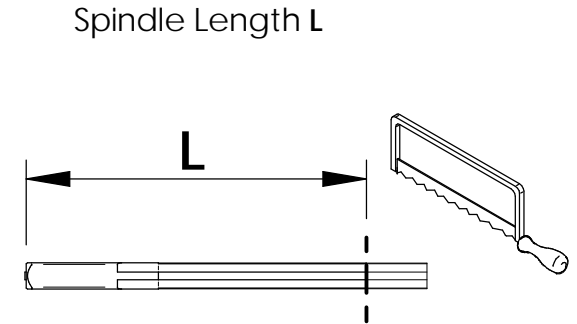
- Ⓜ DOOR PREPARATION: 2 STEPS
- ① -FOLLOW HAGER® 4501 SVR DOOR PREPARATION INSTRUCTIONS
 - ② -FOLLOW PRESENT SALTO DOOR PREPARATION SHEET INSTRUCTIONS FOR SALTO/HAGER® 4501 SVR ADAPTER KIT

- Ⓜ MECANIZADO DE PUERTA: 2 PASOS
- ① -SIGA LAS INSTRUCCIONES DE PREPARACION DE PUERTA HAGER® 4501 SVR
 - ② -SIGA LAS PRESENTES INSTRUCCIONES DE PREPARACION DE PUERTA PARA EL KIT DE ADAPTACION SALTO/HAGER® 4501 SVR



Ⓜ Cutting the Spindle

- Ⓜ Corte del Cuadradillo



$$L = P + 5/8"$$

$$L = P + 16\text{mm}$$

Ⓜ P= Door Thickness

Ⓜ P= Espesor de Puerta

Ⓜ * SEE HAGER® 4501 SVR PANIC BAR
INSTALLATION INSTRUCTIONS

Ⓜ * MONTAJE BARRA ANTIPANICO HAGER® 4501 SVR
SEGUN INSTRUCCIONES DEL FABRICANTE