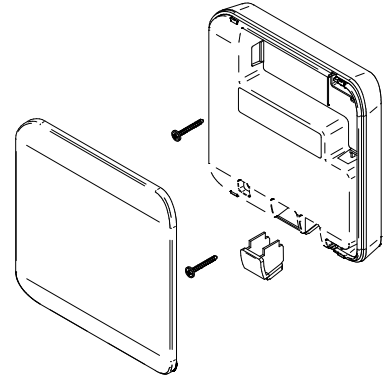
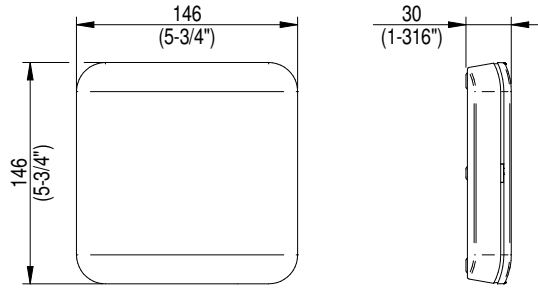
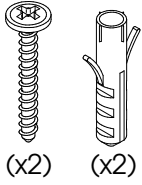


# Installation guide

IQ2.0

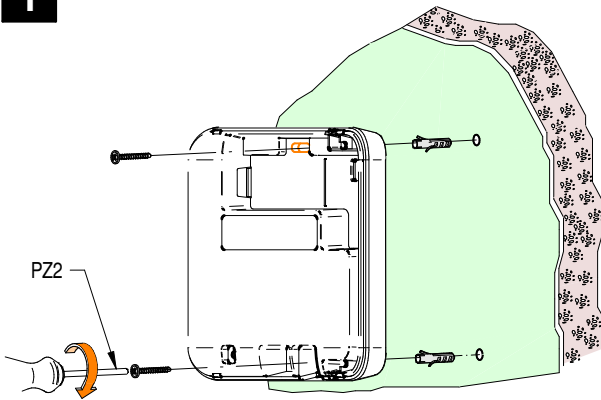
**SALTO**  
inspiredaccess

- (Eng) Installation guide
- (E) Guía de instalación
- (D) Montageanleitung
- (F) Guide d'installation
- (P) Guia de instalação

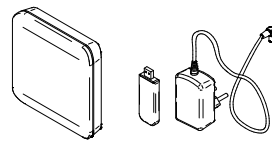


(Eng) Installation (E) Instalación (D) Installation (F) Installation (P) Instalação

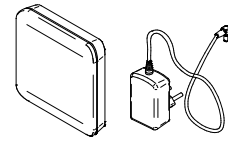
1



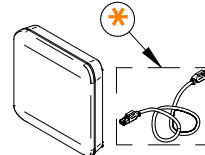
**a** ETHERNET + CELLULAR MODEL



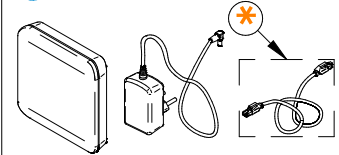
**b** ETHERNET + WIFI MODEL



**c** ETHERNET + POE MODEL



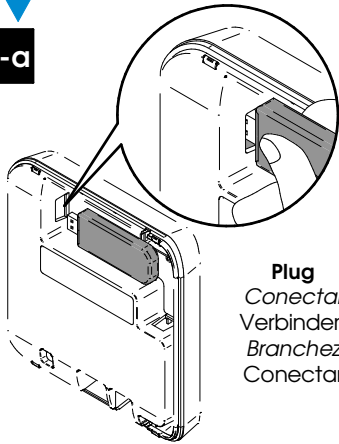
**d** ETHERNET MODEL



(\*)Not included/ No incluido/ Nicht enthalten/ Non inclus/ Não incluso

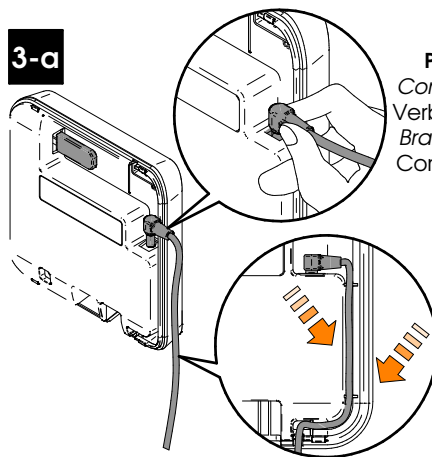
**a** ETHERNET + CELLULAR MODEL

2-a



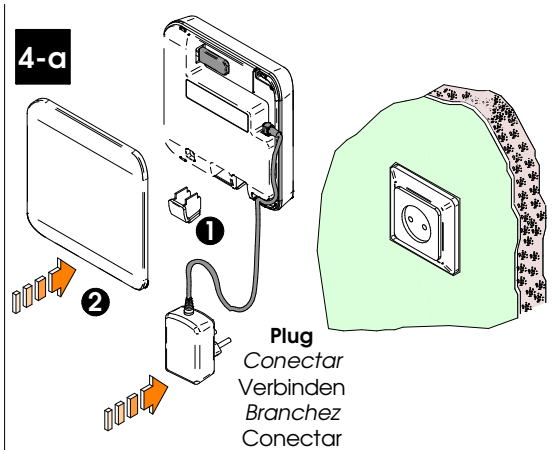
Plug  
Conectar  
Verbinden  
Branchez  
Conectar

3-a



Plug  
Conectar  
Verbinden  
Branchez  
Conectar

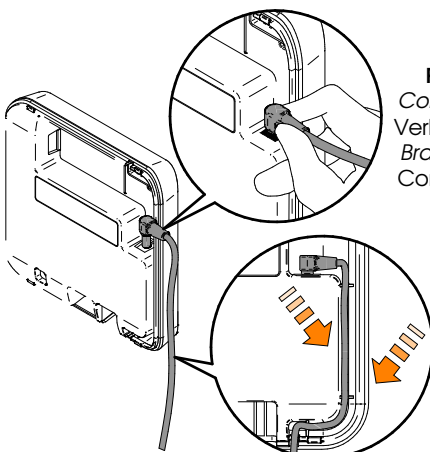
4-a



Plug  
Conectar  
Verbinden  
Branchez  
Conectar

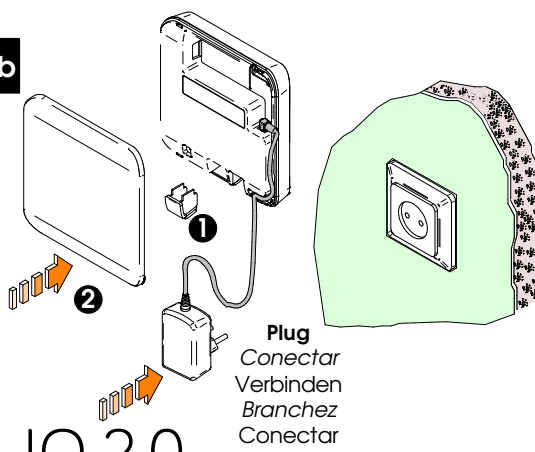
**b** ETHERNET + WIFI MODEL

2-b



Plug  
Conectar  
Verbinden  
Branchez  
Conectar

3-b



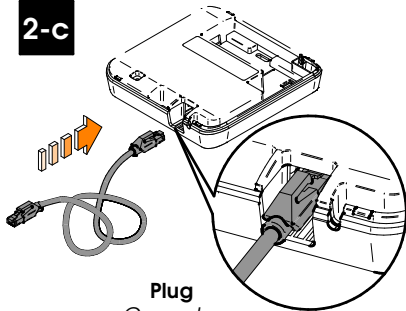
Plug  
Conectar  
Verbinden  
Branchez  
Conectar

IQ 2.0



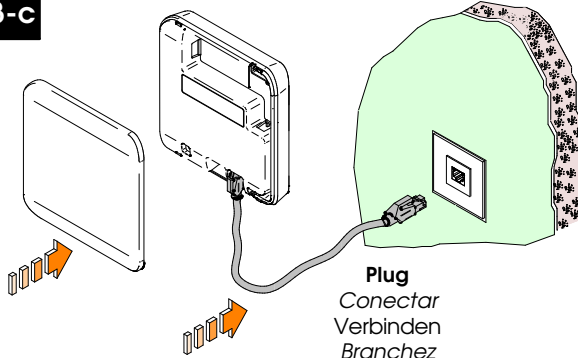
### ETHERNET + POE MODEL

2-c



**Plug**  
Conectar  
Verbinden  
Branchez  
Conectar

3-c

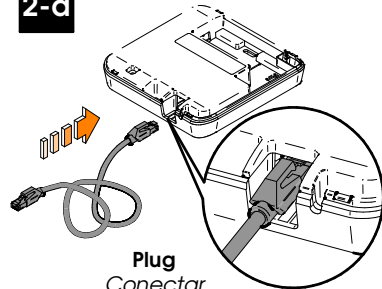


**Plug**  
Conectar  
Verbinden  
Branchez  
Conectar



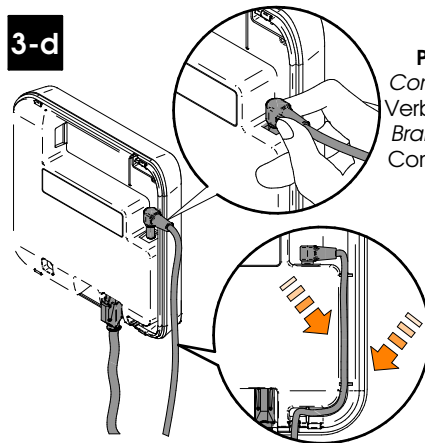
### ETHERNET MODEL

2-d



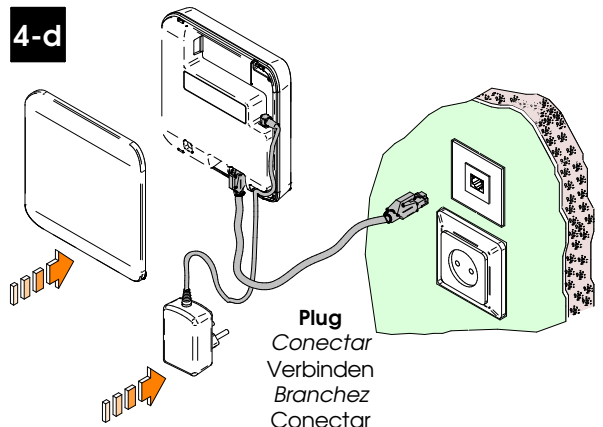
**Plug**  
Conectar  
Verbinden  
Branchez  
Conectar

3-d



**Plug**  
Conectar  
Verbinden  
Branchez  
Conectar

4-d



**Plug**  
Conectar  
Verbinden  
Branchez  
Conectar

### Eng Electrical features

- E Características eléctricas
- D Elektrische espezifikationen
- F Caracteristiques electriques
- P Características eléctricas

#### OPERATION CONDITIONS

	Min	Max	Unit
Temperature	0	40	°C

#### 2.4 Ghz RF CHARACTERISTICS

Frequency Range	2400-2483,5 Mhz (ISM band)
RF Standard	IEEE 802.15.4
Indoor Radio Range	10/15 m
Max output power	58 dBm

#### POWER SUPPLY CHARACTERISTICS

(Only for use with KS's power supply)

		Unit
Input Voltage	12	V
Max Current	750	mA

#### OTHER CHARACTERISTICS:

<b>WIFI</b>
IEEE 802.11 b/g/n radio
Frequency range 2400-2483,5 Mhz (ISM band)
Max output power 21,1 dBm

<b>BLE</b>
Bluetooth 4.2 Compliant
Integrated antenna
TX power: up to +8dBm
RX sensitivity: down to -92dBm
Frequency range 2400-2483,5 Mhz (ISM band)

<b>POE</b>
The POE connection complies to IEEE 802.3af (max 15.40W, also known as 802.3a Type 1)



**To ensure a correct operation, do not install the device near a metallic surface.**

Para asegurar un correcto funcionamiento, no instalar el dispositivo cerca de una superficie metálica.

Um einen einwandfreien Betrieb zu gewährleisten, installieren Sie das Gerät dann nicht in der Nähe von einer metallischen Oberfläche.

Pour assurer un fonctionnement correct, n'installez pas l'appareil près d'une surface métallique.

Para assegurar o funcionamento adequado, não instale o aparelho perto de uma superfície de metal