

KPB47xx..

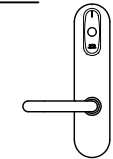
Adapter Kit For HAGER® 4500 Panic Bar Single Point

Installation Sequence ① ② ③ ⑪

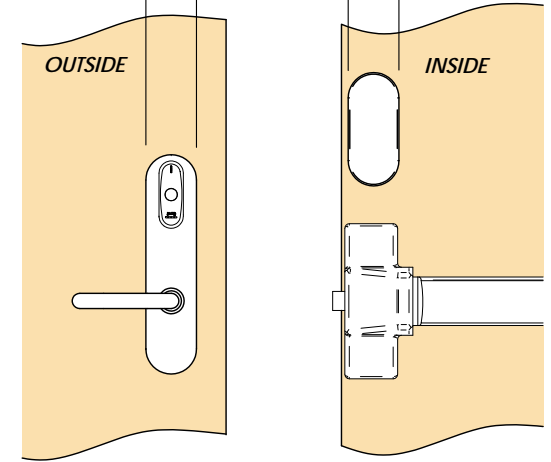
EXTERNAL ELECTRONIC ESCUTCHEONS

- Eng COMPATIBLE MODELS
- E MODELOS COMPATIBLES

Ai650m00ffH8
Ai660m00ffH8

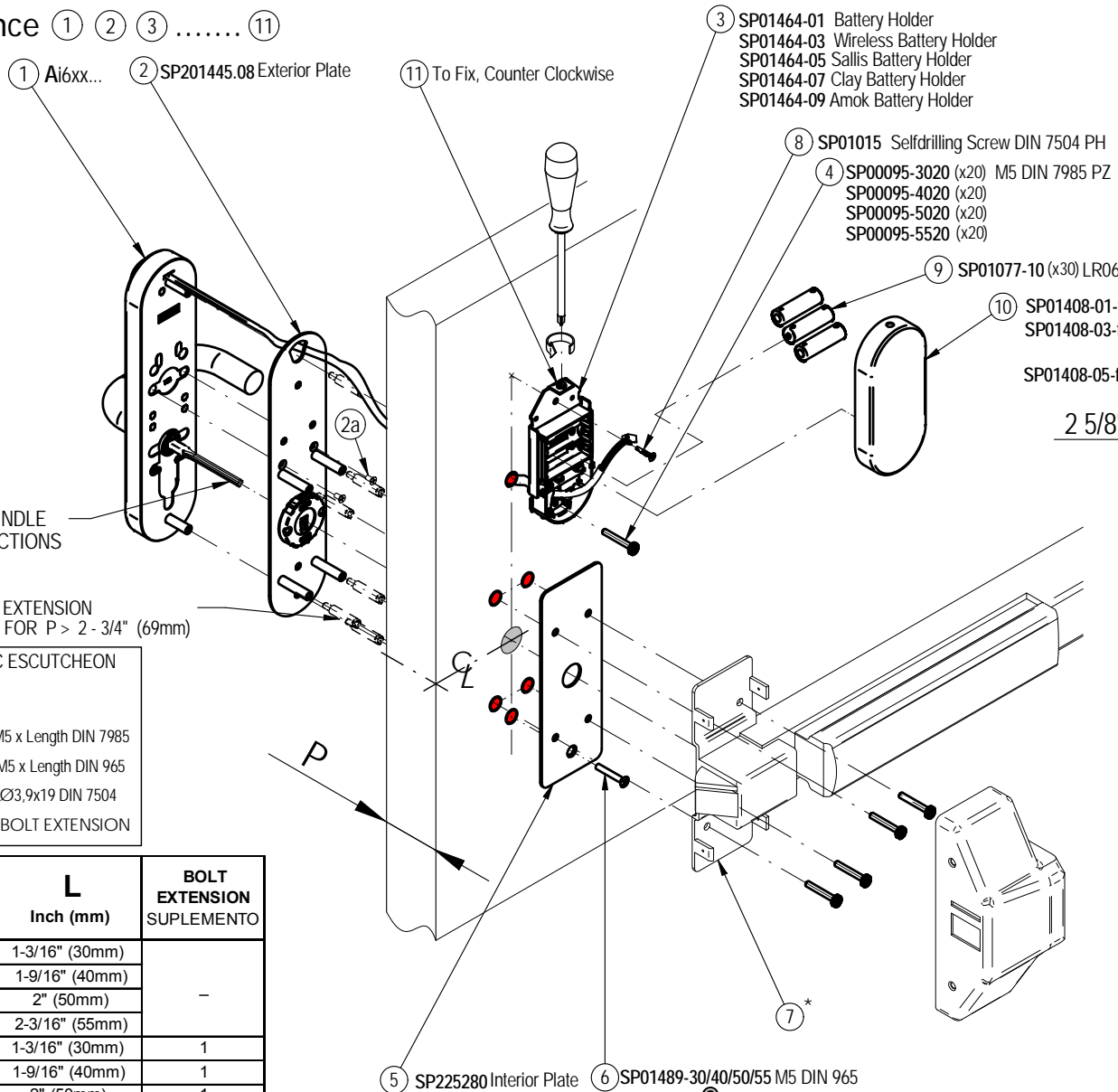


2 5/8" (67mm) 2 5/8" (67mm)



⚠ AT THIS POINT DO NOT CLOSE THE DOOR TEST THE LOCK FIRST
follow user manual

- Eng **Only Wireless Models:**
-Exit detection depending of the panic bar model.
-Panic bars with no exit detection, will cause an intrusion alarm each time the door is opened from inside.
- E **Sólo Mo delos Wireles:**
-La detección de salida depende del modelo de barra antipánico.
-Barras antipánico sin detector de salida, pueden causar una alarma de intrusión cuando la puerta sea abierta desde el interior.



- ③ SP01464-01 Battery Holder
- SP01464-03 Wireless Battery Holder
- SP01464-05 Sallis Battery Holder
- SP01464-07 Clay Battery Holder
- SP01464-09 Amok Battery Holder

- ⑧ SP01015 Selfdrilling Screw DIN 7504 PH
- ④ SP00095-3020 (x20) M5 DIN 7985 PZ
- SP00095-4020 (x20)
- SP00095-5020 (x20)
- SP00095-5520 (x20)

- ⑨ SP01077-10 (x30) LR06

- ⑩ SP01408-01-ff Battery Cover
- SP01408-03-ff Wireless/Sallis/Clay Battery Cover
- SP01408-05-ff Amok Battery Cover



SP01405 CUT THE SPINDLE SEE INSTRUCTIONS

SP01126-20(x20) BOLT EXTENSION ONLY FOR P > 2 - 3/4" (69mm)

FOR ELECTRONIC ESCUTCHEON

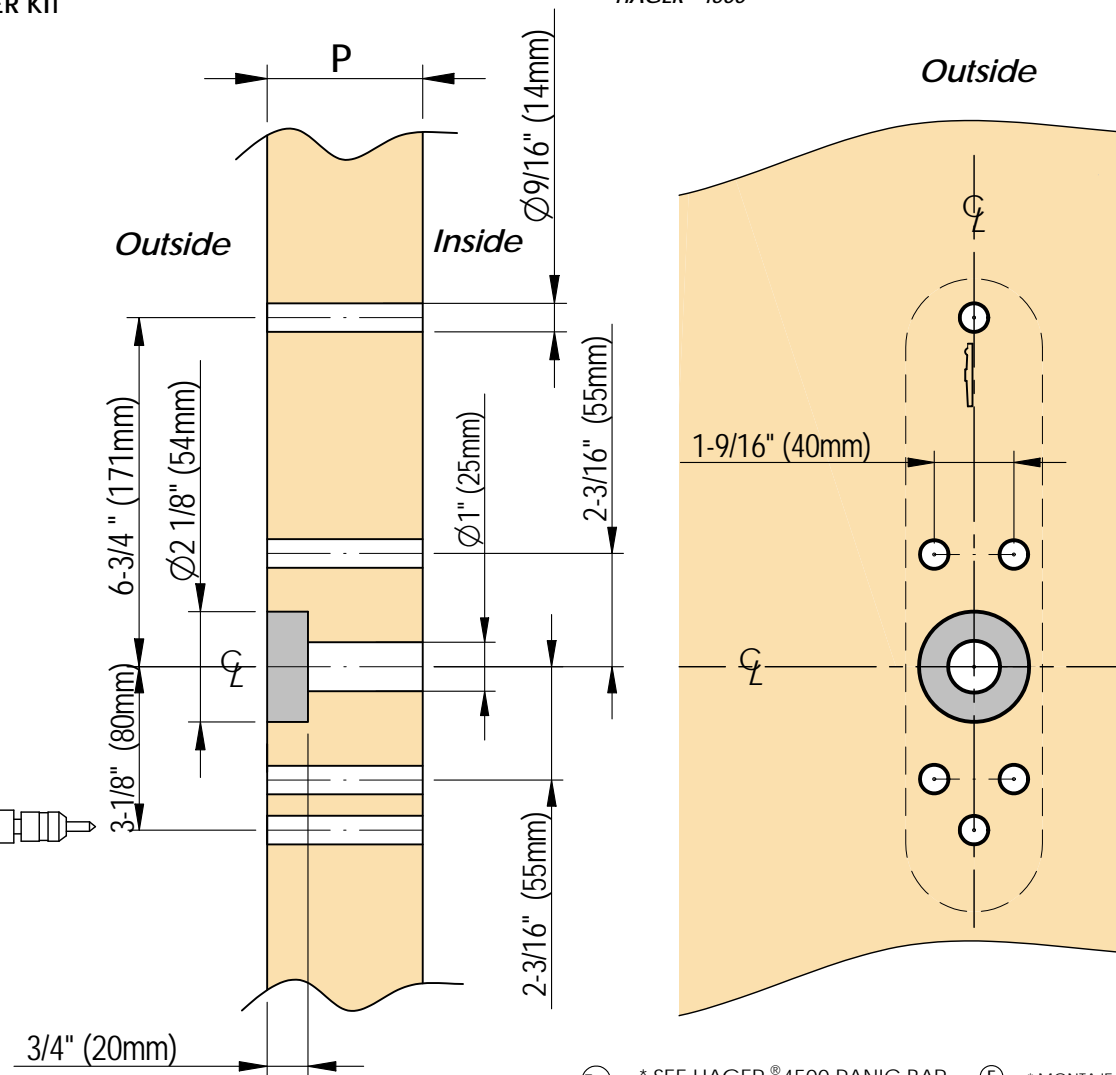
Length	
	(5) M5 x Length DIN 7985
	(1) M5 x Length DIN 965
	(1) Ø3,9x19 DIN 7504
	(?) BOLT EXTENSION

P (Puerta) Door Thickness Inch / (mm)	L Inch (mm)	BOLT EXTENSION SUPLEMENTO
1-3/8"<1-11/16" (35<43mm)	1-3/16" (30mm)	-
1-3/4"<2-1/16" (44<52mm)	1-9/16" (40mm)	
2-1/16"<2-7/16" (53<62mm)	2" (50mm)	-
2-1/2"<2-11/16" (63<68mm)	2-3/16" (55mm)	
2-3/4"<2-15/16" (69<74mm)	1-3/16" (30mm)	1
2-15/16"<3-5/16" (75<84mm)	1-9/16" (40mm)	1
3-3/8"<3-11/16" (85<94mm)	2" (50mm)	1
3-3/4"<3-7/8" (95<99mm)	2-3/16" (55mm)	1
3-15/16"<4-1/8" (100<105mm)	1-3/16" (30mm)	2
4-3/16"<4-1/2" (106<115mm)	1-9/16" (40mm)	2
4-9/16"<4-3/4" (116<120mm)	2" (50mm)	2

- ⑤ SP225280 Interior Plate
- ⑥ SP01489-30/40/50/55 M5 DIN 965
- ⑦ * SEE HAGER® 4500 PANIC BAR INSTALLATION INSTRUCTIONS
- MAX. TORQUE: 1,4 N.m/13 lb.in
- E * MONTAJE BARRA ANTIPANICO HAGER® 4500 SEGUN INSTRUCCIONES DEL FABRICANTE

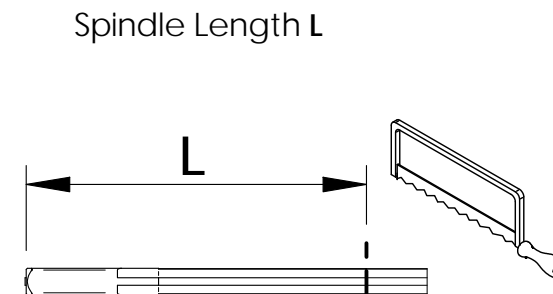
- Ⓔ DOOR PREPARATION: 2 STEPS
- ① -FOLLOW HAGER® 4500 DOOR PREPARATION INSTRUCTIONS
 - ② -FOLLOW PRESENT SALTO DOOR PREPARATION SHEET INSTRUCTIONS FOR SALTO/HAGER® 4500 ADAPTER KIT

- Ⓔ MECANIZADO DE PUERTA: 2 PASOS
- ① -SIGA LAS INSTRUCCIONES DE PREPARACION DE PUERTA HAGER® 4500
 - ② -SIGA LAS PRESENTES INSTRUCCIONES DE PREPARACION DE PUERTA PARA EL KIT DE ADAPTACION SALTO/HAGER® 4500



Ⓔ Cutting the Spindle

- Ⓔ Corte del Cuadradillo



$$L = P + 5/8"$$

$$L = P + 16\text{mm}$$

Ⓔ P= Door Thickness

Ⓔ P= Espesor de Puerta

Ⓔ * SEE HAGER® 4500 PANIC BAR INSTALLATION INSTRUCTIONS

Ⓔ * MONTAJE BARRA ANTIPANICO HAGER® 4500 SEGUN INSTRUCCIONES DEL FABRICANTE