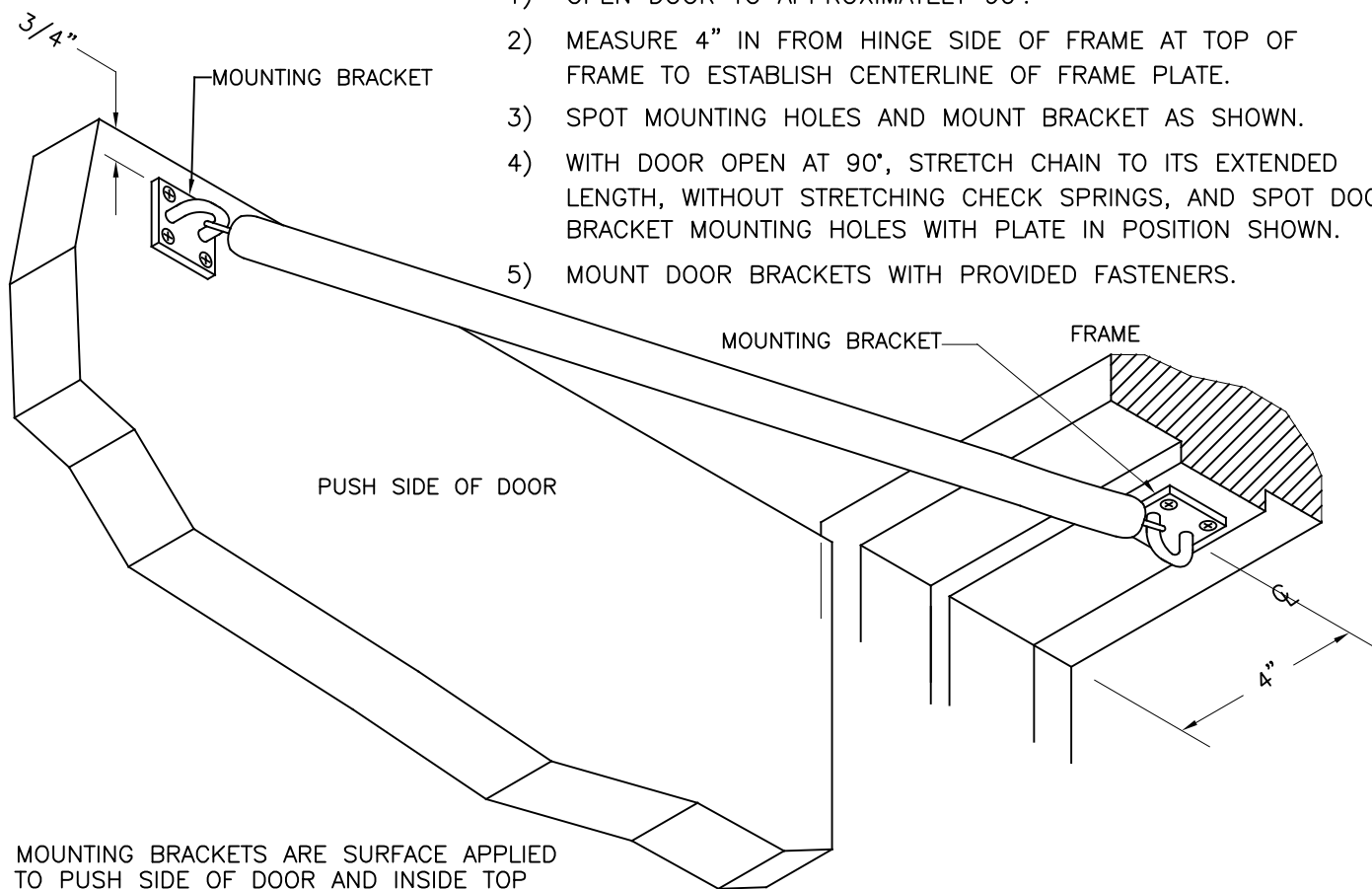
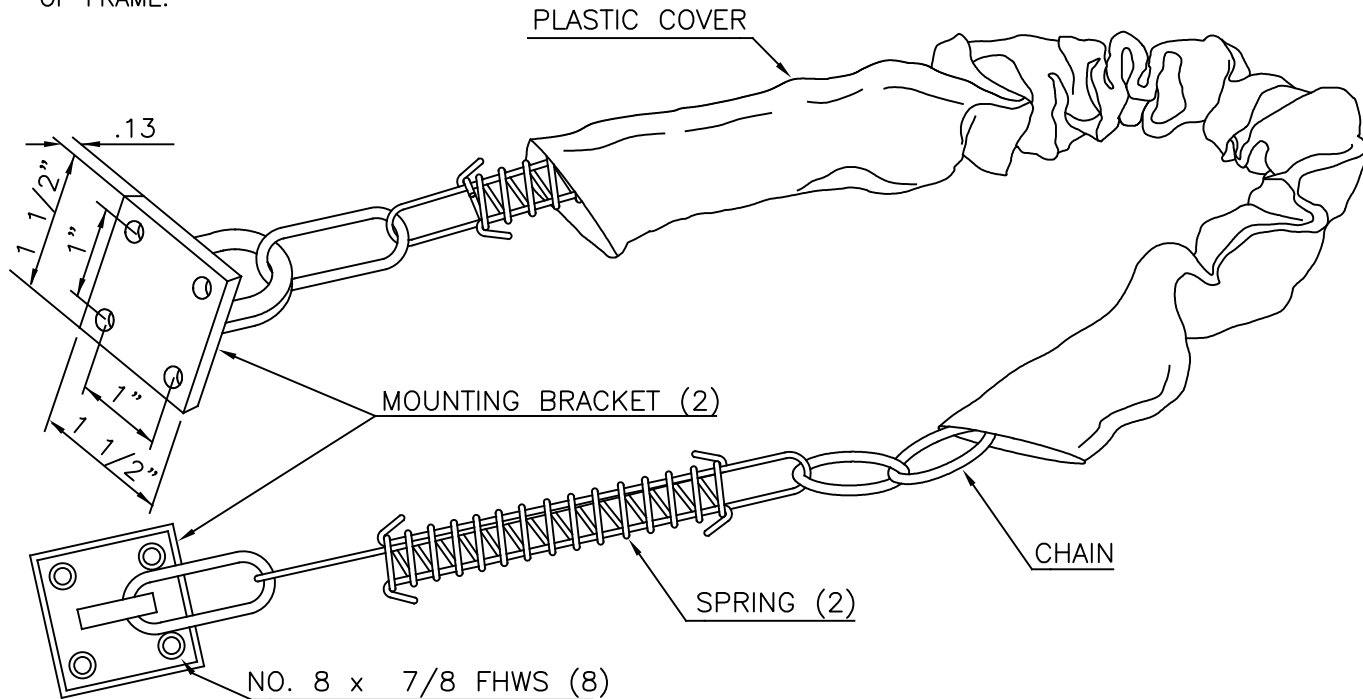


INSTALLATION INSTRUCTIONS:

- 1) OPEN DOOR TO APPROXIMATELY 90°.
- 2) MEASURE 4" IN FROM HINGE SIDE OF FRAME AT TOP OF FRAME TO ESTABLISH CENTERLINE OF FRAME PLATE.
- 3) SPOT MOUNTING HOLES AND MOUNT BRACKET AS SHOWN.
- 4) WITH DOOR OPEN AT 90°, STRETCH CHAIN TO ITS EXTENDED LENGTH, WITHOUT STRETCHING CHECK SPRINGS, AND SPOT DOOR BRACKET MOUNTING HOLES WITH PLATE IN POSITION SHOWN.
- 5) MOUNT DOOR BRACKETS WITH PROVIDED FASTENERS.



NOTE: MOUNTING BRACKETS ARE SURFACE APPLIED TO PUSH SIDE OF DOOR AND INSIDE TOP OF FRAME.



OVERALL LENGTH 25-1/2 OR 30 INCHES

PACKAGING NOTE:  
FOLD SHEET IN QUARTERS  
WITH DWG # VISIBLE.

**H**  
HAGER COMPANIES  
139 Victor Street  
St. Louis, MO 63104  
1-800-325-9995

HAGER RESERVES THE RIGHT TO MAKE PRODUCT CHANGES AND IS NOT RESPONSIBLE FOR OBSOLETE TEMPLATE ERRORS. CALL 1-800-325-9995 FOR CURRENT INFORMATION

DESCRIPTION: INSTALLATION INSTRUCTIONS:  
300D- CHAIN DOOR CHECK

NO.	REVISION	BY	DATE
4	ECO CT19002	SLJ	10.17.19

PART NO. 737-0080