

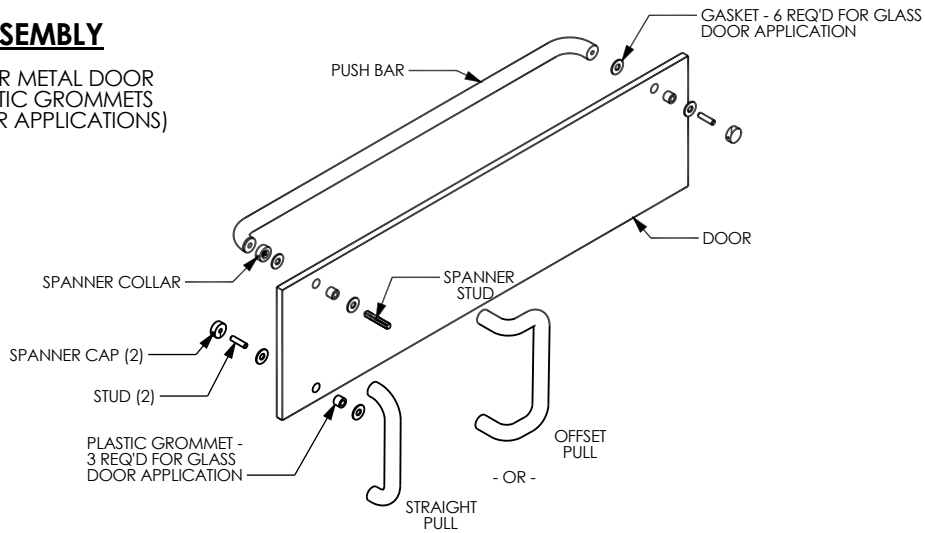
# INSTALLATION INSTRUCTIONS

## PUSH/PULL SETS 150 THRU 167

### "B", "D" AND "V" TYPES

#### **TYPE 'B' ASSEMBLY**

GLASS, WOOD OR METAL DOOR  
(GASKETS & PLASTIC GROMMETS  
FOR GLASS DOOR APPLICATIONS)

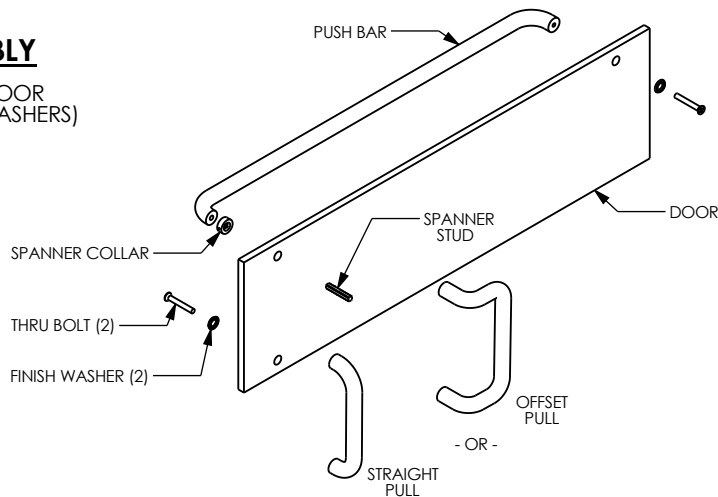


**NOTE: DO NOT FULLY TIGHTEN HARDWARE UNTIL SET IS COMPLETELY ASSEMBLED ON THE DOOR.**

- 1) SCREW FINER THREADED END OF SPANNER STUD THROUGH GASKET AND INTO HOLE OF TOP PULL LEG 2-4 TURNS.
- 2) POSITION THE PULL SO THAT THE INSTALLED STUD GOES THROUGH THE 7/16" HOLE WITH PLASTIC GROMMET INSTALLED. THIS HOLE WAS PREVIOUSLY DRILLED TO SPECIFIED CENTERS (CTC) IN DOOR FACE OR STILE.
- 3) THREAD SPANNER COLLAR WITH GASKET ONTO PROTRUDING SPANNER STUD.
- 4) INSERT STUD WITH SPANNER CAP AND GASKET THROUGH DOOR, WITH PLASTIC GROMMET INSERTED, THEN THROUGH GASKET AND INTO THREADED HOLE IN BOTTOM PULL LEG.
- 5) FASTEN DOOR HINGE END OF PUSH BAR TO DOOR BY INSERTING STUD WITH SPANNER CAP THROUGH GASKET AND DOOR, WITH PLASTIC GROMMET INSERTED, THEN THROUGH GASKET AND THREADED HOLE IN PUSH BAR.
- 6) FASTEN OTHER END OF PUSH BAR ONTO SPANNER STUD BY USING THE SPANNER WRENCH TO TURN THE SPANNER COLLAR IN A CLOCKWISE DIRECTION.
- 7) TIGHTEN ALL HARDWARE SO PUSH / PULL SET IS SECURELY FASTENED TO DOOR.

#### **TYPE 'D' ASSEMBLY**

WOOD OR METAL DOOR  
(THRU BOLTS & FINISH WASHERS)



**NOTE: DO NOT FULLY TIGHTEN HARDWARE UNTIL SET IS COMPLETELY ASSEMBLED ON THE DOOR.**

- 1) SCREW FINER THREADED END OF SPANNER STUD INTO HOLE OF TOP PULL LEG 2-4 TURNS.
- 2) POSITION THE PULL SO THAT THE INSTALLED STUD GOES THROUGH THE 7/16" HOLE PREVIOUSLY DRILLED TO SPECIFIED CENTERS (CTC) IN DOOR FACE OR STILE.
- 3) THREAD SPANNER COLLAR ONTO PROTRUDING SPANNER STUD.
- 4) INSERT THRU BOLT WITH FINISH WASHER THROUGH DOOR AND INTO THREADED HOLE IN BOTTOM PULL LEG.
- 5) FASTEN DOOR HINGE END OF PUSH BAR TO DOOR BY INSERTING THRU BOLT WITH FINISH WASHER THROUGH DOOR AND INTO THREADED HOLE IN PUSH BAR.
- 6) THREAD OTHER END OF PUSH BAR ONTO SPANNER STUD BY USING THE SPANNER WRENCH TO TURN THE SPANNER COLLAR IN A CLOCKWISE DIRECTION.
- 7) TIGHTEN ALL HARDWARE SO PUSH / PULL SET IS SECURELY FASTENED TO DOOR.