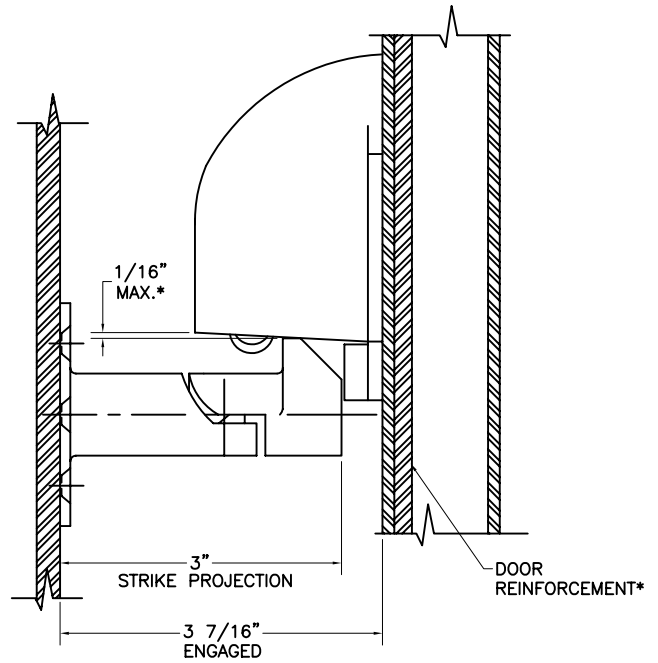
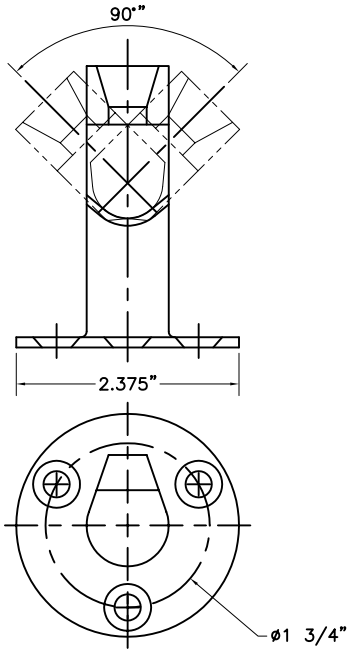
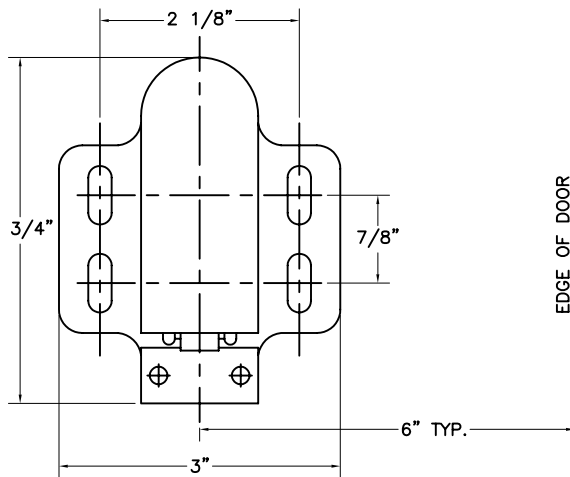


STRIKE



BODY



***NOTES**

1. METAL DOORS SHOULD BE PROPERLY REINFORCED WITH 3/16" MIN. THICKNESS PLATE.
2. THE ALIGNMENT GAP SHOULD NOT EXCEED 1/16", TO ENSURE A SECURE ENGAGEMENT.

INSTALLATION INSTRUCTIONS

1. OPEN DOOR TO DESIRED POSITION.
2. POSITION THE BODY ON DOOR, MARKING THE MOUNTING HOLE LOCATIONS.
3. PREPARE MOUNTING HOLES AND INSTALL BODY.
4. PLACE STRIKE ON WALL, WHILE ENGAGED AS ILLUSTRATED, MAKING SURE THE ROLLER ENGAGES THE STRIKE SQUARELY.
5. MARK MOUNTING HOLE LOCATIONS.
6. PREPARE MOUNTING HOLES AND INSTALL STRIKE.

MOUNTING HARDWARE

POLY-BAG WITH:

BODY:

- 4 EA.- #12-24X1/2" LONG TRTM (COMBINATION SLOTTED & PHILIPS HEAD)
- 4 EA.- #12X1" LONG OPHW

STRIKE:

- 3 EA.- LEAD EXPANSION SHIELD ANCHORS
- 3 EA.- 1/4-20X3/4" LONG FPHM
- 3 EA.- PLASTIC EXPANSION SHIELD ANCHORS
- 3 EA.- #14X1 1/4" LONG FPHW TO INSERT INTO PLASTIC ANCHORS

HAGER COMPANIES
 139 Victor St.
 St. Louis, MO 63104
 1-800-325-9995

HAGER RESERVES THE RIGHT TO MAKE DESIGN CHANGES WITHOUT NOTICE.

DESCRIPTION:

INSTALLATION INSTRUCTIONS
 327W AUTO WALL STOP & HOLDER

NO.	REVISION	BY	DATE
1	TA04078	DMH	07-05-05

PART NO.

327W-INSTRUCTIONS