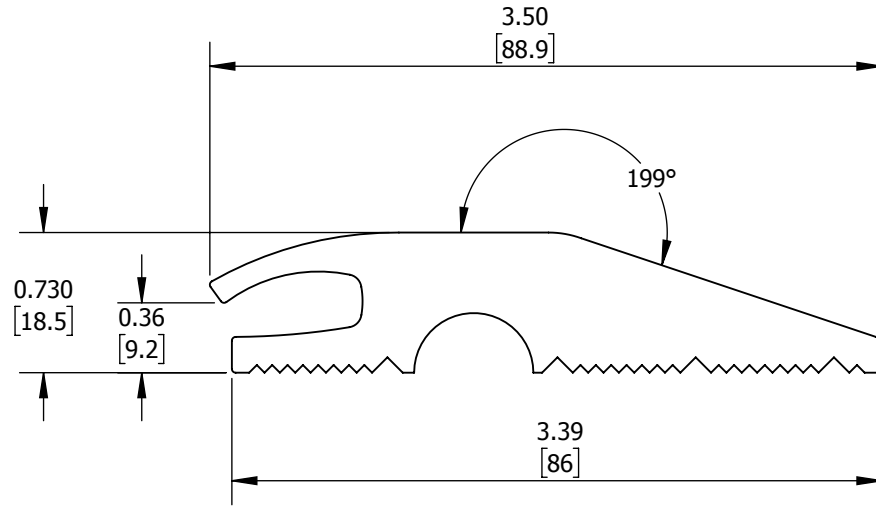



REV.	DESCRIPTION	ECO NO.	DATE
-	INITIAL CHECK IN		7/5/2017
01	UPDATED TOLERANCES FOR PPAP	NPD16011	8/11/2017



NOTES  
 UL10C & UL10B Rated  
 Material - Vinyl

 <b>PROPRIETARY &amp; CONFIDENTIAL</b> THE INFORMATION CONTAINED IN THIS DRAWING IS THE SOLE PROPERTY OF HAGER COMPANIES. ANY REPRODUCTION IN PART OR AS A WHOLE WITHOUT THE WRITTEN PERMISSION OF HAGER COMPANIES IS PROHIBITED.	HAGER RESERVES THE RIGHT TO MAKE DESIGN CHANGES WITHOUT NOTICE. CALL HAGER ENGINEERING AT 1-800-325-9995 FOR THE LATEST REVISION DATE OF TEMPLATE.	DRAWN	PK	7/5/2017	<b>903S</b> <b>Carpet Transition Vinyl Threshold</b>	
		MATERIAL	ENG. APPR.	-		-
		FPVC	Q.A.			
		FINISH	TOLERANCES: FRACTIONAL: ±0.015" ANGULAR: MACH: ± 2° BEND: ±2° TWO PLACE DECIMAL: ±0.065" THREE PLACE DECIMAL: ±0.030"			SIZE <b>A</b> DWG. NO. <b>S-TW00281</b>
DO NOT SCALE DRAWING				SCALE: 1:1	WEIGHT: 0.34	SHEET 1 OF 1

01