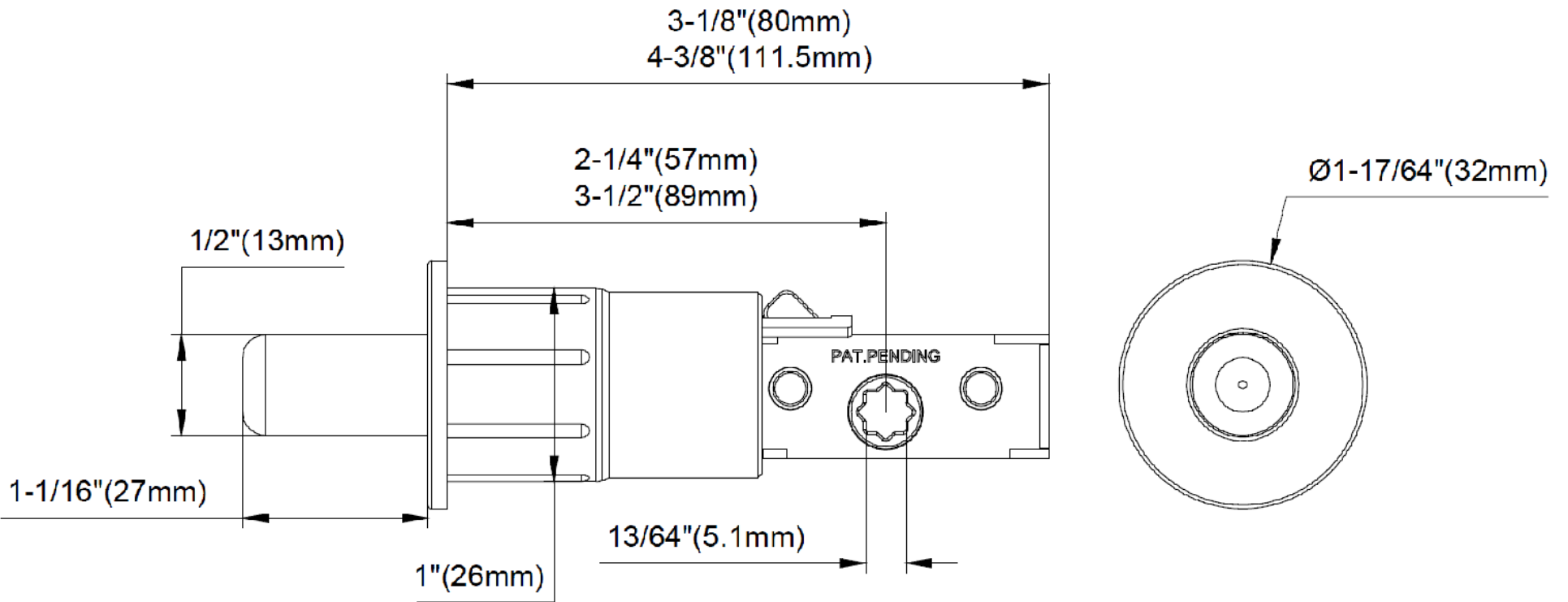
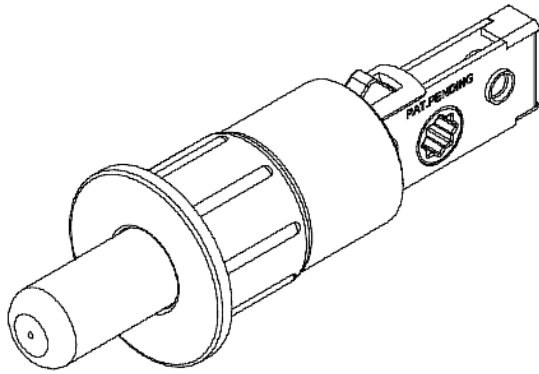

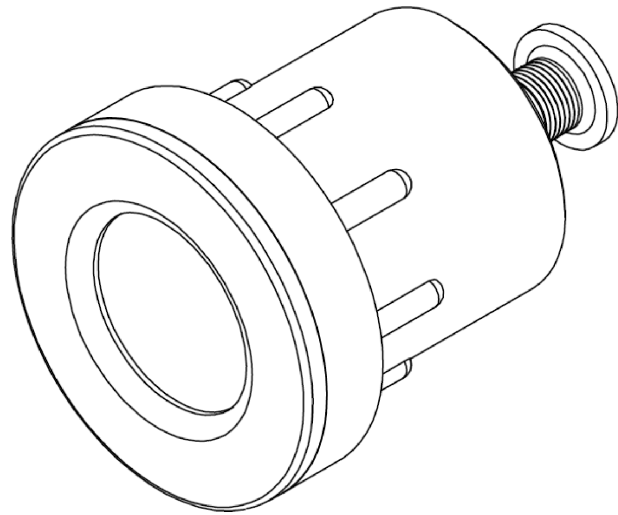


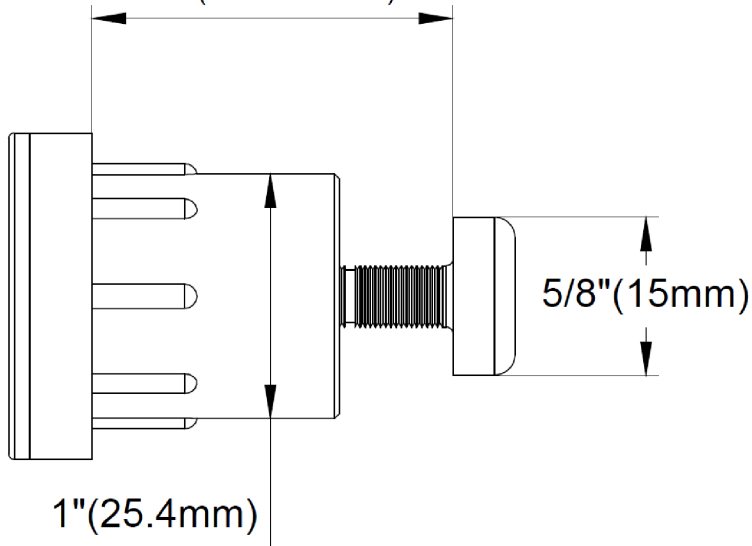
REV.	DESCRIPTION	ECO NO.	DATE
-	INITIAL CHECK IN		6/28/2018



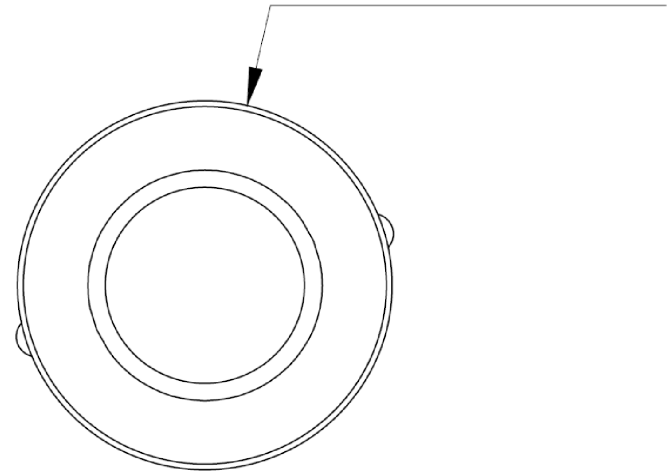
	PROPRIETARY & CONFIDENTIAL THE INFORMATION CONTAINED IN THIS DRAWING IS THE SOLE PROPERTY OF HAGER COMPANIES. ANY REPRODUCTION IN PART OR AS A WHOLE WITHOUT THE WRITTEN PERMISSION OF HAGER COMPANIES IS PROHIBITED.	HAGER RESERVES THE RIGHT TO MAKE DESIGN CHANGES WITHOUT NOTICE. CALL HAGER ENGINEERING AT 1-800-325-9995 FOR THE LATEST REVISION DATE OF TEMPLATE.	DRAWN	PK	6/28/18	9548 LOCK
			MATERIAL	ENG. APPR.		
			FINISH	Q.A.		
			DO NOT SCALE DRAWING			TOLERANCES: FRACTIONAL: ±0.015" ANGULAR: MACH: ±1° BEND: ±1° TWO PLACE DECIMAL: ±0.01" THREE PLACE DECIMAL: ±0.004"
SCALE: 1:1		WEIGHT:		SHEET 1 OF 2		



1-3/8"~1-3/4"
(35mm~45mm)



Ø1-17/64"(32mm)



PROPRIETARY & CONFIDENTIAL
THE INFORMATION CONTAINED IN THIS DRAWING IS THE SOLE PROPERTY OF HAGER COMPANIES. ANY REPRODUCTION IN PART OR AS A WHOLE WITHOUT THE WRITTEN PERMISSION OF HAGER COMPANIES IS PROHIBITED.

HAGER RESERVES THE RIGHT TO MAKE DESIGN CHANGES WITHOUT NOTICE. CALL HAGER ENGINEERING AT 1-800-325-9995 FOR THE LATEST REVISION DATE OF TEMPLATE.

MATERIAL	DRAWN	PK	6/28/18	9548 STRIKE	
	ENG. APPR.				
	Q.A.				
FINISH	TOLERANCES:			SIZE	DWG. NO.
	FRACTIONAL: ±0.015" ANGULAR: MACH: ±1° BEND: ±1° TWO PLACE DECIMAL: ±0.01" THREE PLACE DECIMAL: ±0.004"			A	S-SD00389
DO NOT SCALE DRAWING				SCALE:1:1	WEIGHT:
				REV.	
				SHEET 2 OF 2	