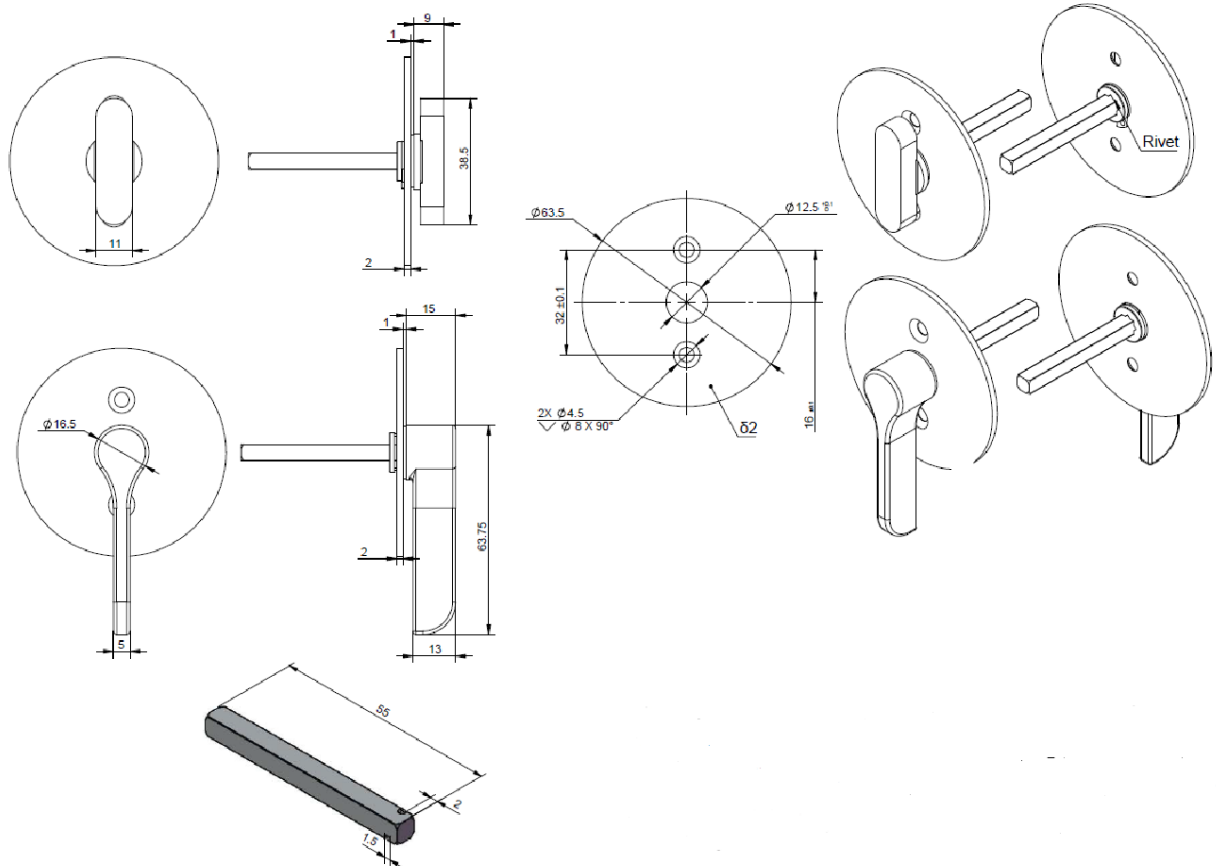



REV.	DESCRIPTION	ECO NO.	DATE
-	initial check in		6/28/2018



	<b>PROPRIETARY &amp; CONFIDENTIAL</b> THE INFORMATION CONTAINED IN THIS DRAWING IS THE SOLE PROPERTY OF HAGER COMPANIES. ANY REPRODUCTION IN PART OR AS A WHOLE WITHOUT THE WRITTEN PERMISSION OF HAGER COMPANIES IS PROHIBITED.	HAGER RESERVES THE RIGHT TO MAKE DESIGN CHANGES WITHOUT NOTICE. CALL HAGER ENGINEERING AT 1-800-325-9995 FOR THE LATEST REVISION DATE OF TEMPLATE.	DRAWN	PK	6/28/2018	<b>9458</b> <b>THUMB TURN</b>		
			MATERIAL	ENG. APPR.				
			FINISH	Q.A.			TOLERANCES: FRACTIONAL: ±0.015" ANGULAR: MACH: ±1° BEND: ±1° TWO PLACE DECIMAL: ±0.01" THREE PLACE DECIMAL: ±0.004"	
			DO NOT SCALE DRAWING			SIZE	DWG. NO.	REV.
			SCALE:1:1	WEIGHT:		SHEET 1 OF 1		