

1

2

3

4

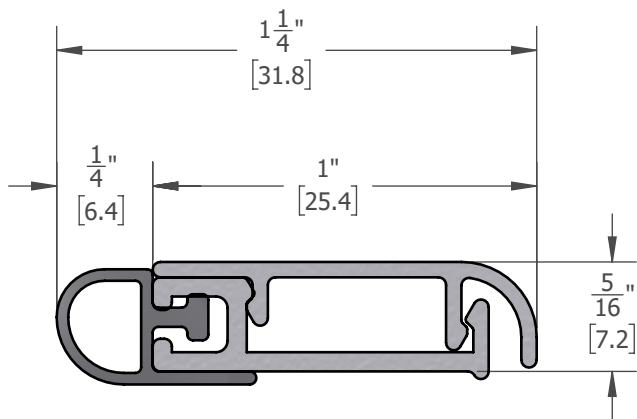
REV	DRAWING UPDATE	ECO	CHANGE DESCRIPTION
-	SEPT 16 2021	-	INITIAL CHECK IN

A

B

C

D



#6 x 5/8" PAN HEAD SHEET METAL SCREWS (FACTORY PROVIDED)



PROPRIETARY & CONFIDENTIAL
 THE INFORMATION CONTAINED IN THIS DRAWING IS THE SOLE PROPERTY OF HAGER COMPANIES. ANY REPRODUCTION IN PART OR AS A WHOLE WITHOUT THE WRITTEN PERMISSION OF HAGER COMPANIES IS PROHIBITED.

HAGER RESERVES THE RIGHT TO MAKE DESIGN CHANGES WITHOUT NOTICE. CALL HAGER ENGINEERING AT 1-800-325-9995 FOR THE LATEST REVISION DATE OF TEMPLATE.

TOLERANCES UNLESS OTHERWISE SPECIFIED:
 DECIMALS: .X = ±0.1"
 .XX = ±0.01"
 .XXX = ±0.005"
 FRACTIONS: ±1/32"
 ANGLES: ±1°
 UNITS: INCH = AUTHORITY
 [] = MILLIMETER REFERENCE
 DO NOT SCALE

DRAWN BY: DRS
 ENG. APPR.:
 THIRD ANGLE PROJECTION
 MATERIAL: 6061
 FINISH: CLR
 WEIGHT:

SERIES NO. 885S PART NO. 885S
 PART DESCRIPTION: JAMB WEATHERSTRIPPING
 DRAWING NO. S-TW00271 REVISION
 SHEET SIZE: A SCALE: 2:1 SHEET 1 OF 1