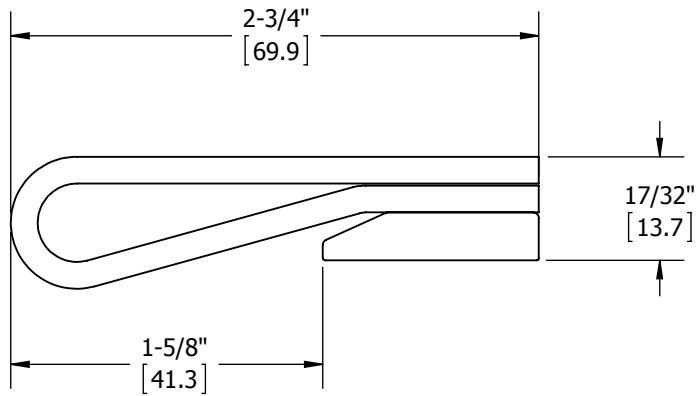



REV.	DESCRIPTION	ECO NO.	DATE
-		-	4/19/2012



#6 x 5/8" PAN HEAD SHEET METAL SCREWS (FACTORY PROVIDED)

 <p>PROPRIETARY & CONFIDENTIAL THE INFORMATION CONTAINED IN THIS DRAWING IS THE SOLE PROPERTY OF HAGER COMPANIES. ANY REPRODUCTION IN PART OR AS A WHOLE WITHOUT THE WRITTEN PERMISSION OF HAGER COMPANIES IS PROHIBITED.</p>	<p>HAGER RESERVES THE RIGHT TO MAKE DESIGN CHANGES WITHOUT NOTICE. CALL HAGER ENGINEERING AT 1-800-325-9995 FOR THE LATEST REVISION DATE OF TEMPLATE.</p>	<p>DRAWN</p>	<p>RCT</p>	<p>4/19/2012</p>	<p>787S DOOR BOTTOM</p>				
		<p>ENG. APPR.</p>	<p>-</p>	<p>-</p>					
		<p>MATERIAL</p>	<p>Material <not specified></p>			<p>Q.A.</p>			
		<p>FINISH</p>	<p>-</p>			<p>TOLERANCES: FRACTIONAL: 0.015" ANGULAR: MACH: 1 BEND: 1 TWO PLACE DECIMAL: 0.01" THREE PLACE DECIMAL: 0.004"</p>		<p>SIZE</p>	<p>DWG. NO.</p>
<p>DO NOT SCALE DRAWING</p>		<p>SCALE: 1:2</p>		<p>WEIGHT: 0.15</p>		<p>A S-TW00181</p>		<p>-</p>	
								<p>SHEET 1 OF 1</p>	