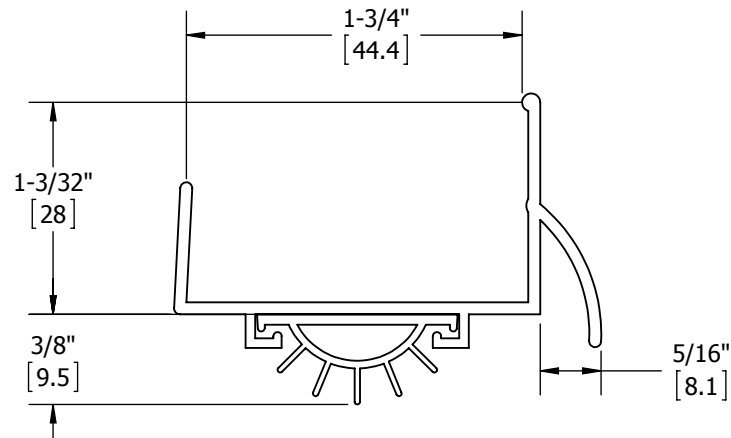



REV.	DESCRIPTION	ECO NO.	DATE
-		-	4/19/2012



 <p>PROPRIETARY & CONFIDENTIAL</p> <p>THE INFORMATION CONTAINED IN THIS DRAWING IS THE SOLE PROPERTY OF HAGER COMPANIES. ANY REPRODUCTION IN PART OR AS A WHOLE WITHOUT THE WRITTEN PERMISSION OF HAGER COMPANIES IS PROHIBITED.</p>	<p>HAGER RESERVES THE RIGHT TO MAKE DESIGN CHANGES WITHOUT NOTICE. CALL HAGER ENGINEERING AT 1-800-325-9995 FOR THE LATEST REVISION DATE OF TEMPLATE.</p>	DRAWN	RCT	4/19/2012	<p align="center">783S DOOR BOTTOM</p>			
		ENG. APPR.	-	-				
		MATERIAL	Material <not specified>			Q.A.		
		FINISH	-			<p>TOLERANCES:</p> <p>FRACTIONAL: 0.015"</p> <p>ANGULAR: MACH: 1 BEND: 1</p> <p>TWO PLACE DECIMAL: 0.01"</p> <p>THREE PLACE DECIMAL: 0.004"</p>		
DO NOT SCALE DRAWING		SIZE	DWG. NO.		REV.			
		A	S-TW00177		-	SCALE: 1:2	WEIGHT: 0.06	SHEET 1 OF 1