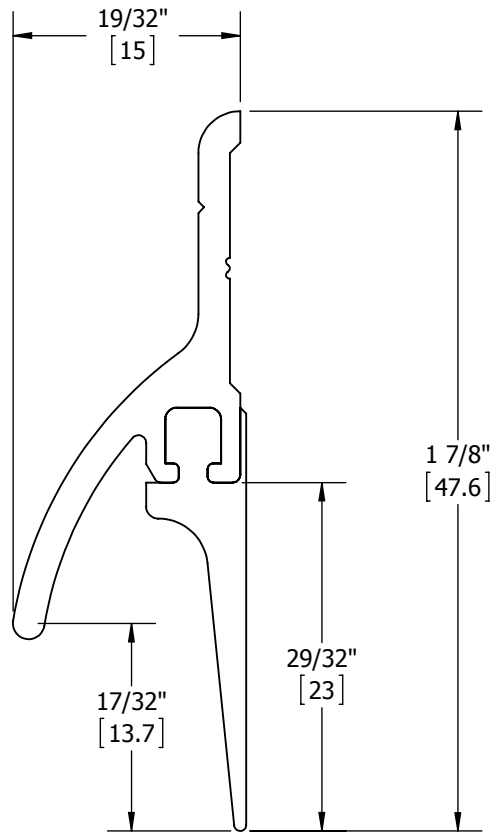
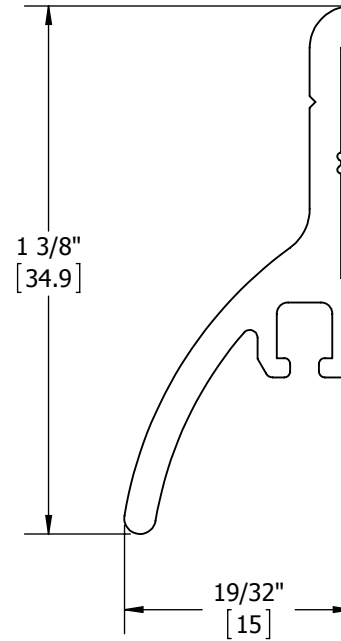


REV.	DESCRIPTION	ECO NO.	DATE
------	-------------	---------	------




SHOWN WITH GASKETING



SHOWN WITHOUT GASKETING

#6 x 5/8" PAN HEAD SHEET METAL SCREWS (FACTORY PROVIDED)

 <p>PROPRIETARY & CONFIDENTIAL THE INFORMATION CONTAINED IN THIS DRAWING IS THE SOLE PROPERTY OF HAGER COMPANIES. ANY REPRODUCTION IN PART OR AS A WHOLE WITHOUT THE WRITTEN PERMISSION OF HAGER COMPANIES IS PROHIBITED.</p>	<p>HAGER RESERVES THE RIGHT TO MAKE DESIGN CHANGES WITHOUT NOTICE. CALL HAGER ENGINEERING AT 1-800-325-9995 FOR THE LATEST REVISION DATE OF TEMPLATE.</p>	<p>DRAWN</p>	<p>RCT</p>	<p>4/13/12</p>	<p>770S WEATHERSTRIPPING</p>			
		<p>ENG. APPR.</p>	<p>-</p>	<p>-</p>				
		<p>MATERIAL</p>	<p>Material <not specified></p>			<p>Q.A.</p>	<p>SIZE A DWG. NO. S-TW00216 REV.</p>	
		<p>FINISH</p>	<p>-</p>			<p>TOLERANCES: FRACTIONAL: ±0.015" ANGULAR: MACH: ± 1° BEND: ±1° TWO PLACE DECIMAL: ±0.01" THREE PLACE DECIMAL: ±0.004"</p>		
<p>DO NOT SCALE DRAWING</p>		<p>SCALE: 1:1</p>	<p>WEIGHT: 0.02</p>	<p>SHEET 1 OF 1</p>				