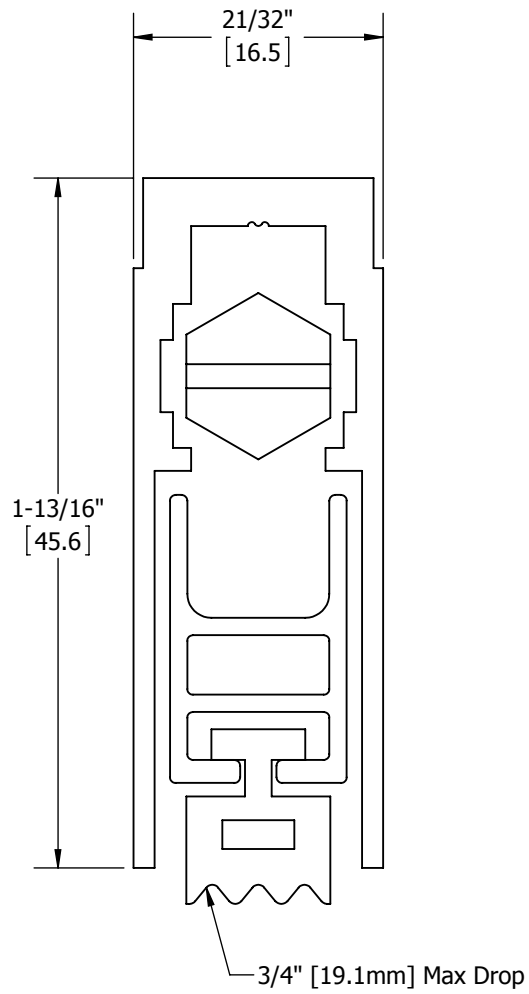



REV.	DESCRIPTION	ECO NO.	DATE
-			4/9/2012



#8 x 1-1/4" PAN HEAD SCREWS (FACTORY PROVIDED)

 <p><b>PROPRIETARY &amp; CONFIDENTIAL</b> THE INFORMATION CONTAINED IN THIS DRAWING IS THE SOLE PROPERTY OF HAGER COMPANIES. ANY REPRODUCTION IN PART OR AS A WHOLE WITHOUT THE WRITTEN PERMISSION OF HAGER COMPANIES IS PROHIBITED.</p>	<p>HAGER RESERVES THE RIGHT TO MAKE DESIGN CHANGES WITHOUT NOTICE. CALL HAGER ENGINEERING AT 1-800-325-9995 FOR THE LATEST REVISION DATE OF TEMPLATE.</p>	<p>DRAWN</p>	<p>RCT</p>	<p>4/9/2012</p>	<p align="center"><b>740S</b> <b>AUTOMATIC DOOR BOTTOM</b></p>			
		<p>ENG. APPR.</p>	<p>-</p>	<p>-</p>				
		<p>MATERIAL</p>	<p>Material &lt;not specified&gt;</p>			<p>Q.A.</p>		
		<p>FINISH</p>	<p>-</p>			<p>TOLERANCES: FRACTIONAL: ±0.015" ANGULAR: MACH: ± 1° BEND: ±1° TWO PLACE DECIMAL: ±0.01" THREE PLACE DECIMAL: ±0.004"</p>	<p>SIZE</p>	<p>DWG. NO.</p>
<p>DO NOT SCALE DRAWING</p>					<p><b>A</b></p>	<p><b>S-TW00147</b></p>	<p>-</p>	
					<p>SCALE: 1:2</p>	<p>WEIGHT: 0.13</p>	<p>SHEET 1 OF 3</p>	