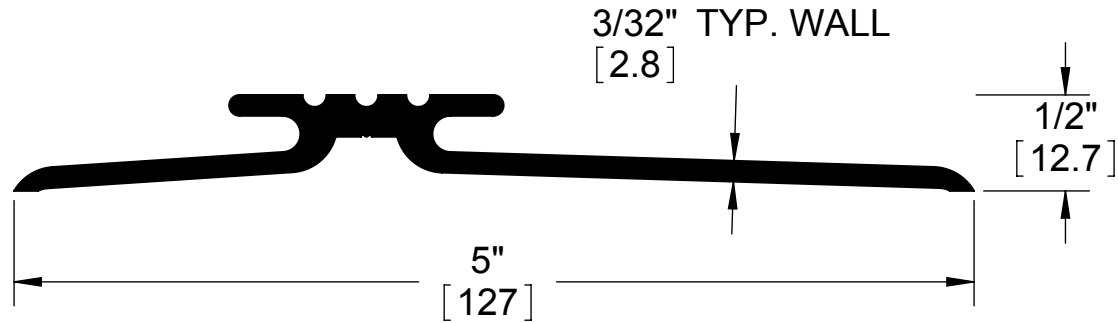



REV.	DESCRIPTION	ECO NO.	DATE
-	INITIAL CHECK IN	-	10/16/2014



#10 x 1-1/2" Flat Phillips Head Wood Screws (Factory Provided)

 <p>PROPRIETARY & CONFIDENTIAL THE INFORMATION CONTAINED IN THIS DRAWING IS THE SOLE PROPERTY OF HAGER COMPANIES. ANY REPRODUCTION IN PART OR AS A WHOLE WITHOUT THE WRITTEN PERMISSION OF HAGER COMPANIES IS PROHIBITED.</p>	<p>HAGER RESERVES THE RIGHT TO MAKE DESIGN CHANGES WITHOUT NOTICE. CALL HAGER ENGINEERING AT 1-800-325-9995 FOR THE LATEST REVISION DATE OF TEMPLATE.</p>	DRAWN	MRJ	8/18/2011	<p>604S INTERLOCKING THRESHOLD</p>			
		MATERIAL	6063-T6					ENG. APPR.
		FINISH	-		Q.A.			TOLERANCES: FRACTIONAL: ±0.015" ANGULAR: MACH: ±1° BEND: ±1° TWO PLACE DECIMAL: ±0.01" THREE PLACE DECIMAL: ±0.004"
		DO NOT SCALE DRAWING			SIZE	DWG. NO.	REV.	
			A	S-TW00068	-			
			SCALE: 1:1	WEIGHT: 0.28	SHEET 1 OF 1			