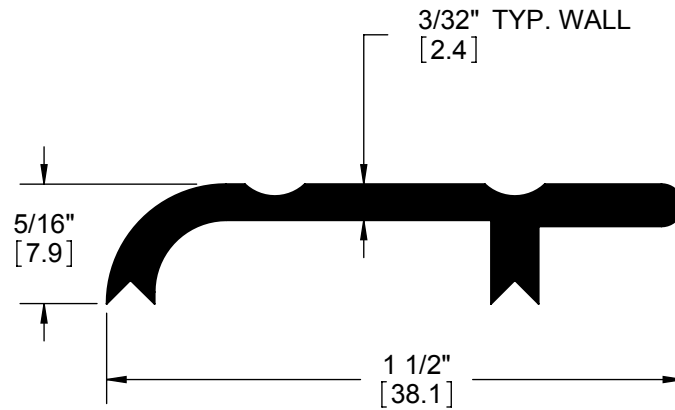



REV.	DESCRIPTION	ECO NO.	DATE
-	INITIAL CHECK IN	-	10/16/2014



#10 x 1-1/2" Flat Phillips Head Wood Screws (Factory Provided)

 <p>PROPRIETARY & CONFIDENTIAL THE INFORMATION CONTAINED IN THIS DRAWING IS THE SOLE PROPERTY OF HAGER COMPANIES. ANY REPRODUCTION IN PART OR AS A WHOLE WITHOUT THE WRITTEN PERMISSION OF HAGER COMPANIES IS PROHIBITED.</p>	<p>HAGER RESERVES THE RIGHT TO MAKE DESIGN CHANGES WITHOUT NOTICE. CALL HAGER ENGINEERING AT 1-800-325-9995 FOR THE LATEST REVISION DATE OF TEMPLATE.</p>	DRAWN	MRJ	8/18/2011	<p>600S INTERLOCKING THRESHOLD</p>		
		ENG. APPR.	-	-			
		MATERIAL	6063-T6		Q.A.		
		FINISH	-		<p>TOLERANCES: FRACTIONAL: ±0.015" ANGULAR: MACH: ±1° BEND: ±1° TWO PLACE DECIMAL: ±0.01" THREE PLACE DECIMAL: ±0.004"</p>		SIZE
DO NOT SCALE DRAWING				<p>A S-TW00065</p>		-	
		SCALE:2:1		WEIGHT: 0.07		SHEET 1 OF 1	