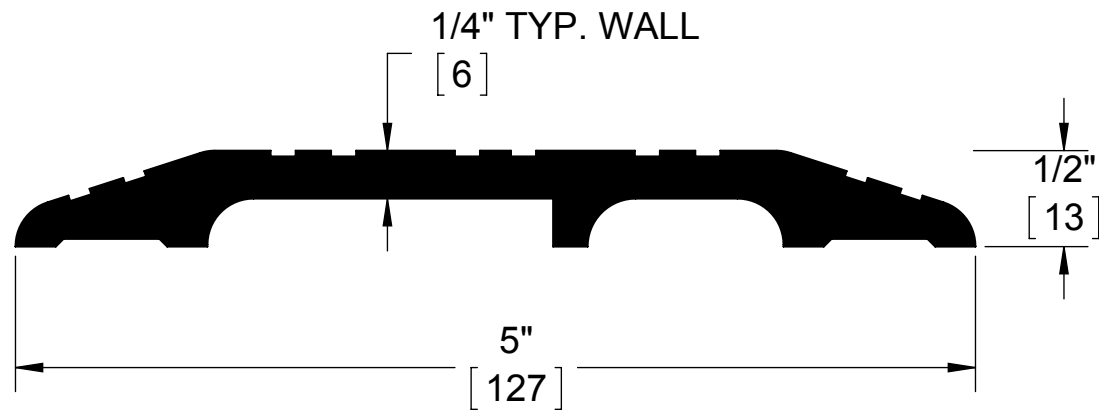



REV.	DESCRIPTION	ECO NO.	DATE
-	INITIAL CHECK IN		10/13/2014



#14 x 1-1/2" FLAT PHILLIPS HEAD WOOD SCREWS (FACTORY PROVIDED)

	<p>HAGER RESERVES THE RIGHT TO MAKE DESIGN CHANGES WITHOUT NOTICE. CALL HAGER ENGINEERING AT 1-800-325-9995 FOR THE LATEST REVISION DATE OF TEMPLATE.</p> <p>PRIMARY DIMENSIONS SHOWN IN INCHES, DIMENSIONS IN [ ] ARE MILLIMETERS.</p>	MATERIAL	6063-T6	FINISH	-	DO NOT SCALE DRAWING	<table border="1"> <tr> <td>DRAWN</td> <td>MRJ</td> <td>11/8/2011</td> </tr> <tr> <td>ENG. APPR.</td> <td>-</td> <td>-</td> </tr> <tr> <td>Q.A.</td> <td></td> <td></td> </tr> </table>	DRAWN	MRJ	11/8/2011	ENG. APPR.	-	-	Q.A.			<p>427S SADDLE THRESHOLD</p>
		DRAWN	MRJ	11/8/2011													
		ENG. APPR.	-	-													
		Q.A.															
<p>TOLERANCES: FRACTIONAL: ±0.015" ANGULAR: MACH: ± 1° BEND: ±1° TWO PLACE DECIMAL: ±0.01" THREE PLACE DECIMAL: ±0.004"</p>			<table border="1"> <tr> <td>SIZE</td> <td>DWG. NO.</td> <td>REV.</td> </tr> <tr> <td><b>A</b></td> <td>S-TW00136</td> <td>-</td> </tr> </table>	SIZE	DWG. NO.	REV.	<b>A</b>	S-TW00136	-								
SIZE	DWG. NO.	REV.															
<b>A</b>	S-TW00136	-															
		SCALE: 1:1	WEIGHT: 0.55	SHEET 1 OF 1													