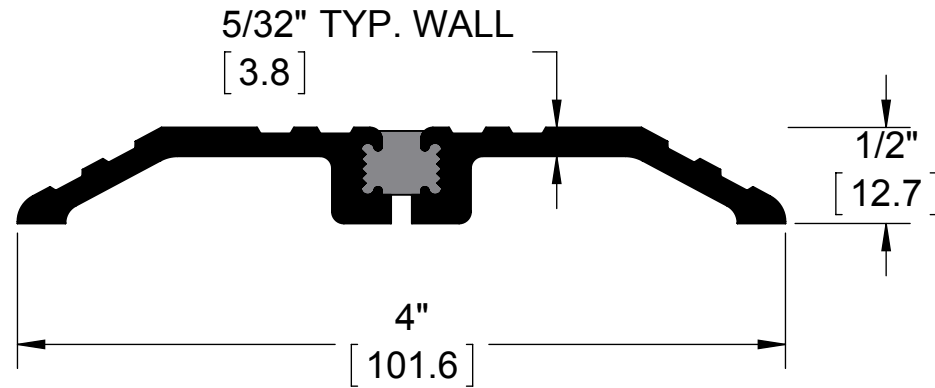



REV.	DESCRIPTION	ECO NO.	DATE
-	INITIAL CHECK IN	-	10/14/2014



#10 x 1-1/2" Flat Phillips Head Wood Screws (Factory Provided)

 <p>PROPRIETARY & CONFIDENTIAL THE INFORMATION CONTAINED IN THIS DRAWING IS THE SOLE PROPERTY OF HAGER COMPANIES. ANY REPRODUCTION IN PART OR AS A WHOLE WITHOUT THE WRITTEN PERMISSION OF HAGER COMPANIES IS PROHIBITED.</p>	<p>HAGER RESERVES THE RIGHT TO MAKE DESIGN CHANGES WITHOUT NOTICE. CALL HAGER ENGINEERING AT 1-800-325-9995 FOR THE LATEST REVISION DATE OF TEMPLATE.</p>	<p>DRAWN MRJ 8/19/2011</p>	<p>420S THERMAL SADDLE THRESHOLD</p>			
		<p>ENG. APPR. - -</p>				
		<p>MATERIAL Material <not specified></p>	<p>Q.A.</p>	<p>TOLERANCES: FRACTIONAL: ±0.015" ANGULAR: MACH: ± 1° BEND: ±1° TWO PLACE DECIMAL: ±0.01" THREE PLACE DECIMAL: ±0.004"</p>	<p>SIZE DWG. NO.</p>	<p>REV.</p>
		<p>FINISH -</p>	<p>DO NOT SCALE DRAWING</p>		<p>A S-TW00102</p>	<p>-</p>
		<p>SCALE: 1:1</p>	<p>WEIGHT: 0.32</p>	<p>SHEET 1 OF 1</p>		