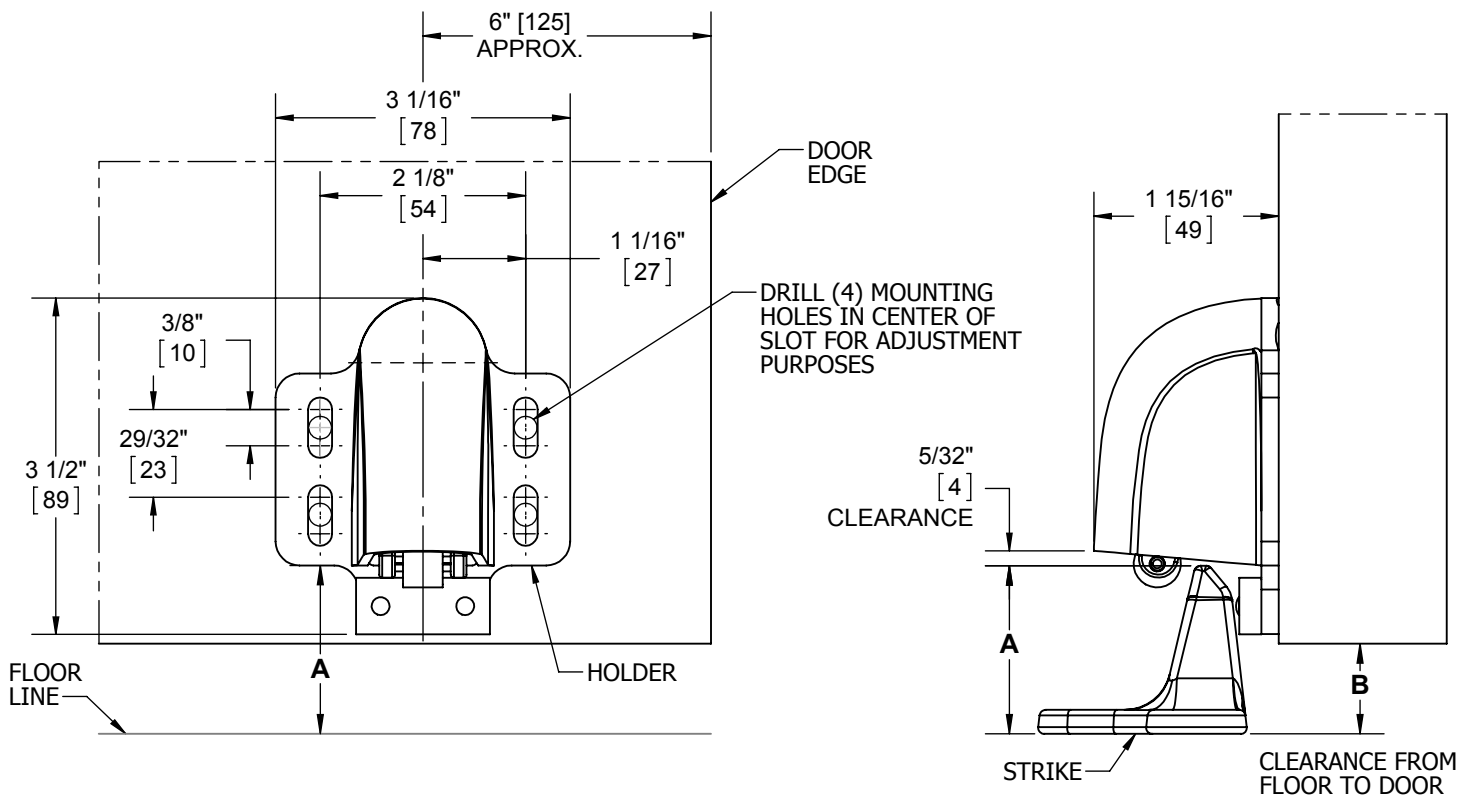


REV.	DESCRIPTION	ECO NO.	DATE
-	CREATED FOR CUSTOMER	-	10/21/2015



INSTRUCTIONS:

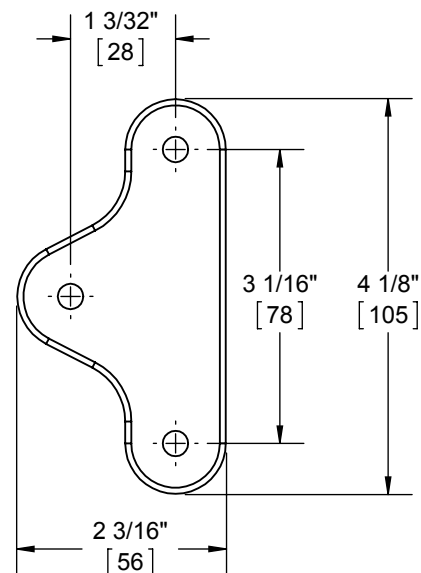
1. POSITION THE HOLDER ON THE DOOR AT THE LOCATION SHOWN ABOVE
2. MARK THE MOUNTING HOLE LOCATIONS IN THE CENTER OF THE FOUR (4) SLOTS
3. METAL DOORS: DRILL & TAP (4) FOR 1/4"-20 MACHINE SCREWS
WOOD DOORS: DRILL (4) 1/8" PILOT HOLES
4. OPEN THE DOOR TO THE DESIRED STOP ANGLE AND POSITION THE STRIKE ON THE FLOOR SO IT ENGAGES THE HOLDER PROPERLY
5. MARK THE MOUNTING HOLES OF THE STRIKE
6. DRILL HOLES AND INSTALL STRIKE ON THE FLOOR WITH THE SCREWS PROVIDED
7. TEST HOLD OPEN AND ADJUST THE HOLDER UP OR DOWN IF NECESSARY.

NOTE:

METAL DOORS SHOULD BE PROPERLY REINFORCED WITH 3/16" [5] MIN THICKNESS PLATE.

FASTENERS:

- (3) #14 x 1-1/2" FPHWS, (3) 1/4-20 x 3/4" FPHMS,
(3) 1/4-20 LEAD ANCHORS, (4) 12-24 x 1" TPHMS, AND
(4) #12 x 1" TPHWS



PART #	"A"	"B" FLOOR CLEARANCE
326F	1 1/4"	≤ 1/2"
327F	1 3/4"	9/16" TO 1-1/16"
328F	2 1/4"	1-1/8" TO 1-9/16"
329F	2 3/4"	1-5/8" TO 2-1/16"



HAGER RESERVES THE RIGHT TO MAKE DESIGN CHANGES WITHOUT NOTICE. CALL HAGER ENGINEERING AT 1-800-325-9995 FOR THE LATEST REVISION DATE OF TEMPLATE.

PRIMARY DIMENSIONS SHOWN IN INCHES, DIMENSIONS IN [] ARE MILLIMETERS.

MATERIAL	Material <not specified>
FINISH	-
DO NOT SCALE DRAWING	

DRAWN	KJW	10/14/2015
ENG. APPR.	-	-
TOLERANCES:		
FRACTIONAL: ±0.015"		
ANGULAR: MACH: ± 1° BEND: ±1°		
TWO PLACE DECIMAL: ±0.01"		
THREE PLACE DECIMAL: ±0.004"		

326F, 327F, 328F, 329F AUTOMATIC FLOOR STOP & STRIKE		
SIZE	DWG. NO.	REV.
A	T-TA01171	-
SCALE: 1:2	WEIGHT: 56.09	SHEET 1 OF 1