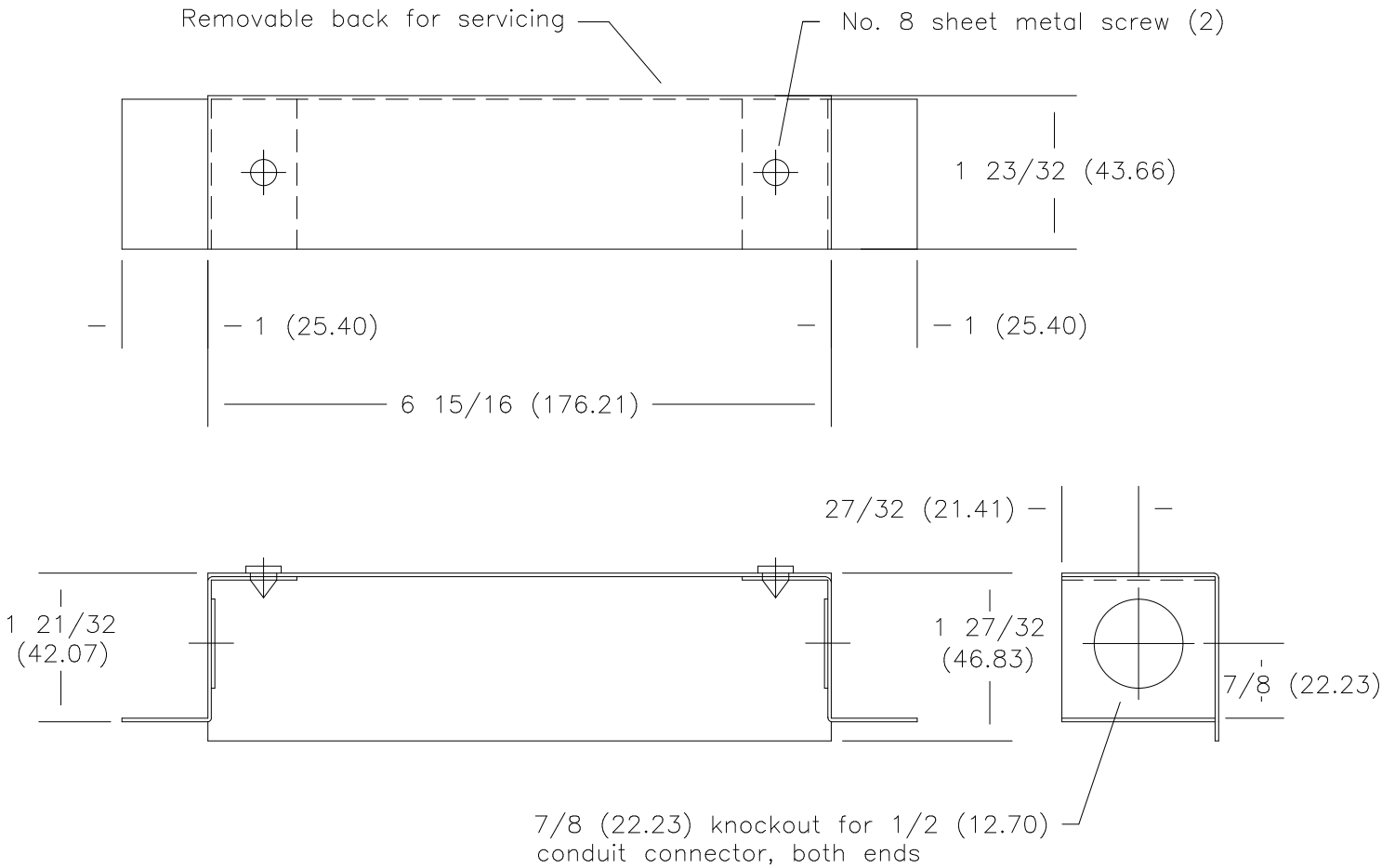


MORTAR BOX FOR ELECTRIC HINGES

Template No. T540
Rev. '96

FITS HINGE REINFORCEMENTS SIZES 4 1/2 (114.30) AND 5 (127.00)



—DO NOT SCALE—

| | |
|------------------|-------------|
| CATALOG NUMBER | |
| GALVANIZED STEEL | METAL GAUGE |
| 430 | .036 (.91) |

ALL NON-BRACKETED DIMENSIONS ARE IN INCHES, ALL BRACKETED DIMENSIONS ARE IN MILLIMETERS.



NOTE: Installed by hollow metal manufacturers or installed on the job before frame is set. Serves as mortar shield for Hager electric hinges.

HAGER RESERVES THE RIGHT TO MAKE DESIGN CHANGES WITHOUT NOTICE. CALL HAGER ENGINEERING AT 1-800-325-9995 FOR LATEST REVISION DATE OF TEMPLATE.

HAGER COMPANIES
139 VICTOR STREET
P.O. BOX 12300
ST. LOUIS, MISSOURI 63157-0300

Template No. T540