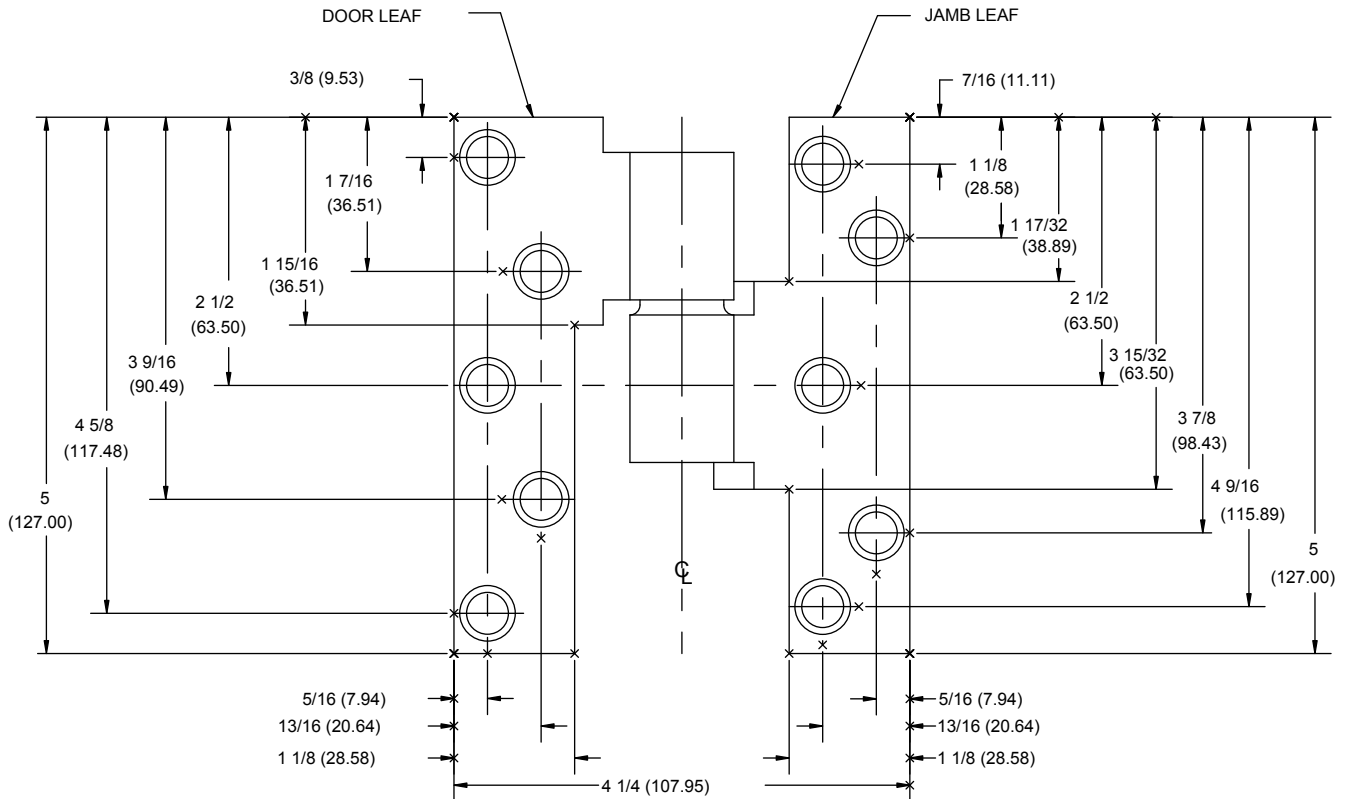
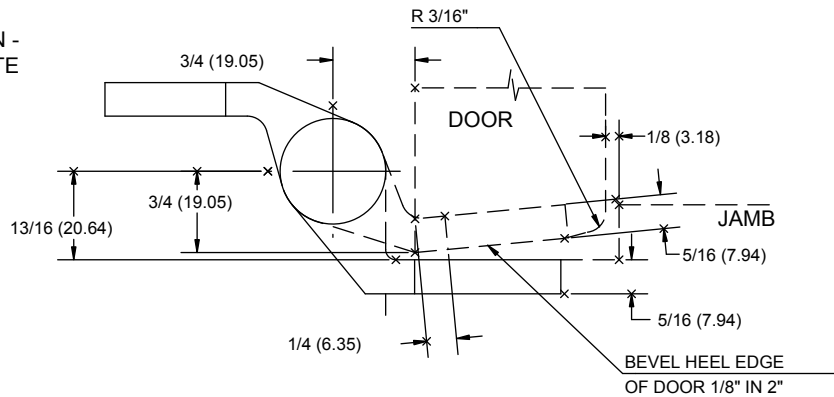


# HEAVY WEIGHT INTERMEDIATE PIVOT TEMPLATE HINGE

Template No. T 354  
Rev. '96



RIGHT HAND SHOWN -  
LEFT HAND OPPOSITE



-DO NOT SCALE-

CATALOG NUMBER	MATERIAL
496	BRONZE

ALL NON-BRACKETED DIMENSIONS ARE IN INCHES, ALL BRACKETED DIMENSIONS ARE IN MILLIMETERS.



Machine Screw Size- 1/4-20 x 5/8" F.H.  
Wood Screw Size- No. 14 x 1 1/2" F.H.

HAGER RESERVES THE RIGHT TO MAKE  
DESIGN CHANGES WITHOUT NOTICE. CALL  
HAGER ENGINEERING AT 1-800-325-9995  
FOR LATEST REVISION DATE OF TEMPLATE.

**HAGER COMPANIES**  
139 VICTOR STREET  
P.O. BOX 12300  
ST. LOUIS, MISSOURI 63157-0300

Template No. T 354