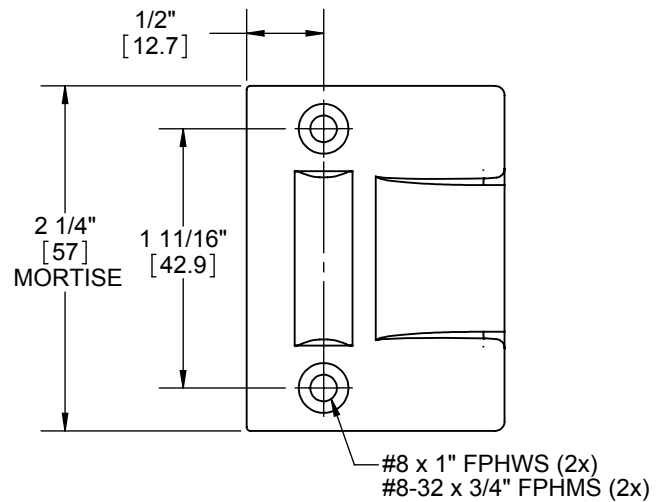
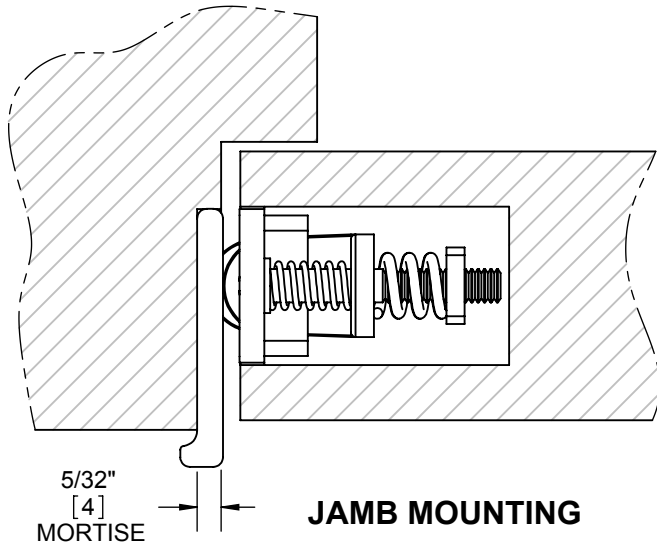
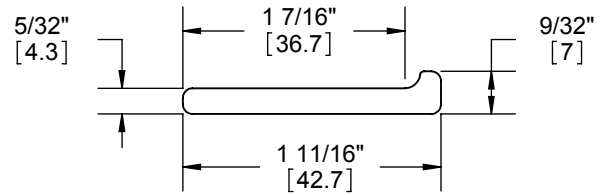
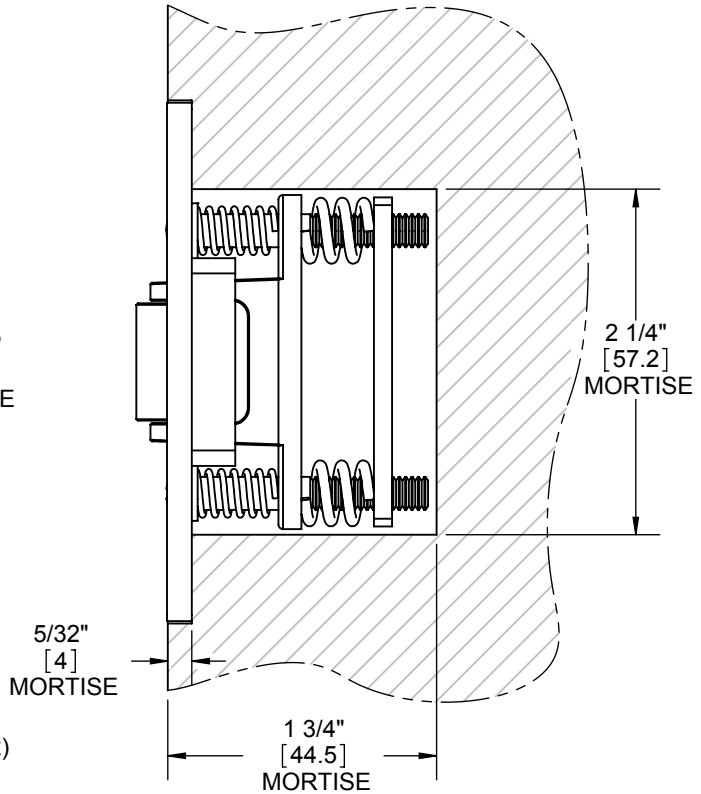
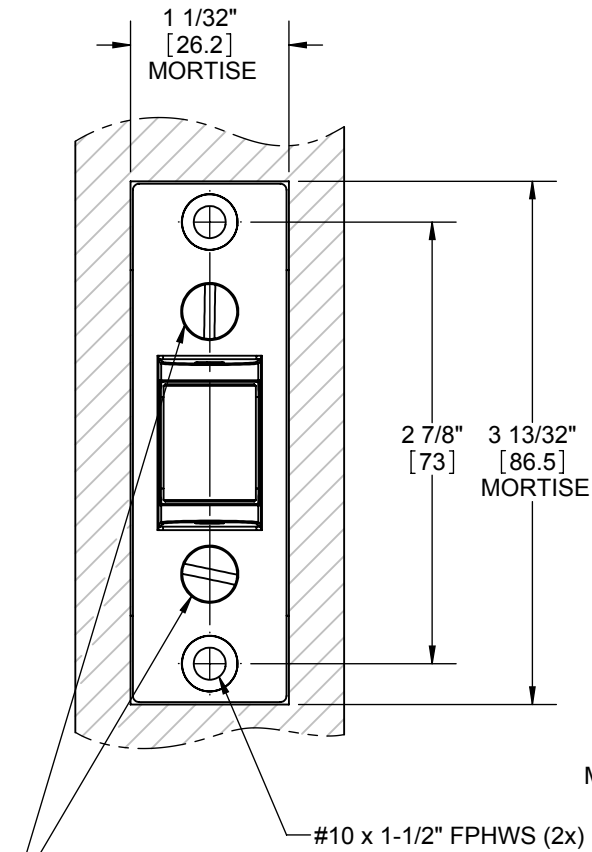


1442 ROLLER LATCH WITH FULL LIP STRIKE DOOR & FRAME PREP TEMPLATE



NOTE: HAGER RESERVES THE RIGHT TO MAKE PART CHANGES AND IS NOT RESPONSIBLE FOR OBSOLETE DRAWING ERRORS. TO ENSURE YOUR DRAWING IS CURRENT VISIT WWW.HAGERCO.COM.



NOT TO SCALE

DIMENSIONS IN [] ARE IN MILLIMETERS

TEMPLATE NO: T1442

DRAWING NO: T-TA00130

REV: 02

SHEET 1 OF 1

HAGER COMPANIES 139 Victor Street, St. Louis, MO 63104 - (800) 325-9995 - Fax (800) 782-0149