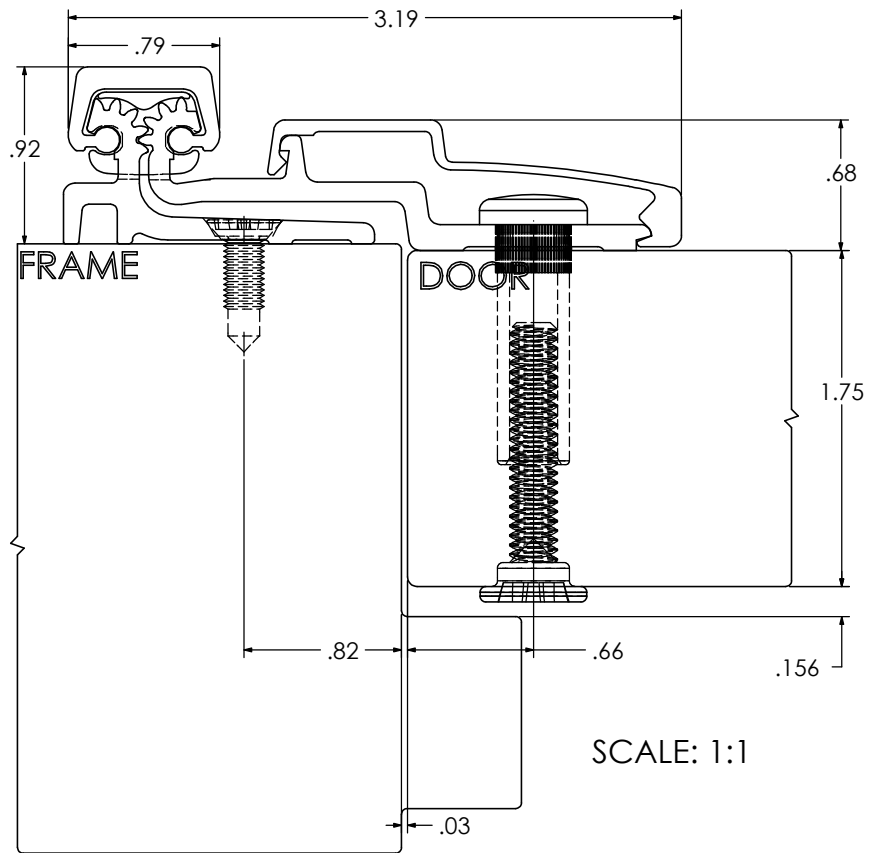
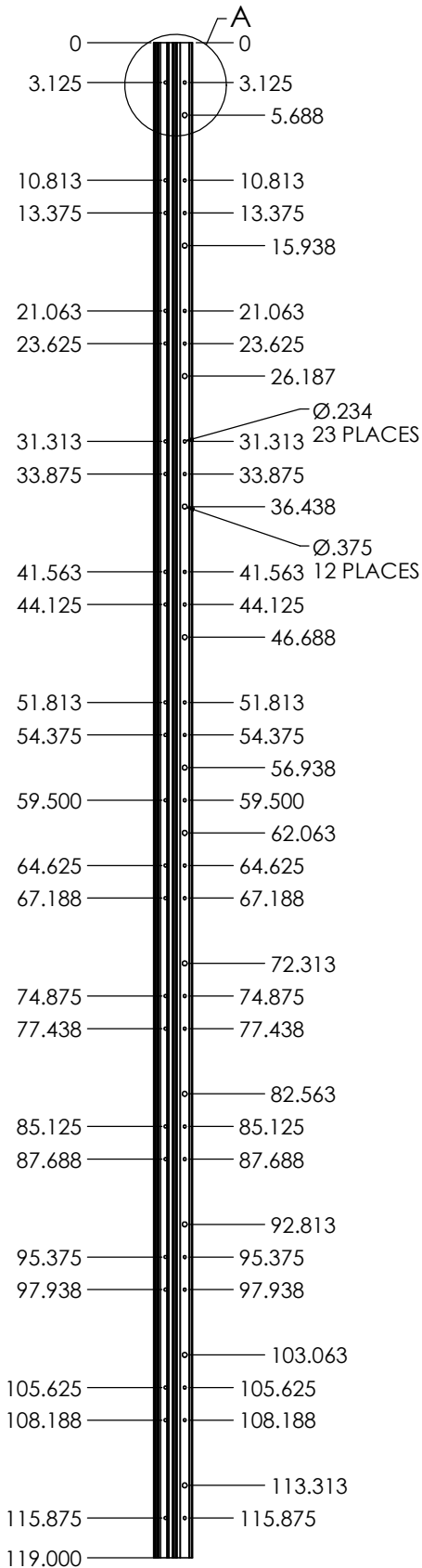


TEMPLATE FOR FULL SURFACE CONTINUOUS GEARED ALUMINUM HINGE



SCALE: 1:1

