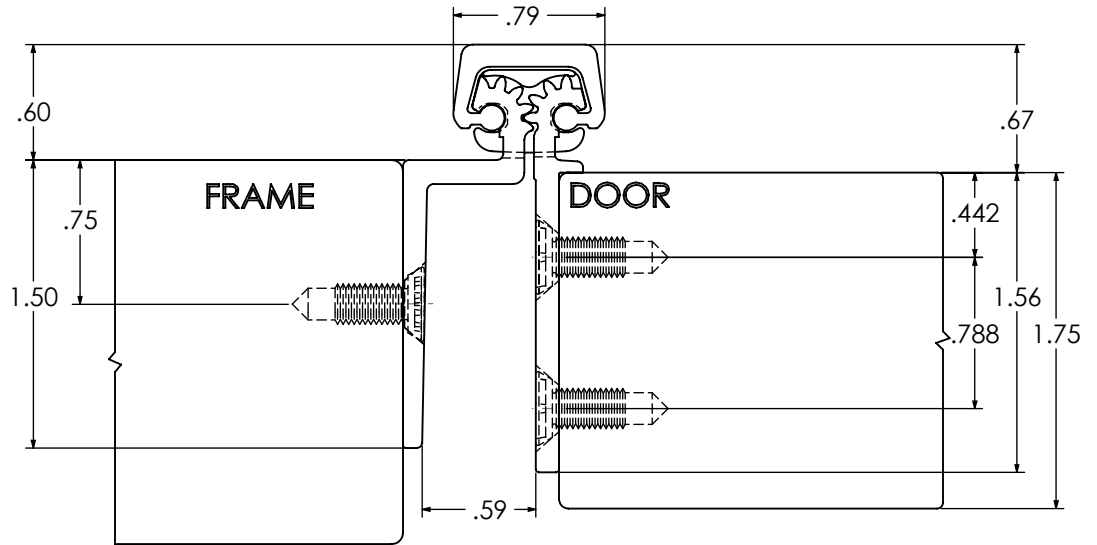
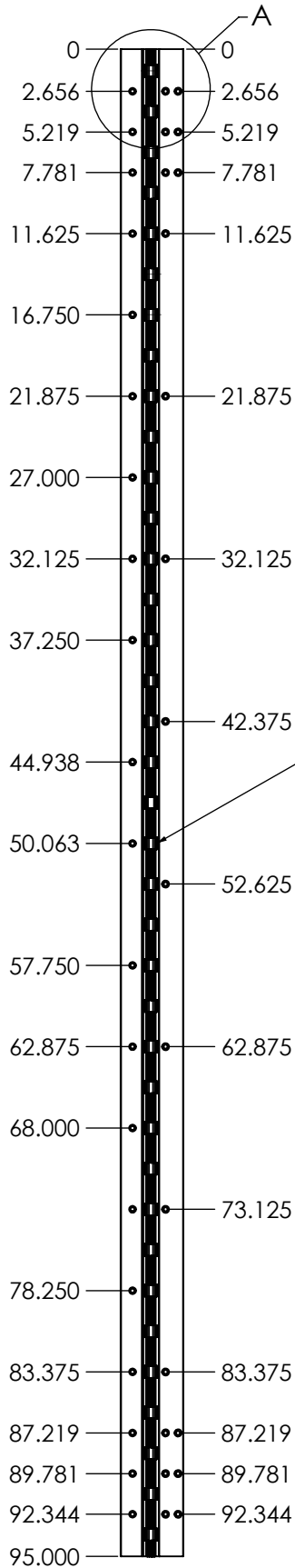
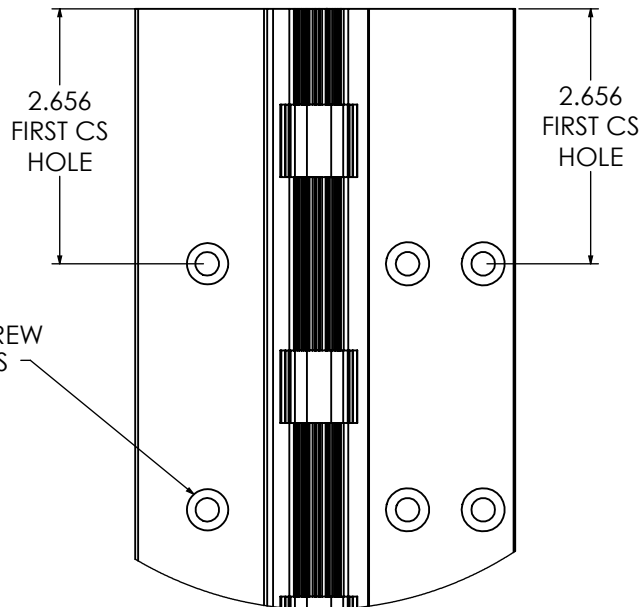


TEMPLATE FOR ROTON CONTINUOUS GEARED ALUMINUM HINGE



SCALE: 1:1

 BEARINGS
 37 PLACES

 #12 FLAT
 HEAD SCREW
 40 PLACES

 DETAIL A
 SCALE 1 : 2