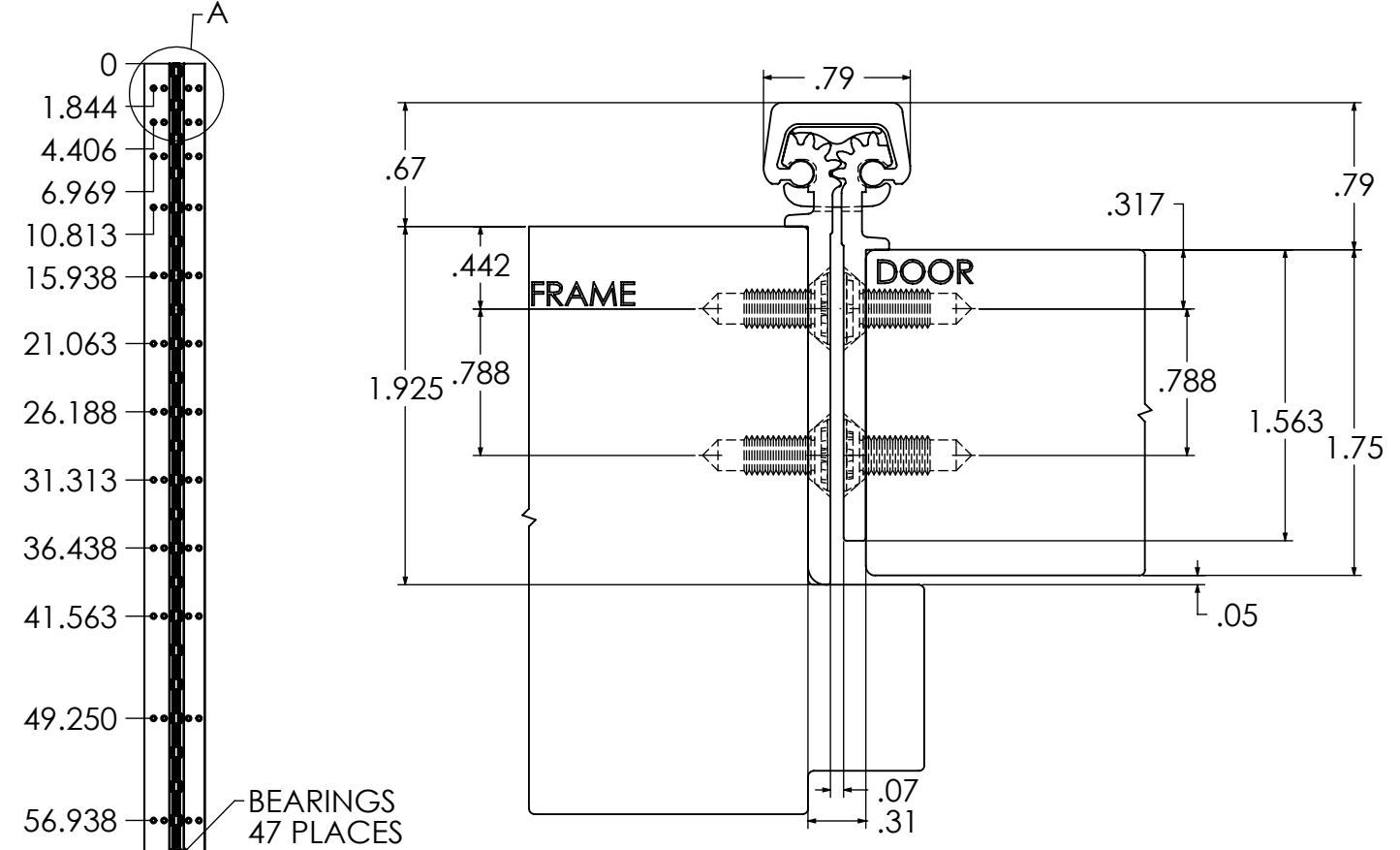


TEMPLATE FOR FULL MORTISE CONTINUOUS GEARED ALUMINUM HINGE

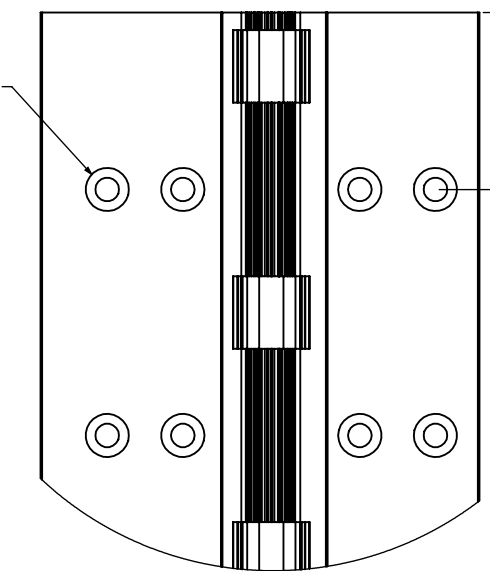


SCALE 1 : 1

BEARINGS
47 PLACES

#12 FLAT
HEAD SCREW
96 PLACES

1.844
FIRST
HOLES



DETAIL A
SCALE 1 : 2