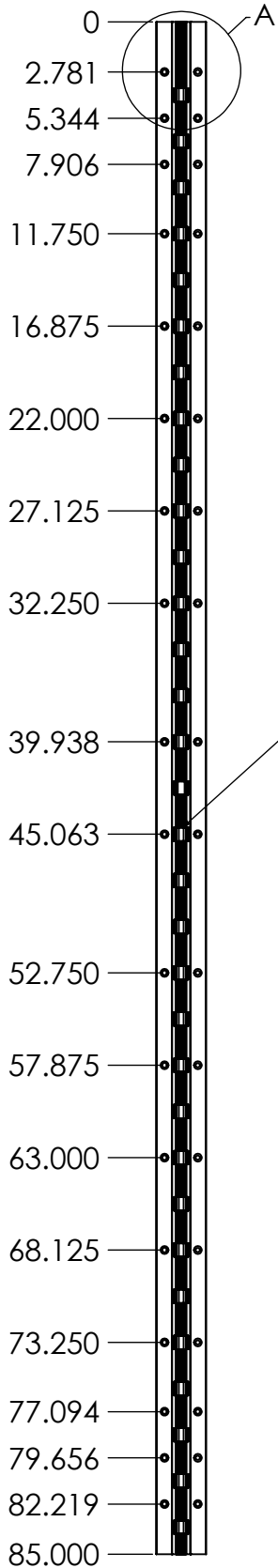
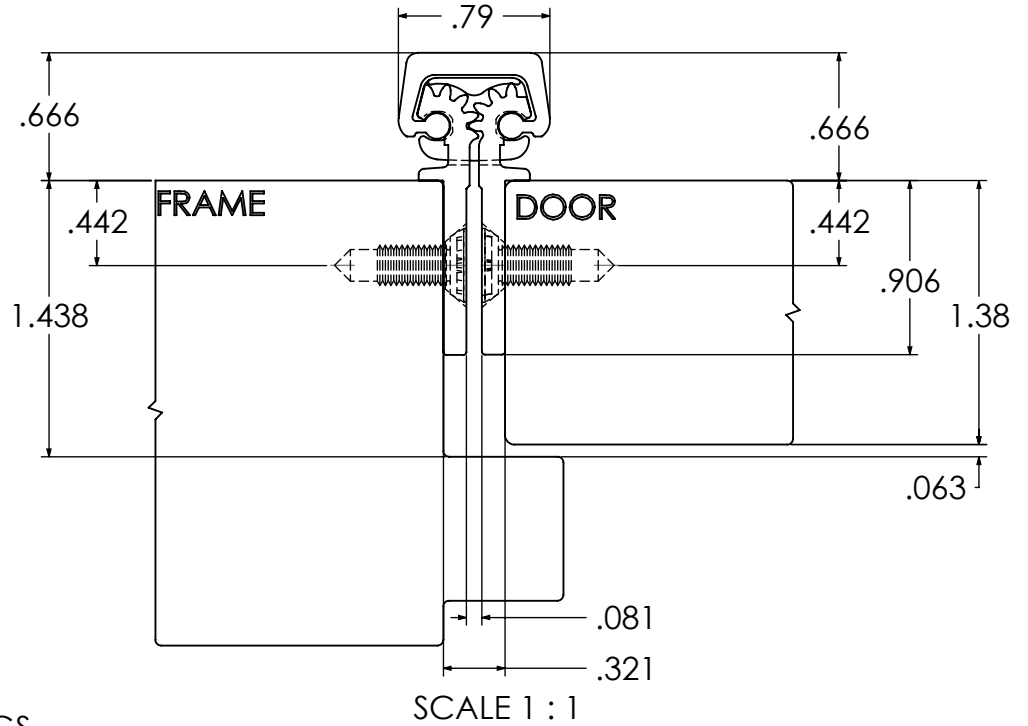


TEMPLATE FOR FULL MORTISE CONTINUOUS GEARED ALUMINUM HINGE



BEAINGS
32 PLACES



#12 FLAT
HEAD SCREW
36 PLACES

