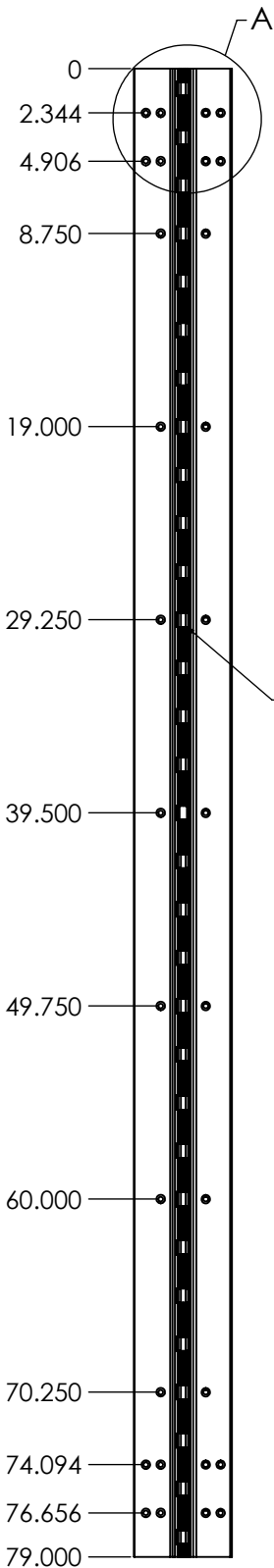
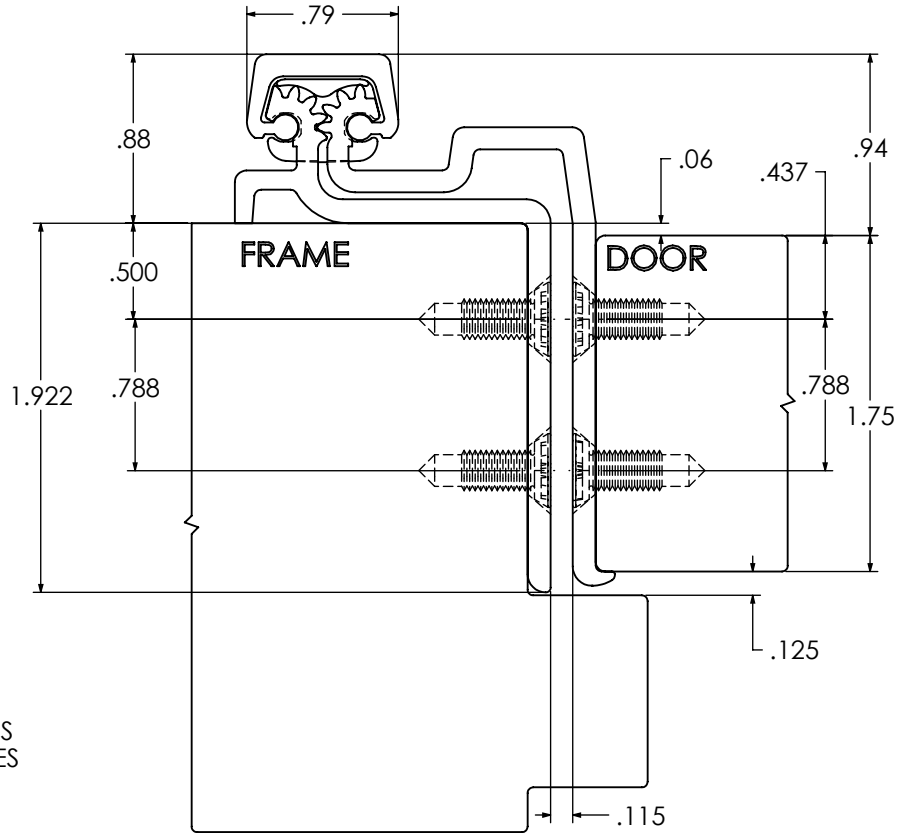


TEMPLATE FOR FULL MORTISE SWING CLEAR CONTINUOUS GEARED ALUMINUM HINGE

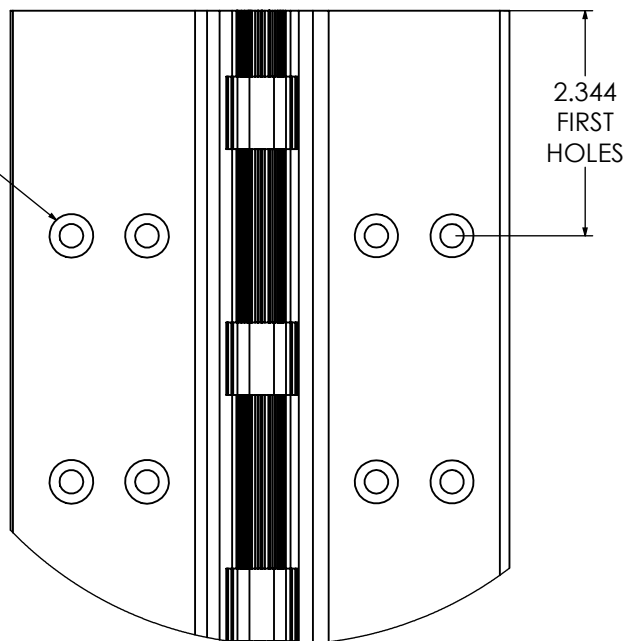


BEARINGS
31 PLACES

#12 FLAT HEAD SCREW
30 PLACES



SCALE 1 : 1



DETAIL A
SCALE 1 : 2