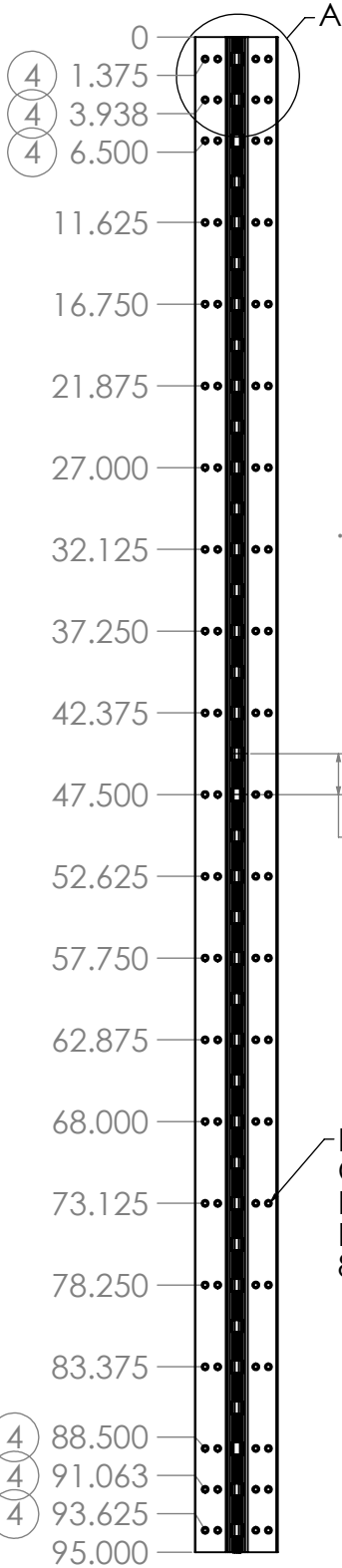
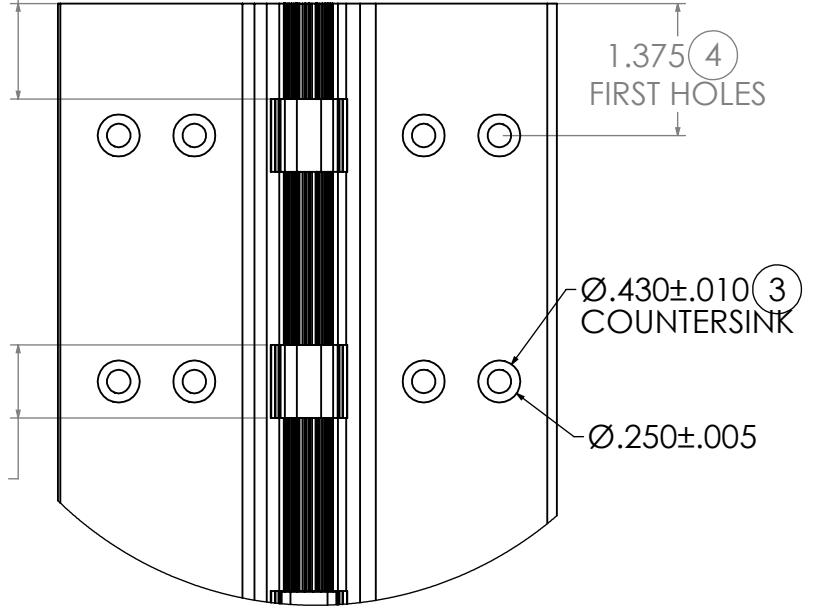




BEARING SLOT ALIGNMENT
FROM A TO B LEAF IS ±.005



.995
FIRST
BEARING



.760^{+.010}_{-.005} 3 5
BEARING SLOT
WIDTH

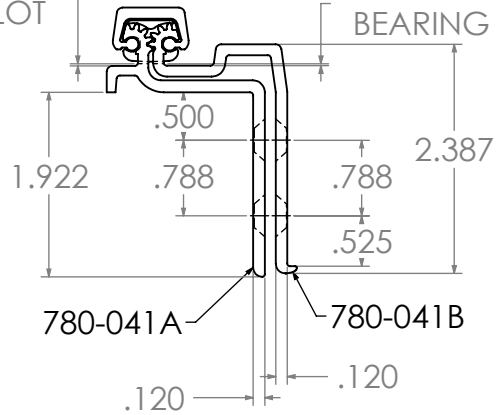
DETAIL A
SCALE 1 : 2

2.563±.015
CENTER TO CENTER
BEARING SPACING
37 PLACES

.021 BOTTOM OF
BEARING SLOT

.020 BOTTOM OF
BEARING SLOT

DRILL AND
COUNTERSINK (82°)
FOR A #12 FLAT
HEAD SCREW
84 PLACES



DETAIL A
SCALE 1 : 2

LEFT HAND SHOWN
RIGHT HAND OPPOSITE



PROPRIETARY &
CONFIDENTIAL
THE INFORMATION
CONTAINED IN THIS
DRAWING IS THE SOLE
PROPERTY OF HAGER
COMPANIES. ANY
REPRODUCTION IN
PART OR AS A WHOLE
WITHOUT THE WRITTEN
PERMISSION OF
HAGER COMPANIES IS
PROHIBITED.

REVISIONS				
REV.	DESCRIPTION	ECO NO.	BY	DATE
2	NEW HOLE PATTERN, CHANGE TOLERANCE	RT16015	KKJ	05/25/16
3	CHANGE SLOT WIDTH AND COUNTER SINK DEPTH	RT16065	KKJ	12/19/16
4	ALIGN 6 PACK WITH BEARINGS	RT17005	KKJ	06/06/17
5	CHANGE SLOT WIDTH TOLERANCE	RT18012	KKJ	07/18/18

TOLERANCE:
 UNLESS OTHERWISE SPECIFIED:
 X = ± .060"
 .XX = ± .030"
 .XXX = ± .015"
 ANGLE = ± 2°
 FRACTION = ± 1/32

REMOVE ALL BURRS
 BREAK SHARP EDGES .01 MAX

DRAWN BY: SDC DATE: 10/25/96
 WEIGHT: 6.30 LBS, SCALE: 1:12

DESCRIPTION:
**OLD STYLE
 780-041 LEAD LINE
 ROTON HINGE
 95" LONG**

DRAWING NO. 780-041-LL-95
 REV. 5