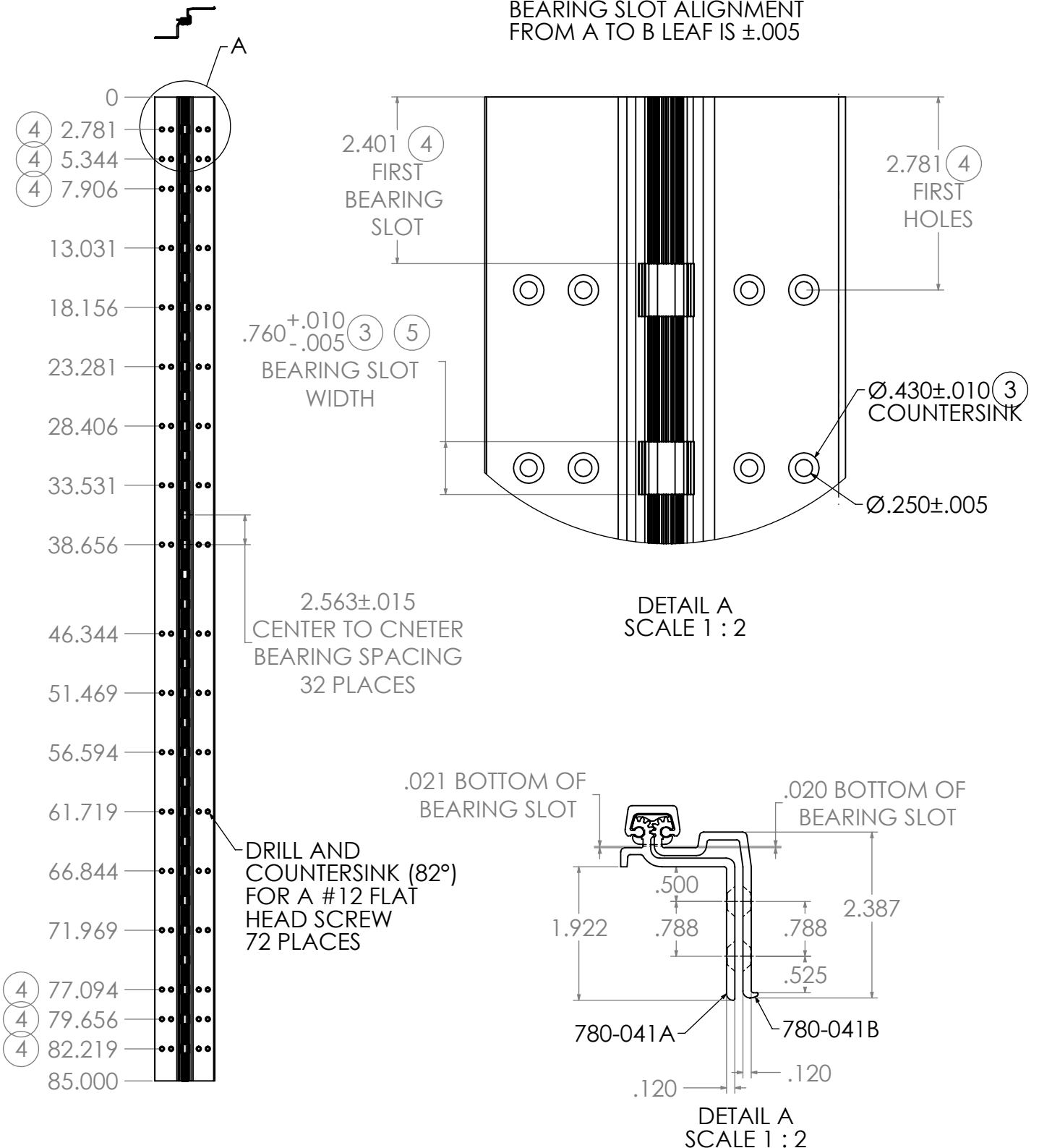


BEARING SLOT ALIGNMENT
FROM A TO B LEAF IS ±.005



LEFT HAND SHOWN
RIGHT HAND OPPOSITE



PROPRIETARY & CONFIDENTIAL
THE INFORMATION CONTAINED IN THIS DRAWING IS THE SOLE PROPERTY OF HAGER COMPANIES. ANY REPRODUCTION IN PART OR AS A WHOLE WITHOUT THE WRITTEN PERMISSION OF HAGER COMPANIES IS PROHIBITED.

REVISIONS				
REV.	DESCRIPTION	ECO NO.	BY	DATE
2	NEW HOLE PATTERN, CHANGE TOLERANCE	RT16015	KKJ	05/25/16
3	CHANGE SLOT WIDTH AND COUNTER SINK DEPTH	RT16065	KKJ	12/19/16
4	ALIGN 6 PACK WITH BEARINGS	RT17005	KKJ	06/06/17
5	CHANGE SLOT WIDTH TOLERANCE	RT18012	KKJ	07/18/18

TOLERANCE:
UNLESS OTHERWISE SPECIFIED:
X = ± .060"
.XX = ± .030"
.XXX = ± .015"
ANGLE = ± 2°
FRACTION = ± 1/32

REMOVE ALL BURRS
BREAK SHARP EDGES .01 MAX

DRAWN BY: SDC DATE: 10/25/96
WEIGHT: 5.63 LBS. SCALE: 1:12

DESCRIPTION:
**OLD STYLE
780-041 LEAD LINE
ROTON HINGE
85" LONG**

DRAWING NO. **780-041-LL-85** REV. **5**