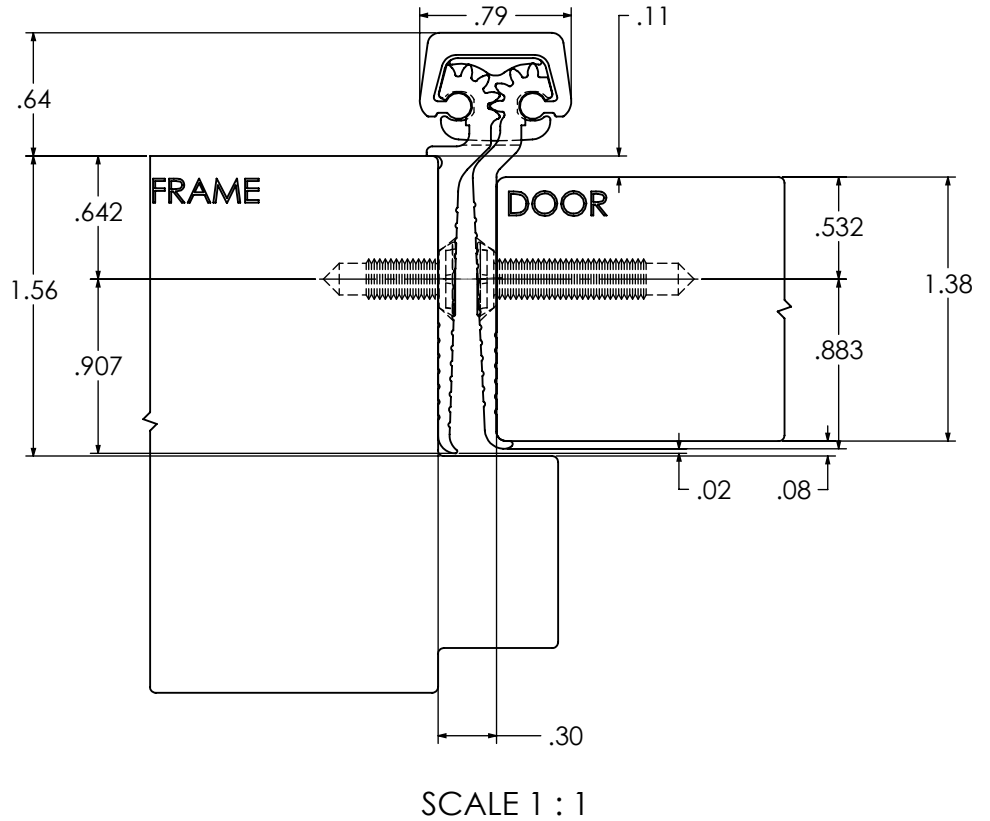
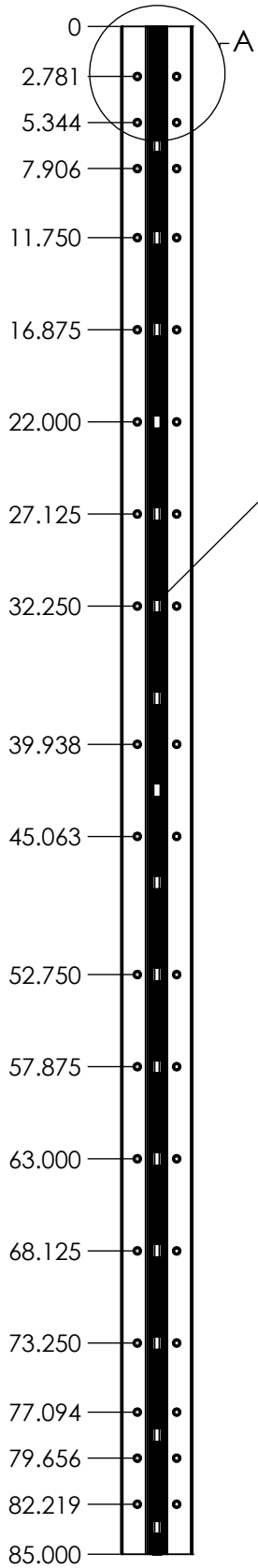


TEMPLATE FOR FULL MORTISE CONTINUOUS GEARED ALUMINUM HINGE



#12 FLAT HEAD SCREW  
36 PLACES

